

THIS DRAWING IS THE PROPERTY OF ANALOG DEVICES INC. IT IS NOT TO BE REPRODUCED OR COPIED, IN WHOLE OR IN PART, OR USED IN FURNISHING INFORMATION TO OTHERS, OR FOR ANY OTHER PURPOSE DETRIMENTAL TO THE INTERESTS OF ANALOG DEVICES. THE EQUIPMENT SHOWN HEREON MAY BE PROTECTED BY PATENTS OWNED OR CONTROLLED BY ANALOG DEVICES.

REVISIONS			
REV	DESCRIPTION	DATE	APPROVED
A	INITIAL RELEASE	22JUL21	
B	CHANGES AS PER ECR-104694	15SEP21	
B1	CHANGES AS PER ECR-105131	22OCT21	

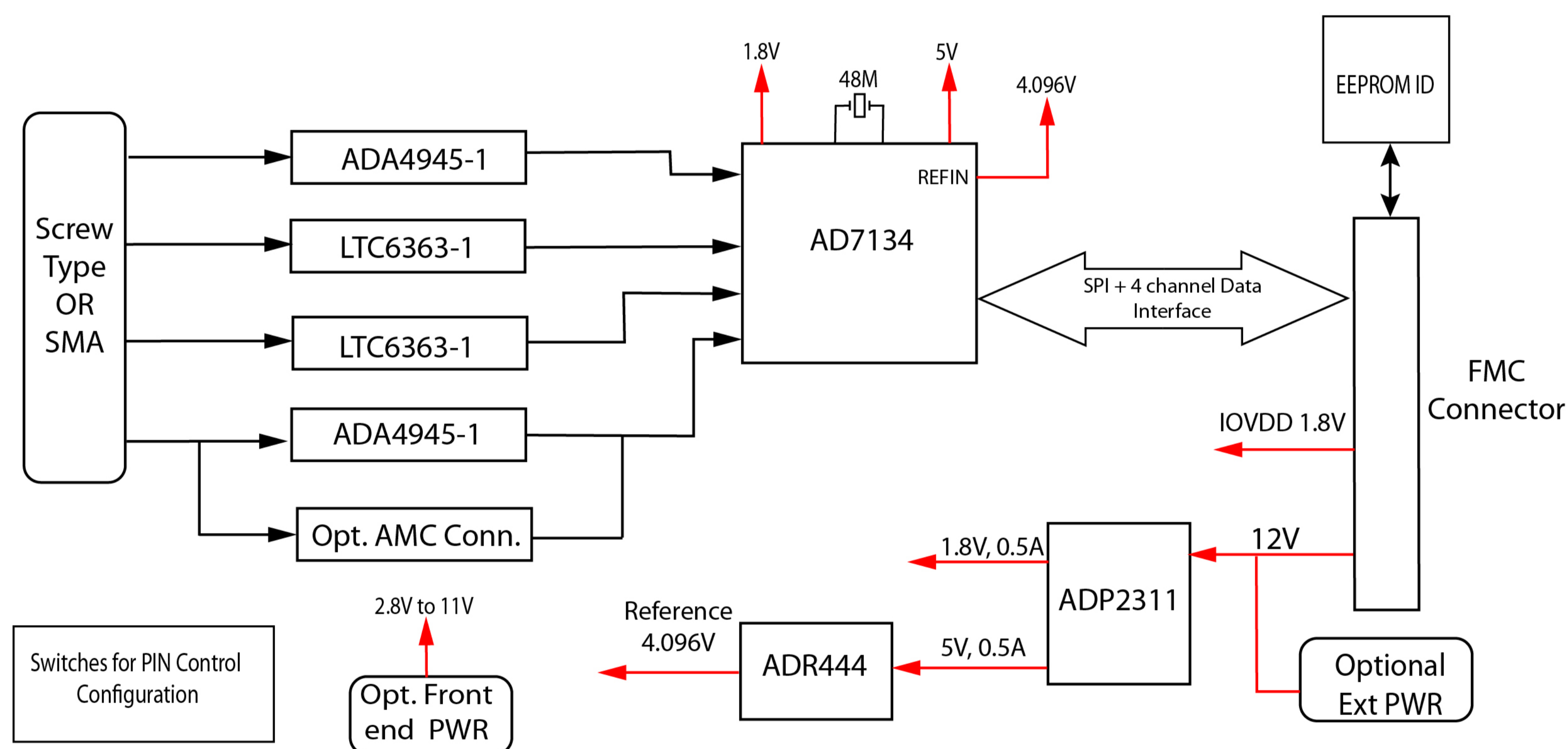
EVAL-AD4134FMCZ

PAGE 1 - BLOCK DIAGRAM AND INDEX

PAGE 2 - ADC MAIN PAGE

PAGE 3 - POWER, REFERENCE AND FMC CONN.

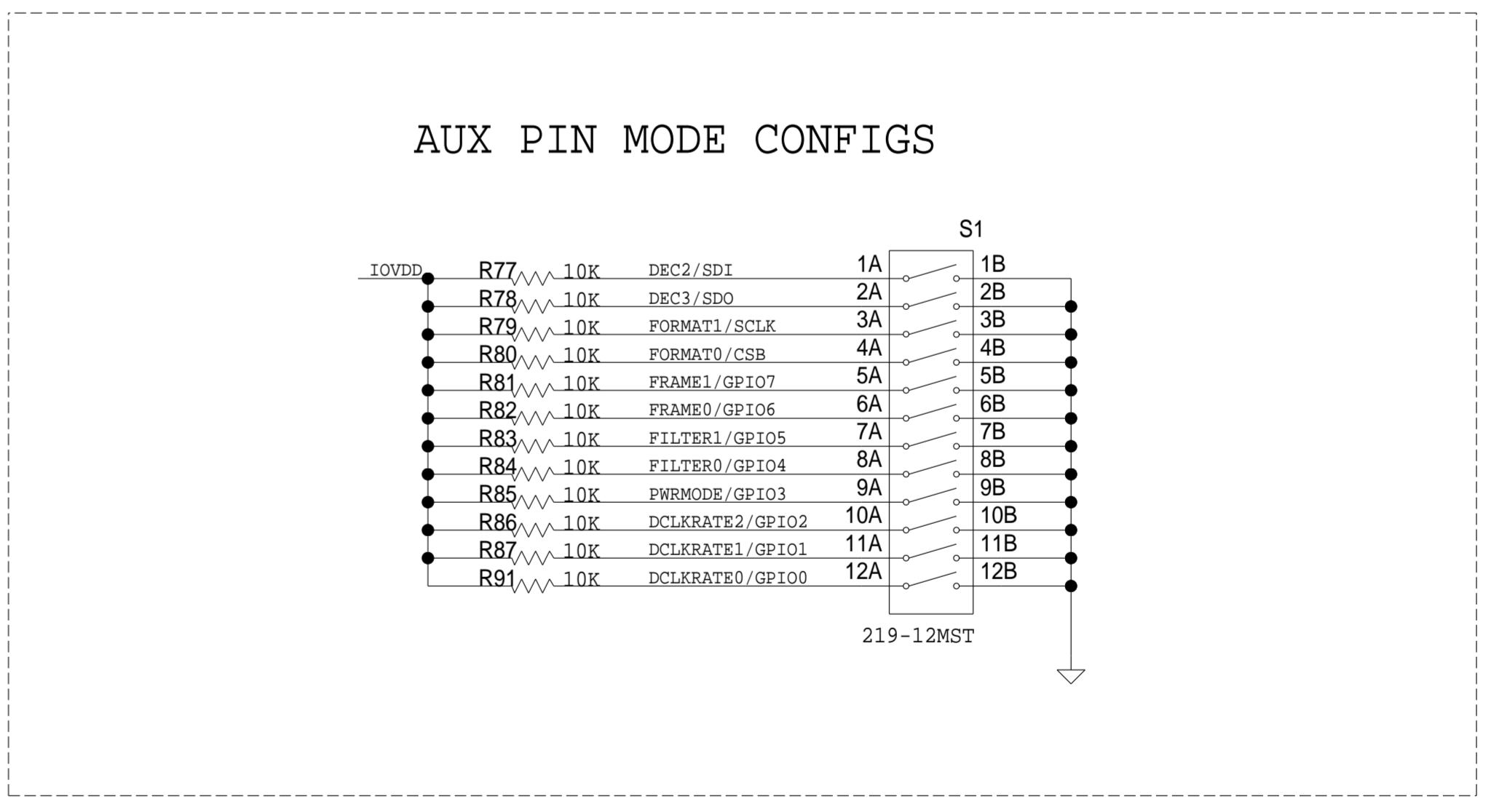
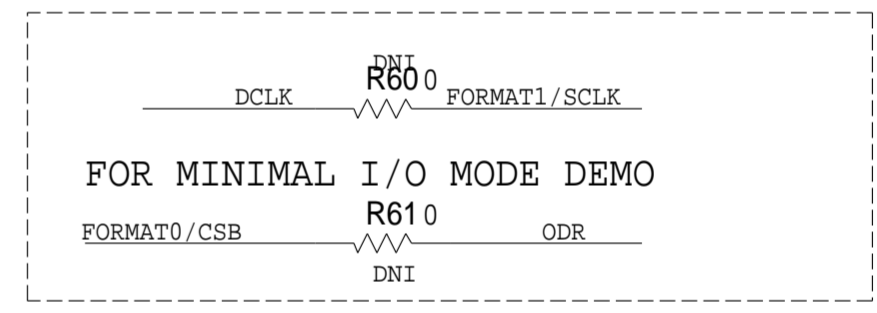
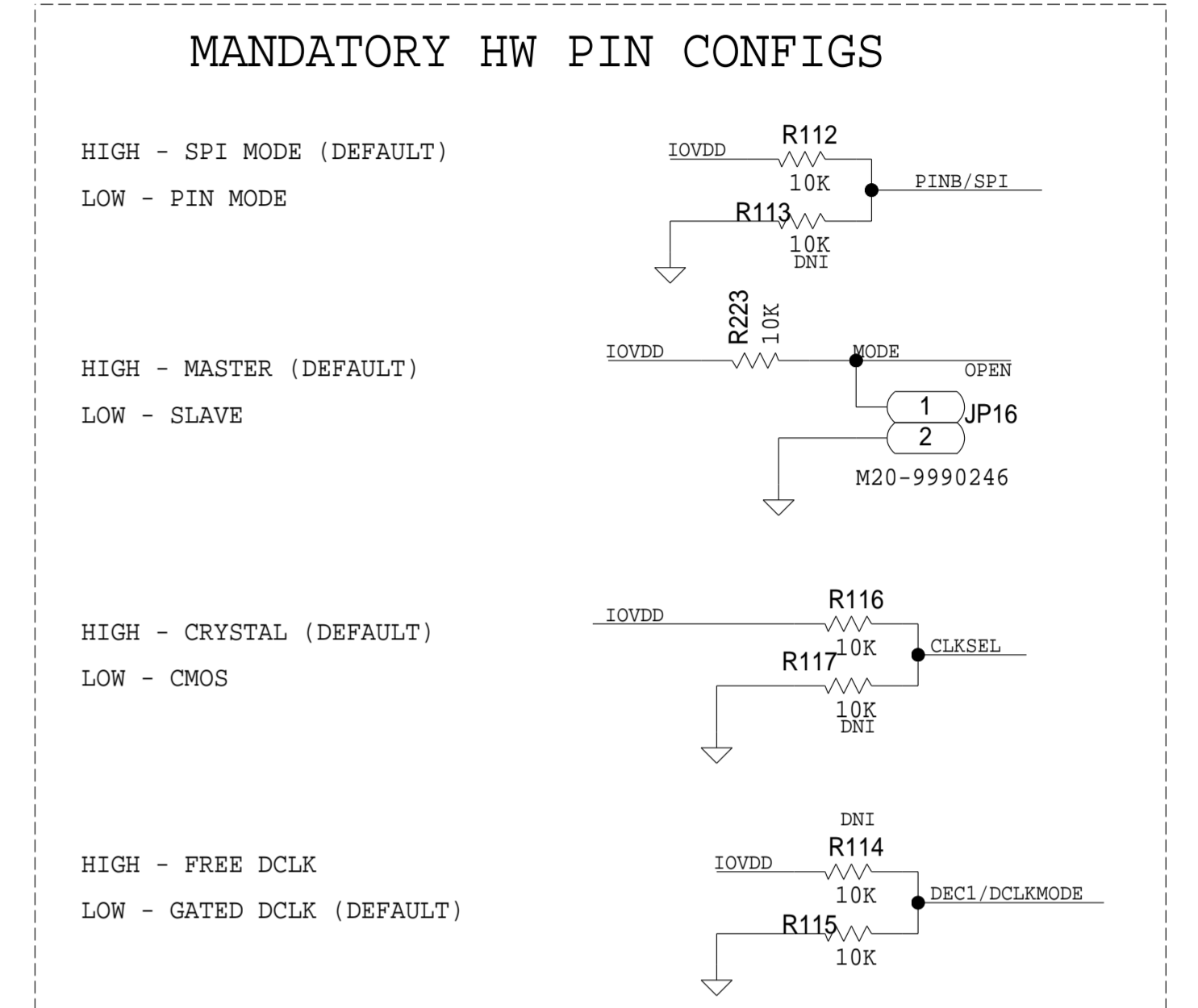
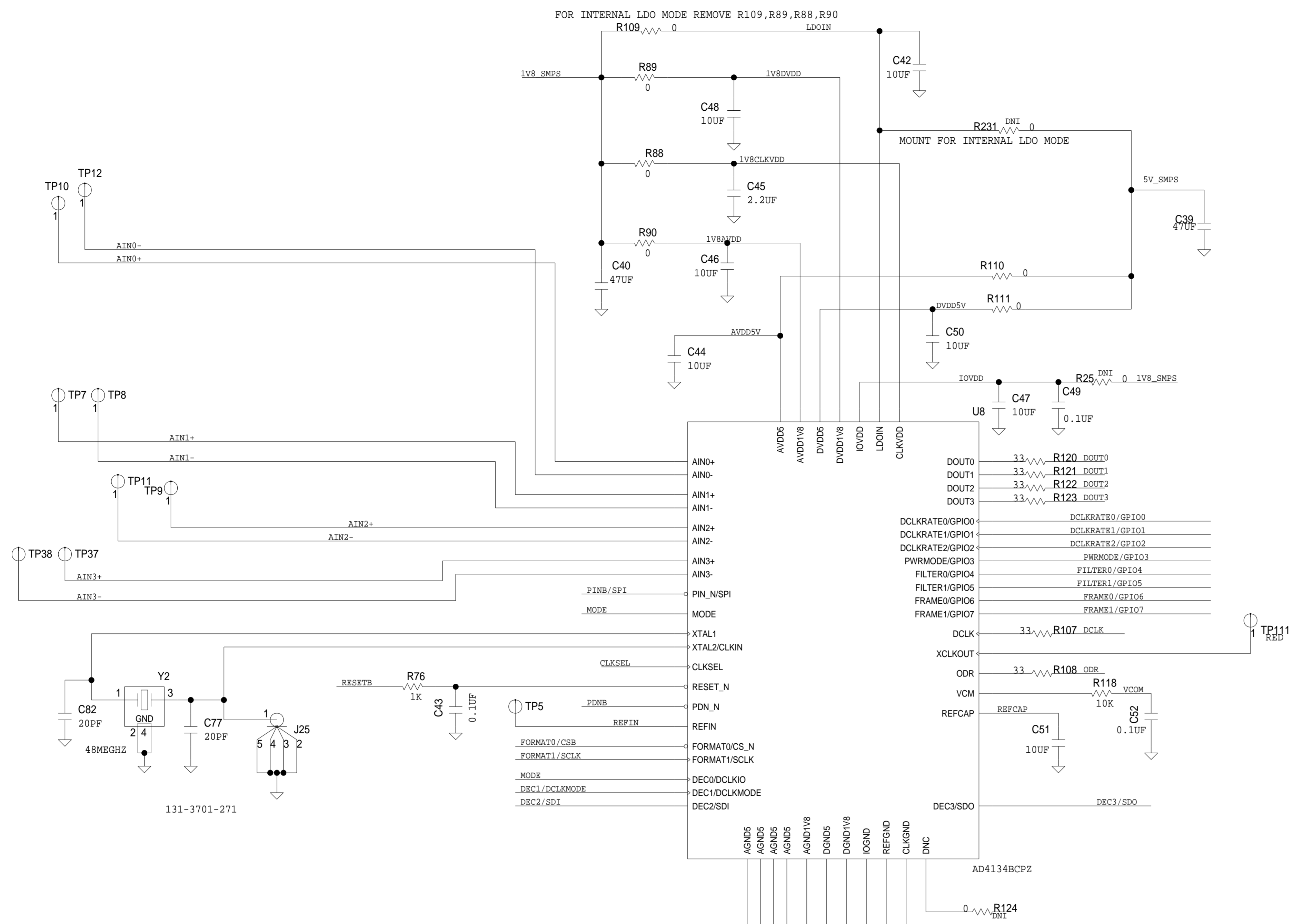
PAGE 4 - ANALOG INPUTS AND FRONT ENDS



P.O SPEC.	BK/BD SPEC.	SOCKET OEM	OEM PART#	HANDLER

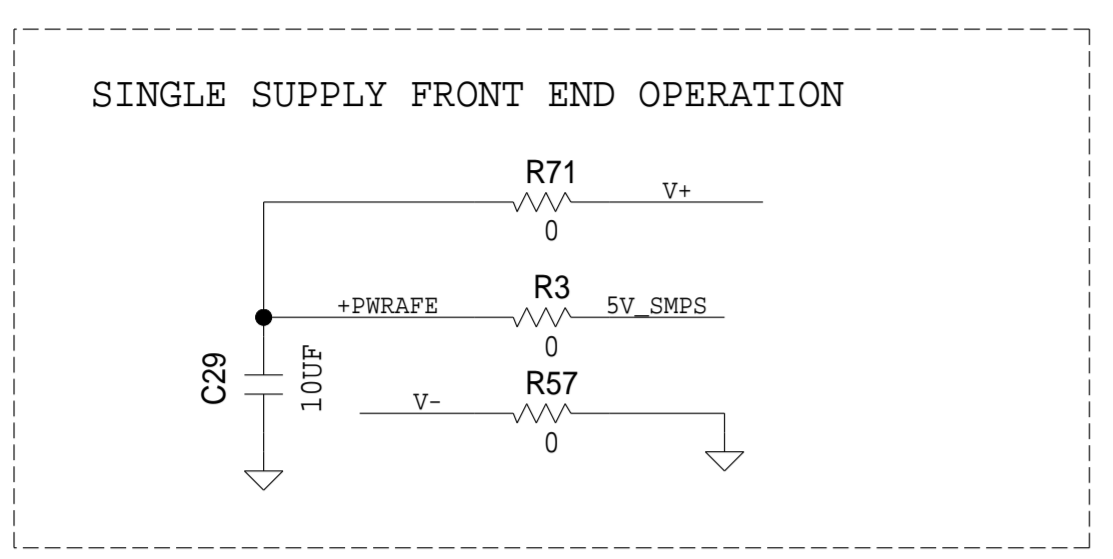
TEMPLATE ENGINEER -	DATE 22JUL21	SCHEMATIC		
HARDWARE SERVICES -	22JUL21			
HARDWARE SYSTEMS -		HW TYPE : Customer Evaluation Z		
TEST ENGINEER -		Product(s) : AD4134		
COMPONENT ENGINEER -	22JUL21	: AD4134		
TEST PROCESS -		PACKAGE : LeadCount-lead 8X8_MM LFCSP-family		
HARDWARE RELEASE -	22JUL21	: Pitch-pitch StyleVendor Style		
DESIGNER -	22JUL21	MASTER PROJECT TEMPLATE TBD	TESTER TEMPLATE 066234_a	DRAWING NO. 02_067468
PTD ENGINEER -	22JUL21	UNLESS OTHERWISE SPECIFIED DIMENSIONS ARE IN INCHES		REV. B1
CHECKER -		TOLERANCES		SIZE D
		DECIMALS X.XX +0.010 X.XXX +0.005	FRACTIONS +1/32	ANGLES +2
		SCALE 1:1	CODE ID NO. CodeID	SHEET 1 OF 4

REVISIONS			
REV	DESCRIPTION	DATE	APPROVED

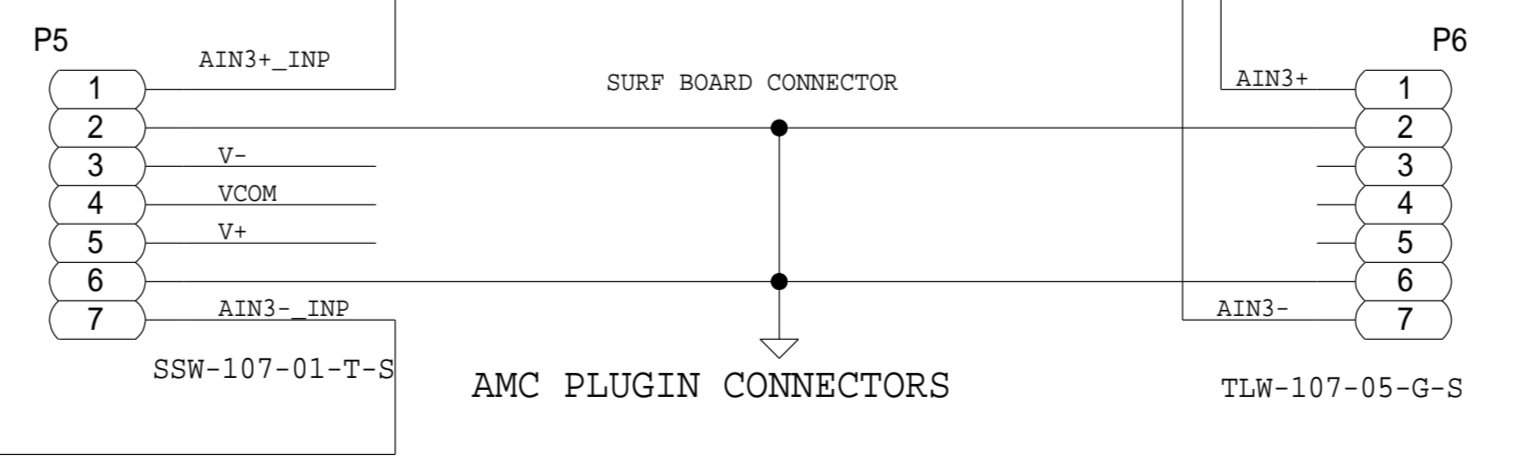
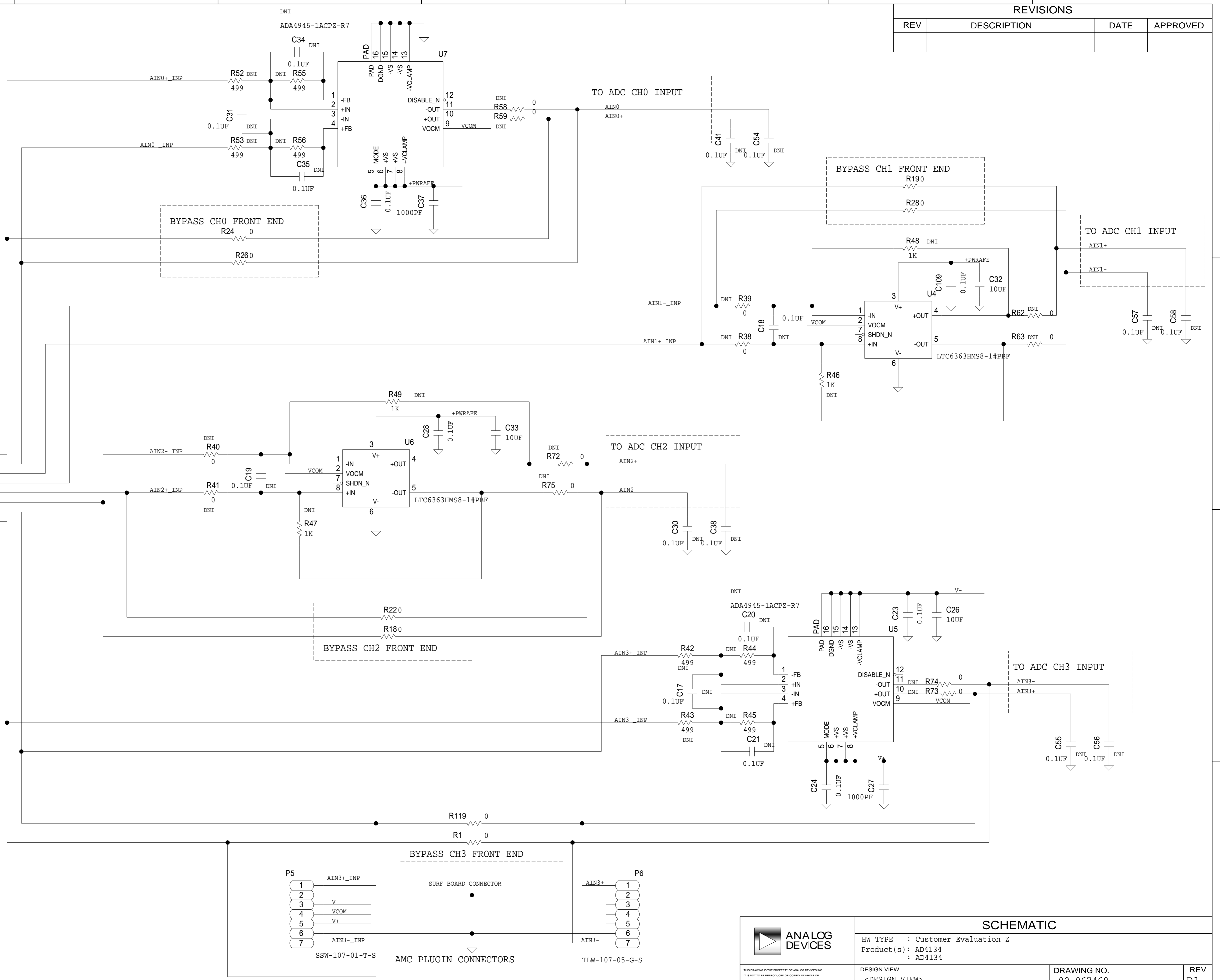
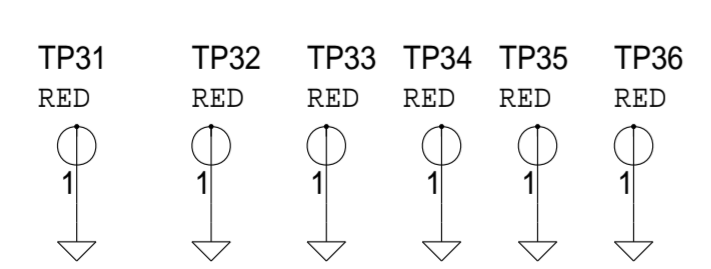
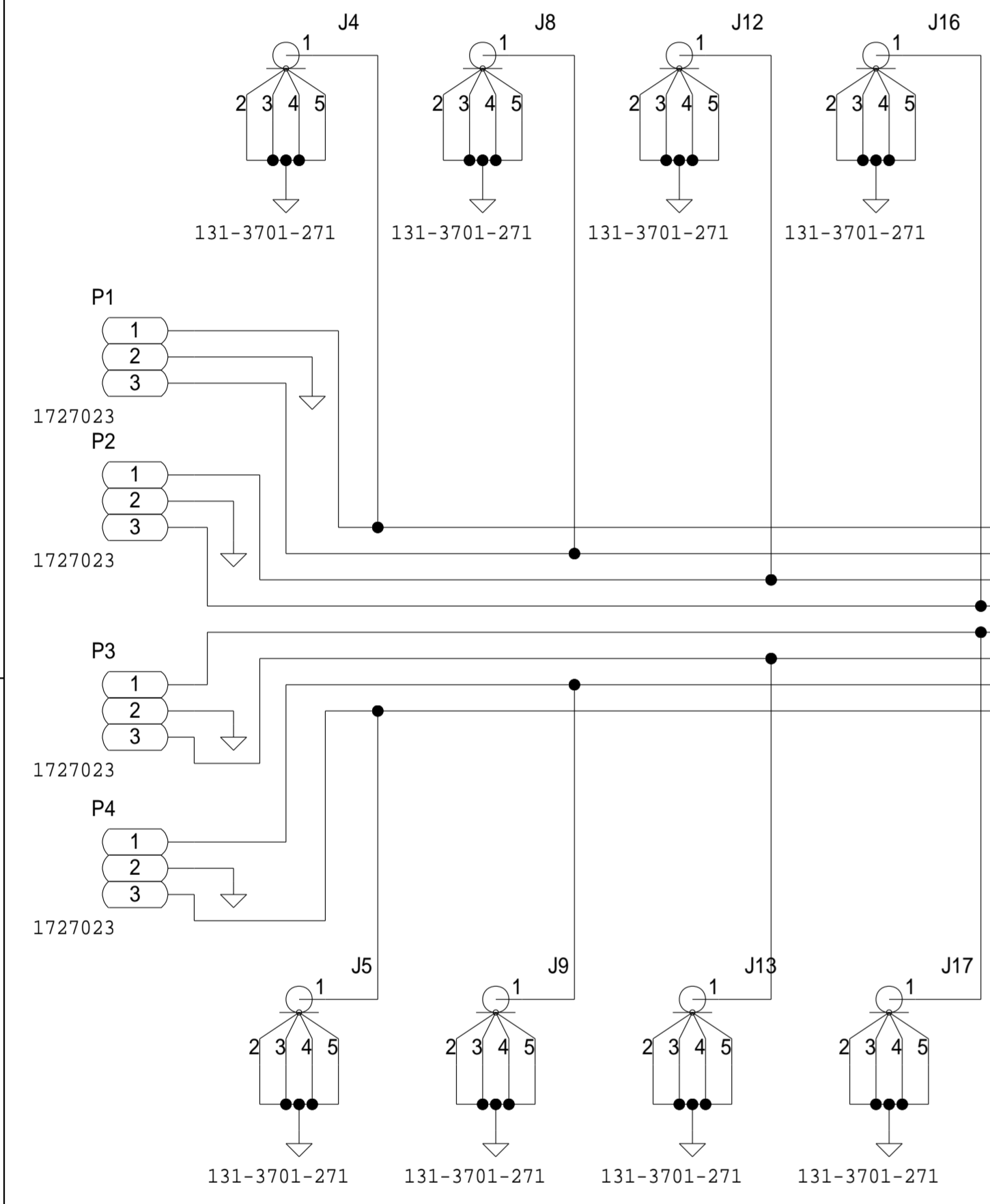


SCHEMATIC				
	HW TYPE : Customer Evaluation Z Product(s) : AD4134 : AD4134			
	DESIGN VIEW <DESIGN_VIEW>	DRAWING NO. 02_067468	REV B1	
PTD ENGINEER -	SIZE D	SCALE 1:1	SHEET 2 OF 4	

REVISIONS			
REV	DESCRIPTION	DATE	APPROVED



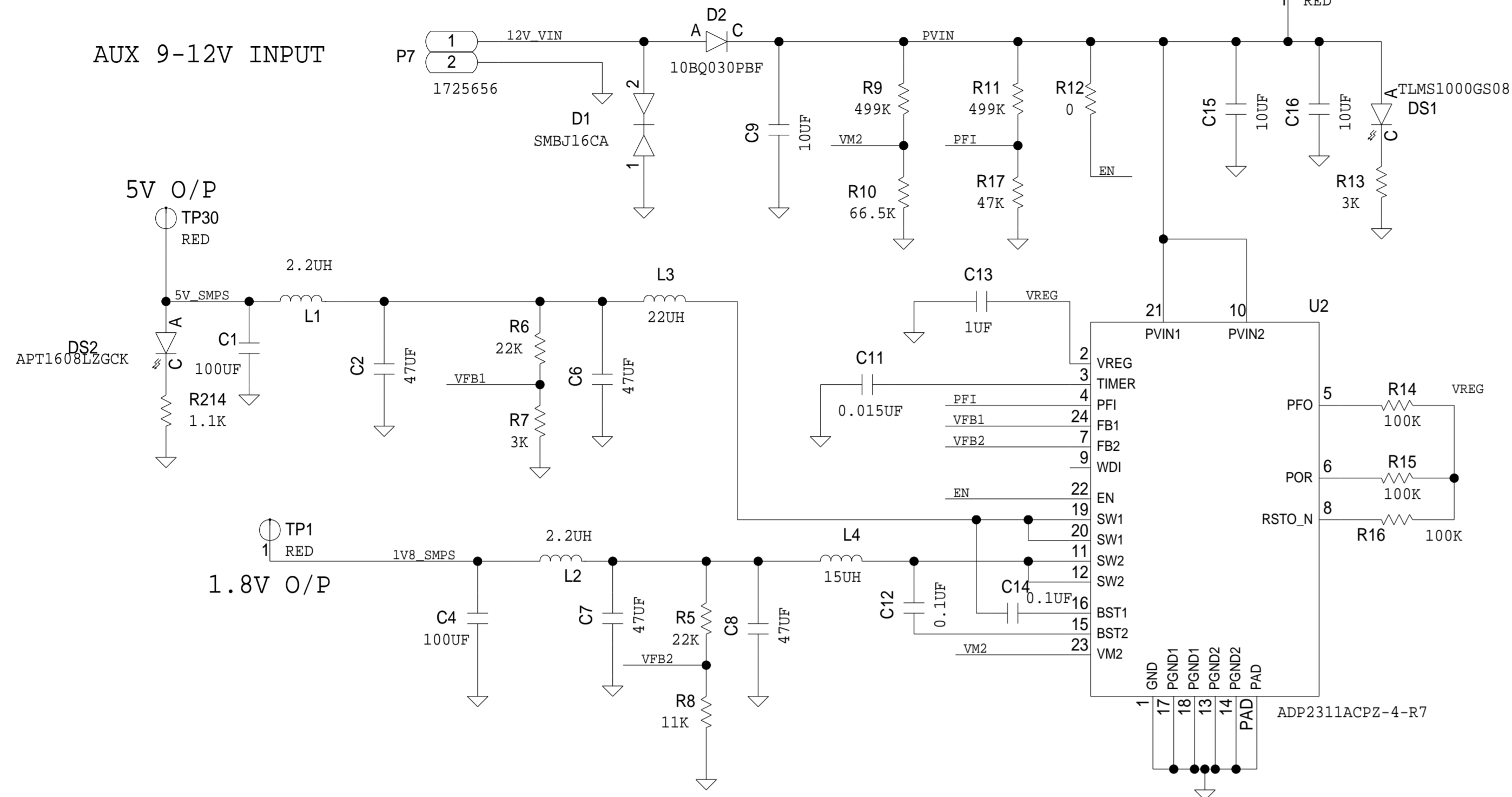
INPUT SIGNAL CONN.



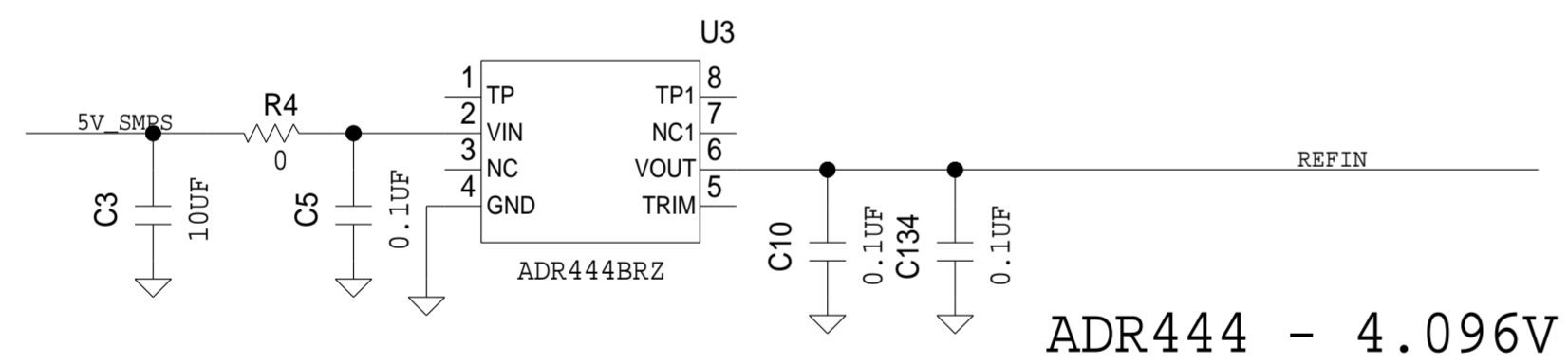
	SCHEMATIC		
	HW TYPE : Customer Evaluation Z Product(s) : AD4134 : AD4134		
DESIGN VIEW <DESIGN_VIEW>	DRAWING NO. 02_067468	REV B1	
PTD ENGINEER -	SIZE D	SCALE 1:1	SHEET 3 OF 4

THIS DRAWING IS THE PROPERTY OF ANALOG DEVICES INC. IT IS NOT TO BE REPRODUCED OR COPIED, IN WHOLE OR IN PART, OR USED IN FURNISHING INFORMATION TO OTHERS, OR FOR ANY OTHER PURPOSE DETRIMENTAL TO THE INTERESTS OF ANALOG DEVICES. THE EQUIPMENT SHOWN HEREON MAY BE PROTECTED BY PATENTS OWNED OR CONTROLLED BY ANALOG DEVICES.

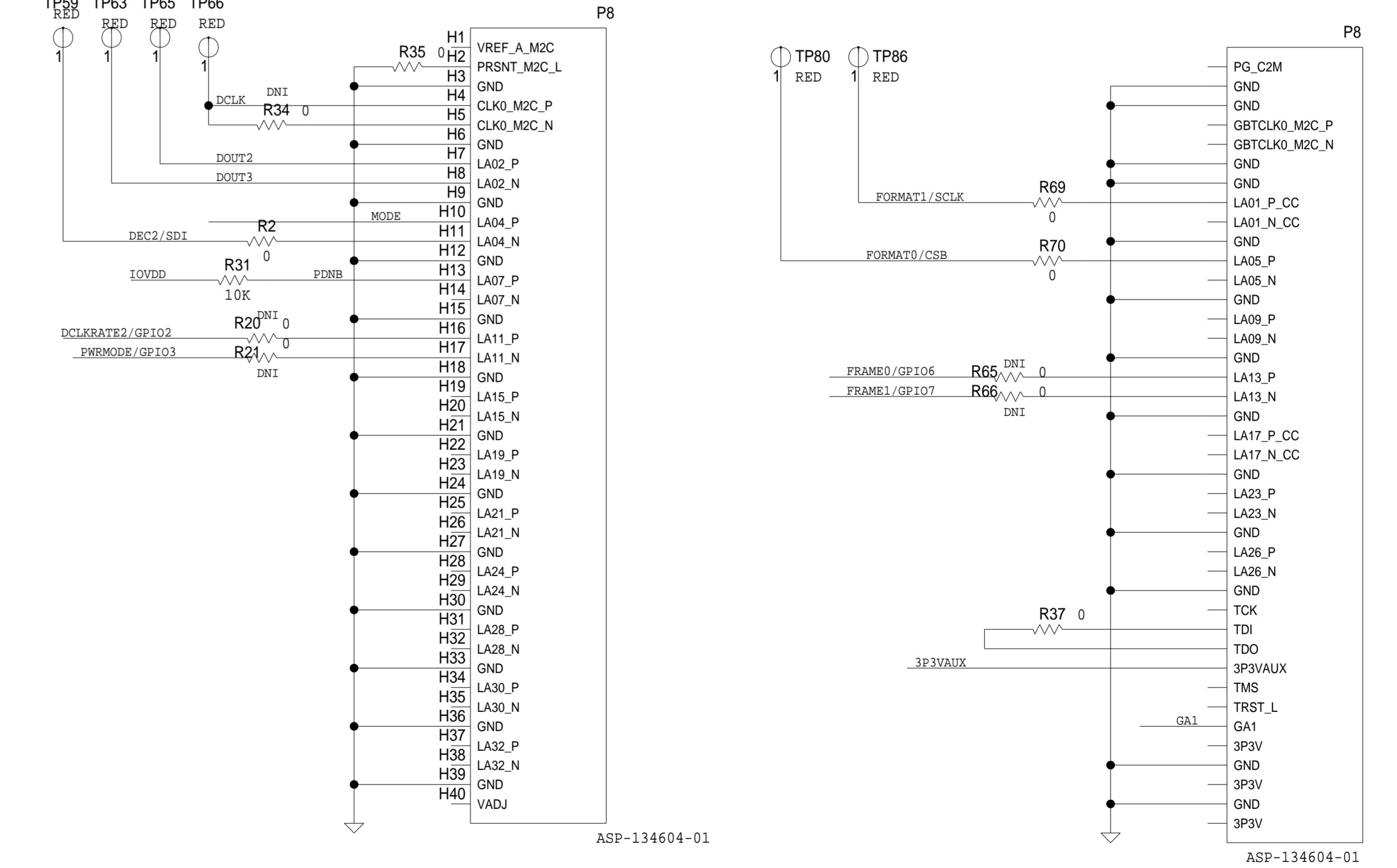
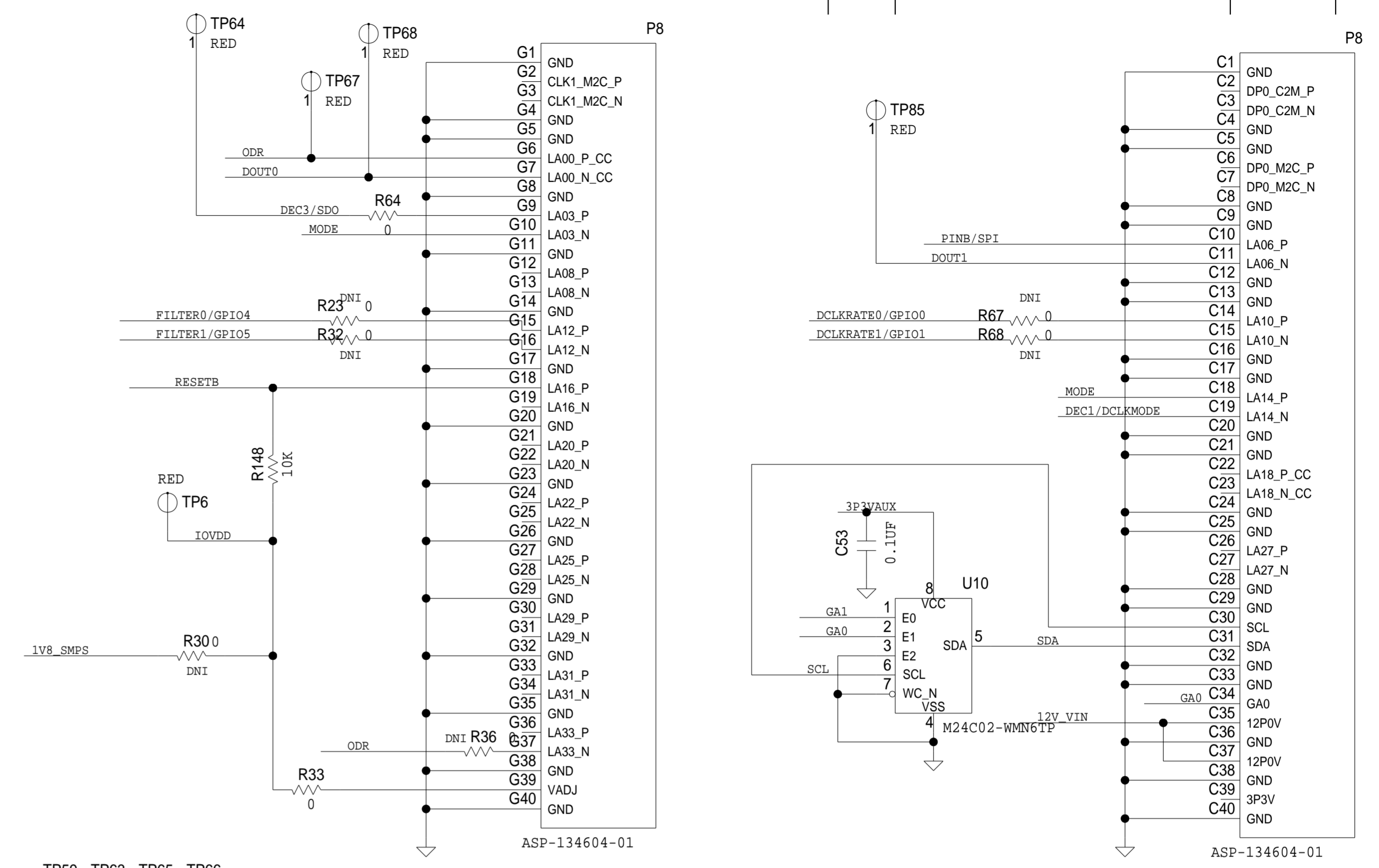
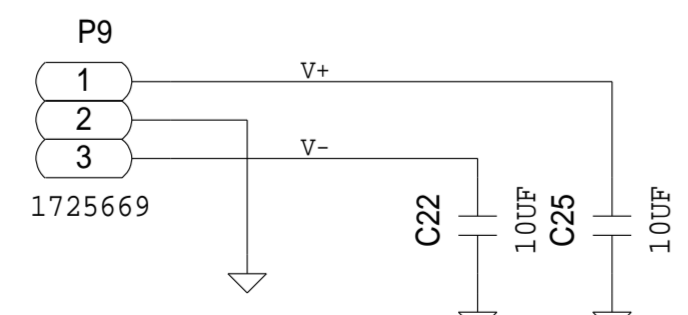
POWER SUPPLY



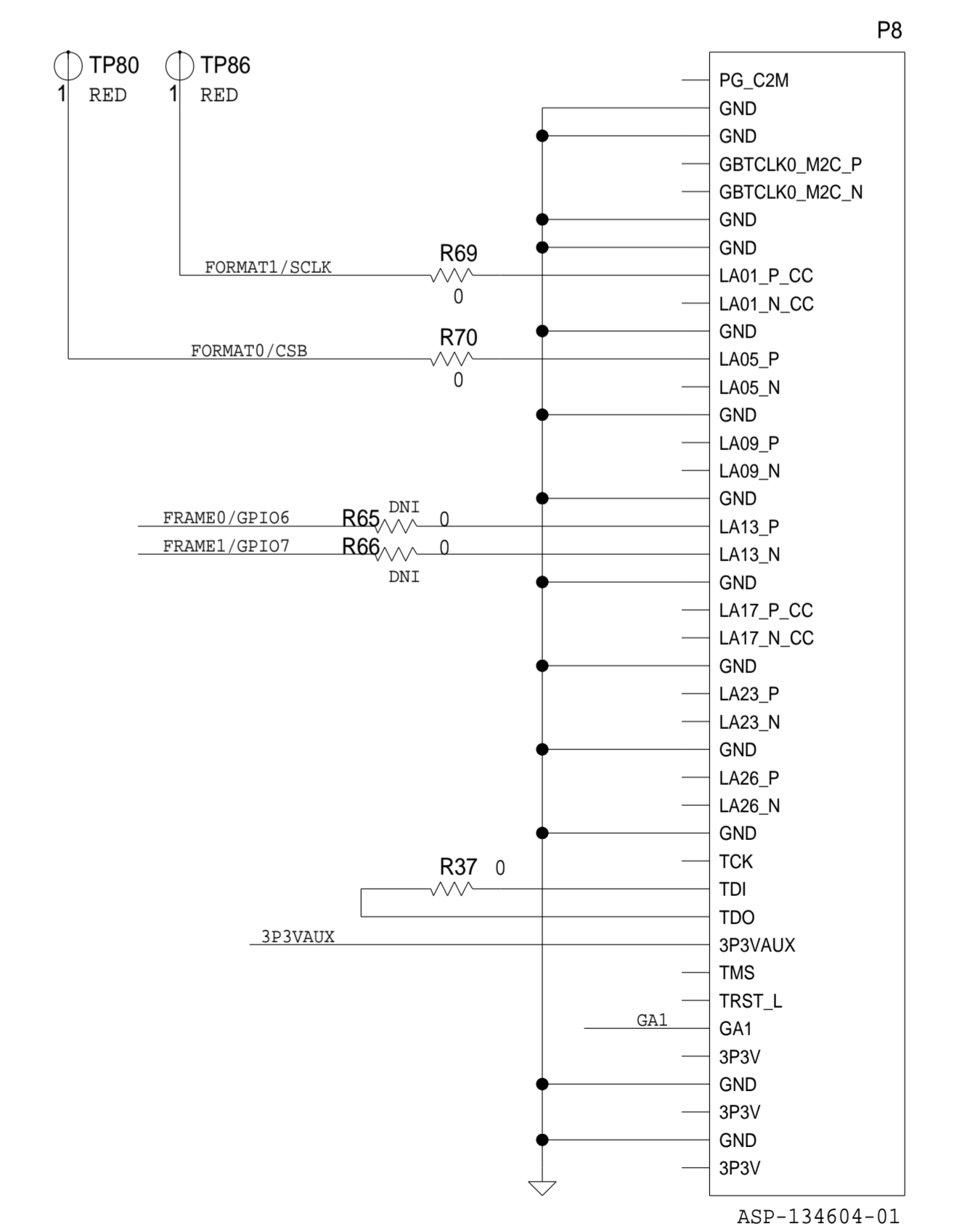
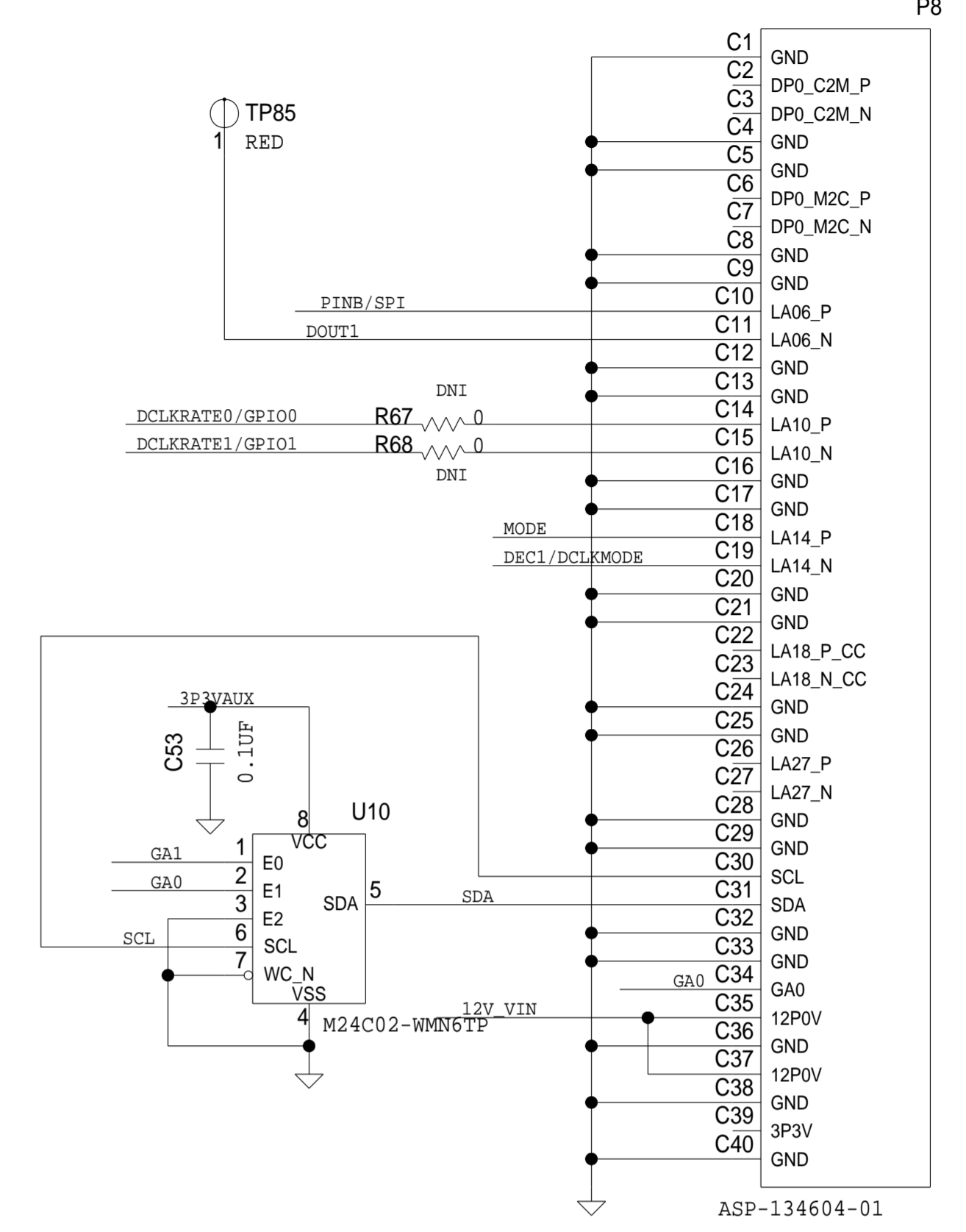
REFERENCE CIRCUIT



AUX FRONT END POWER CONN.



REVISIONS			
REV	DESCRIPTION	DATE	APPROVED



SCHEMATIC			
HW TYPE : Customer Evaluation Z Product(s) : AD4134 : AD4134		DRAWING NO. 02_067468	REV B1
DESIGN VIEW <DESIGN_VIEW>	PTD ENGINEER -	SCALE 1:1	SHEET 4 OF 4

ANALOG DEVICES
THIS DRAWING IS THE PROPERTY OF ANALOG DEVICES INC. IT IS NOT TO BE REPRODUCED OR COPIED, IN WHOLE OR IN PART, OR USED IN FURNISHING INFORMATION TO OTHERS, OR FOR ANY OTHER PURPOSE DETRIMENTAL TO THE INTERESTS OF ANALOG DEVICES. THE EQUIPMENT SHOWN HEREON MAY BE PROTECTED BY PATENTS OWNED OR CONTROLLED BY ANALOG DEVICES.