

Low Cost, Low Power Devices for HDSL Applications

by Ed Spence

HDSL OVERVIEW

Applications

The proliferation of ISDN (Integrated Services Digital Network) demonstrates the demand for high speed modems for transmission of data. HDSL (High Speed Digital Subscriber Line) is a transmission scheme that fills the gap between the 128 kbps ISDN and ADSL (Asynchronous Digital Subscriber Line). Chipsets already available from Analog Devices support ADSL transmission of video rate data into the home. Although HDSL cannot support this data rate, like ADSL, HDSL will provide high speed data transmission over existing twisted pair telephone lines. Unlike ADSL, HDSL transmits at the same rate upstream and downstream. T1 rates (US) specifies 1.544 Mbps over one or two pairs of copper line while E1 rates (Eur) call for 2.048 Mbps. HDSL modems available today support data transmission at these rates over two pair of copper wire, with equal data rates on both pairs. Single pair systems that can support the full data rate provide the system architecture with a pair gain of two. This has a more limited range and requires much more sophisticated DSP. HDSL systems do not require that the lines be matched; they can still transmit accurately with stubs present on the transmission line.

HDSL modems available today support data transmission at these rates over two pair of copper, with equal data rates on both pairs (i.e., 784 kbps on each pair for a T1 link; 1168 kbps for E1, although a few systems use three pairs at 768 kbps to carry an E1 rate).

A typical HDSL application might be the T1/E1 link between a cellular phone system basestation transceiver and the basestation controller; as well as a high speed modem for internet access and replacement for T1 lines. Another, especially popular in developing countries, is digital pair gain—increasing the number of users on a single loop.

There is another acronym around: "MDSL" (moderate speed) is a minor variation on HDSL; often half of a two pair HDSL system, to deliver lower rates.

MODULATION METHOD

Data transmitted on HDSL lines are coded with 2B1Q (2 Bits 1 Quaternary) coding. This PAM modulation method groups data bits into 2 bits per symbol, with each symbol represented by one of four power levels. The symbol rate is therefore 1/2 the bit rate. A sample 2B1Q waveform is shown in Figure 1.

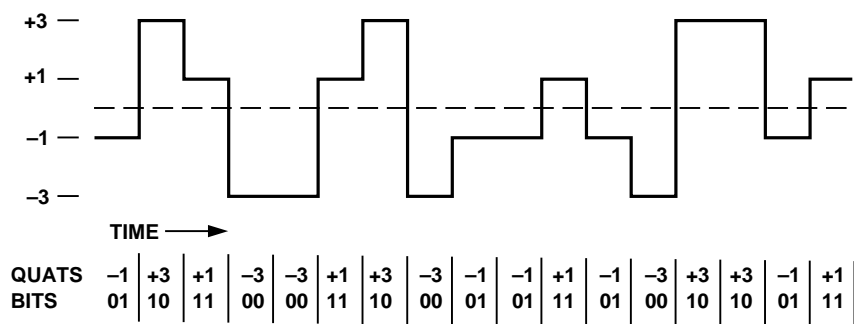


Figure 1. Example of 2B1Q Quaternary Symbols

BIT RATES

T1 rates specify 1.544 Mbps. This translates to a baud rate of 784 kbaud (symbols/second). The baud rate is not exactly a factor of 2 because of error correction bits added to data. The error correction supports adaptive equalization of the transmission line as well as 2nd order echo cancellation. Adaptive equalization is a DSP process that continuously tunes the digital filters to match conditions on the line. For two pair lines the symbols are transmitted over each twisted pair at equal rates; therefore the line transceiver circuitry must support 1/2 the modem baud rate.

POWER CONSTRAINTS

The remote modem at the user site is line powered, drawing power from the copper pair, making the power consumption of the modem critical.

BLOCK DIAGRAM/ FUNCTIONS

A functional block diagram of a generic HDSL modem is shown in Figure 2. The interface to the twisted pair is through a transformer “hybrid,” where an analog front end (AFE) circuitry drives and receives the PAM signal. Figure 3 shows the Analog Devices AD812 dual, 145 MHz operational amplifier used to drive the transformer differentially. The PAM signal is received from the encoder and applied to both amplifiers of the AD812. The dual configuration drives the signal differentially across the primary, where the voltage is stepped up by a factor of two on the twisted pair. This transmitted voltage is also sensed (divided down) and applied to one side of a differential amplifier, 1/4 of an OP467, an Analog Devices quad, 28 MHz operational amplifier. The OP467 amplifier is the first stage of a receiver block, which receives the bipolar signal from the twisted pair line on the other half of the difference amplifier configuration. This circuit essentially performs a 1st order echo cancellation.

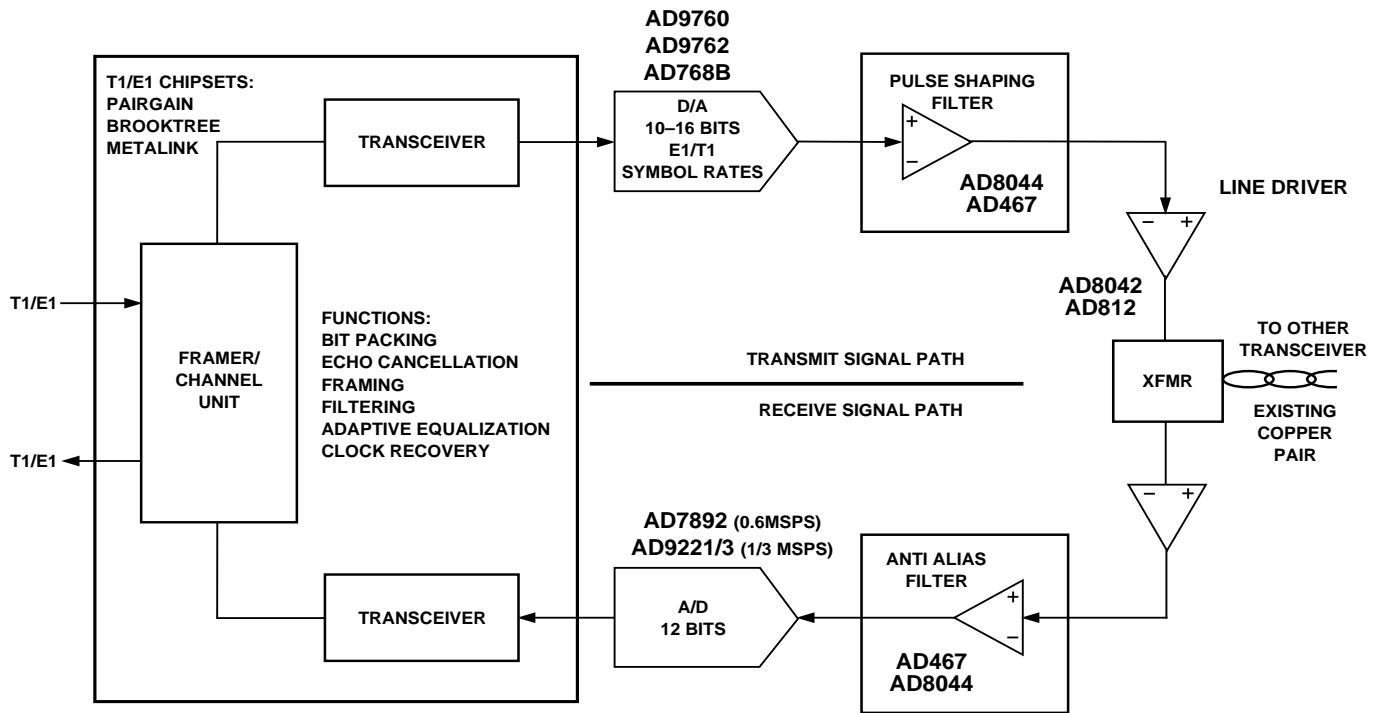


Figure 2. HDSL Modem Block Diagram

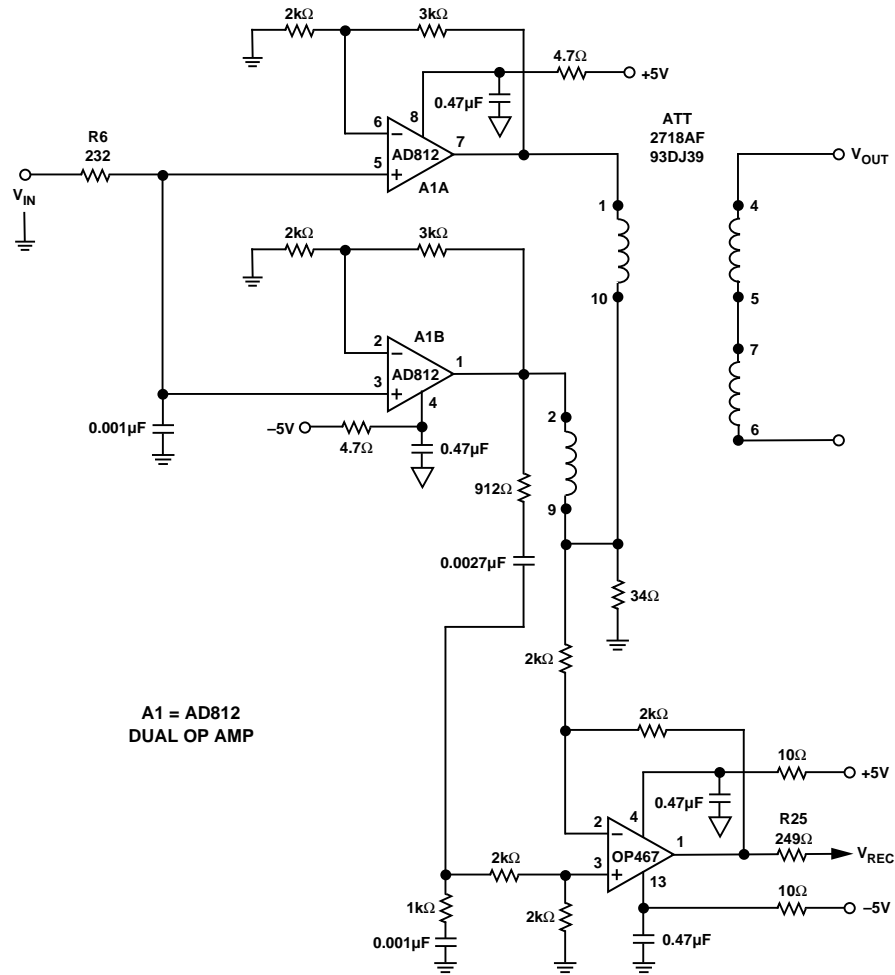


Figure 3.

For a single supply solution, the wide bandwidth, low power AD8042, dual 160 MHz and the AD8044 quad, 150 MHz op amps are well suited for this application. The AD8042's low power of 5.2 mA/A and the AD8044's 3.25 mA/A provide a low power solution for line powered modems. Another single supply ADC solution that has been designed into two pair modems is the AD7892. This low cost, 12b, 600 kSPS ADC operates on 60 mW.

The received signal can then be filtered by an active filter (i.e., 4th order Sallen-Key filter). The pole is set at the baud rate to prevent aliasing in the ADC. Two more of the high speed op amps included in the OP467 can be used to perform this filter function. A good choice of ADC is a low power, single supply AD9221, a 12b, 1.25 MSPS ADC that digitizes the received PAM signal for further processing. The AD9221 consumes only 50 mW of power at this sample rate, and can process a rail-to-rail +5 V input signal. The 1.25 MSPS minimum sample rate makes it fast enough for single pair T1 application, since the ADC must be capable of sampling at the symbol rate.

For E1 systems, a drop in replacement for the AD9221, the AD9223 can be used instead. The AD9223 is a 12b, 3 MSPS solution which requires only 100 mW of power.

The driving characteristics of this ADC input are exactly the same as the AD9221. The fact that both ADCs are drop in replacements for each other gives the system designer added flexibility to adjust power consumption to meet performance requirements of the receiver system. The ADCs are low cost and easy to use, and the input range is selected by a resistor. The input can accept rail to rail voltage inputs to maximize the dynamic range. Both ADCs are due for release in 2Q96.

A low resolution DAC (e.g., 7 bit) is also required for timing recovery purposes to tune the VCXO.

FUTURE DEVELOPMENTS

ADI is also developing a single chip analog front end (integrating ADC, DAC, PGA, filters, timing recovery DAC and driver), which will be sampling late this year. There will be two versions of this part, one suited to two/three pair applications and one for the faster single pair applications. This may include a few other useful features or nice "tweaks."

We will also be developing some digital devices, to offer a complete solution.

SUMMARY

A low cost, low power transceiver solution for an HDSL modem can be implemented with minimum components. The AD812 and OP467 provide a flexible solution for high speed transceiver applications. The AD9221 and AD9223 are pin compatible replacements for the AD9220, a popular 12b, 10 MSPS single supply ADC available now from ADI.

For a single supply solution, the wide bandwidth, low power AD8042, dual 160 MHz and the AD8044 quad, 150 MHz op amps are well suited for this application.

We are committed to this market, with excellent discrete solutions today and plans to help customers with integration in future generations.

REFERENCES

Bellcore TA-NWT-001210, Issue 1, October 1991, "Generic Requirements for High-Bit-Rate Digital Subscriber Lines."