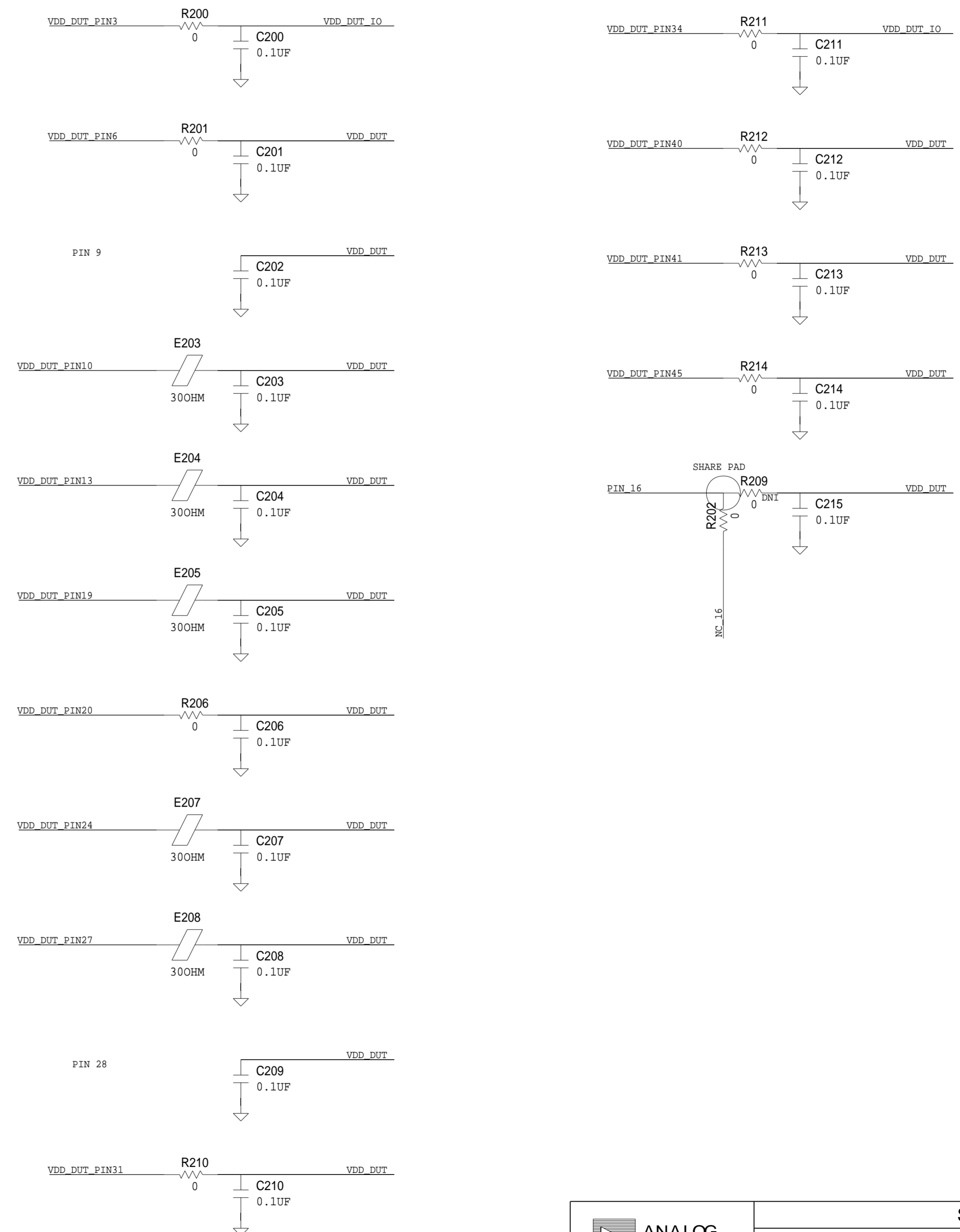
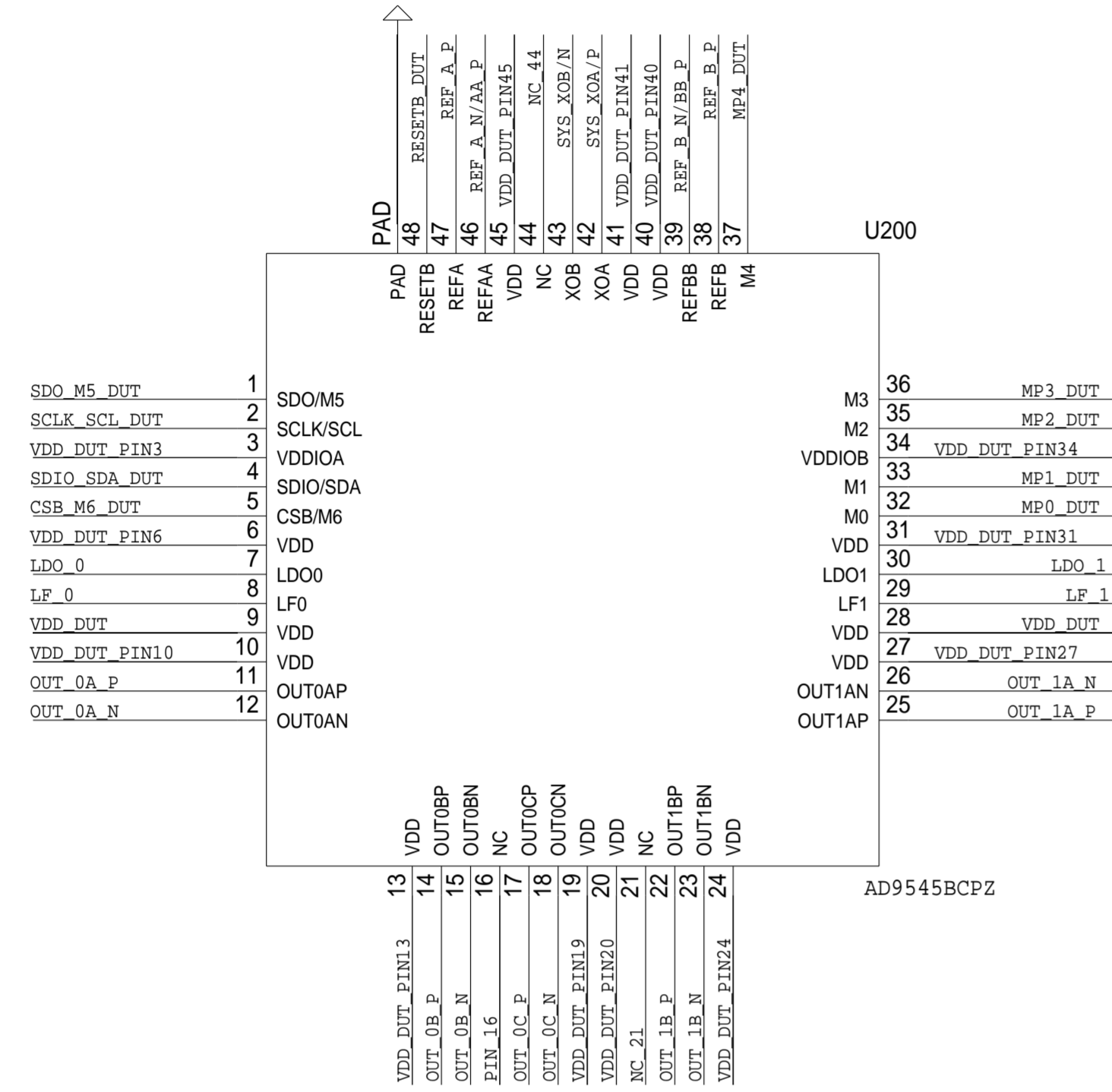




# DUT SECTION

REVISIONS			
REV	DESCRIPTION	DATE	APPROVED



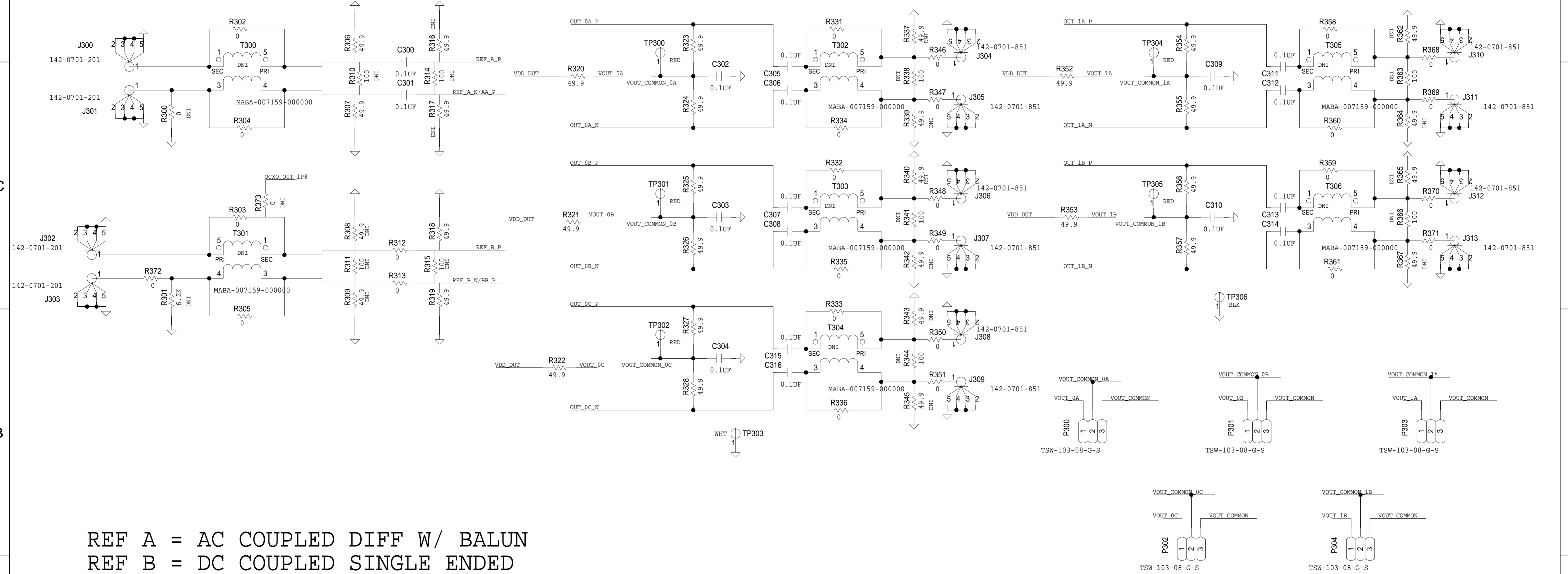
	<b>SCHEMATIC</b>		
	HW TYPE : Customer Evaluation Product(s) : AD9545 : N/A		
DESIGN VIEW <DESIGN_VIEW>	DRAWING NO. 02_040513	REV E	
PTD ENGINEER M. OSTRANDER	SIZE D	SCALE 1:1	SHEET 2 OF 8

REVISIONS			
REV	DESCRIPTION	DATE	APPROVED

# INPUT/OUTPUT SECTION

## CLOCK OUTPUTS

### REFERENCE INPUTS



REF A = AC COUPLED DIFF W/ BALUN  
 REF B = DC COUPLED SINGLE ENDED  
 REF BB = 5V CMOS -> 1.8V DC COUPLED SINGLE ENDED OR  
 = 3.3V CMOS -> 1.2V DC COUPLED SINGLE ENDED

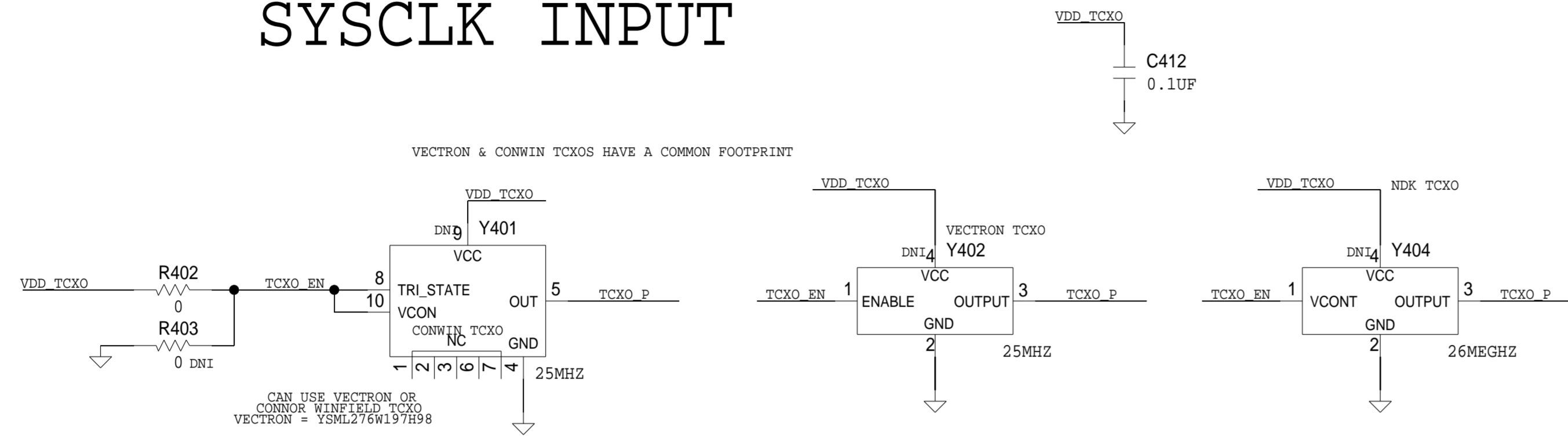
OUT 0A = AC COUPLED W/O BALUN  
 OUT 0B = AC COUPLED W/O BALUN  
 OUT 0C = AC COUPLED W/O BALUN  
 OUT 1A = AC COUPLED W/O BALUN  
 OUT 1B = AC COUPLED W/O BALUN

SCHEMATIC			
ANALOG DEVICES		HW TYPE : Customer Evaluation Product(s) : AD9545 : N/A	
DESIGN VIEW <DESIGN_VIEW>	DRAWING NO. 02_040513	REV E	
PTD ENGINEER M. OSTRANDER	SIZE D	SCALE 1:1	SHEET 3 OF 8

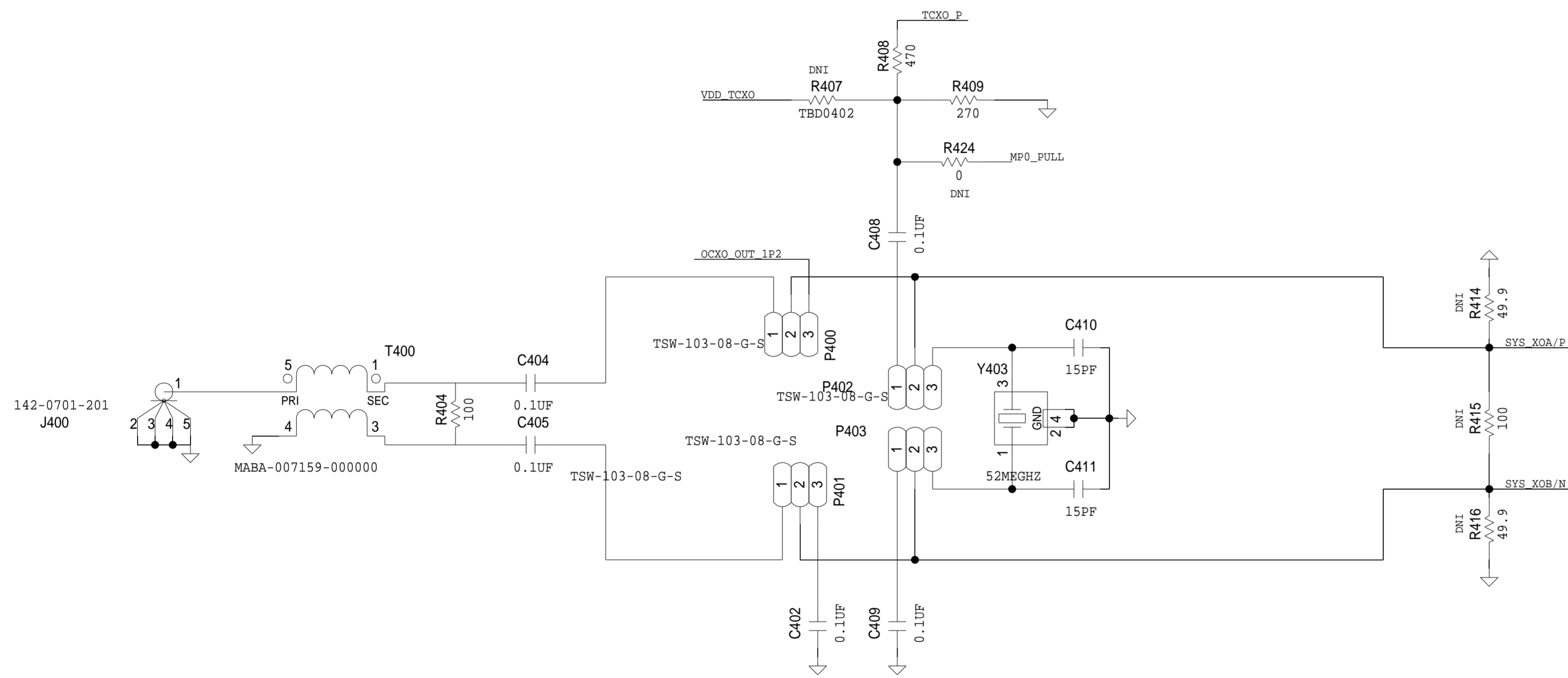
# SYSCLK, LF/LDO, N/C PINS, OCXO SECTION

REVISIONS			
REV	DESCRIPTION	DATE	APPROVED

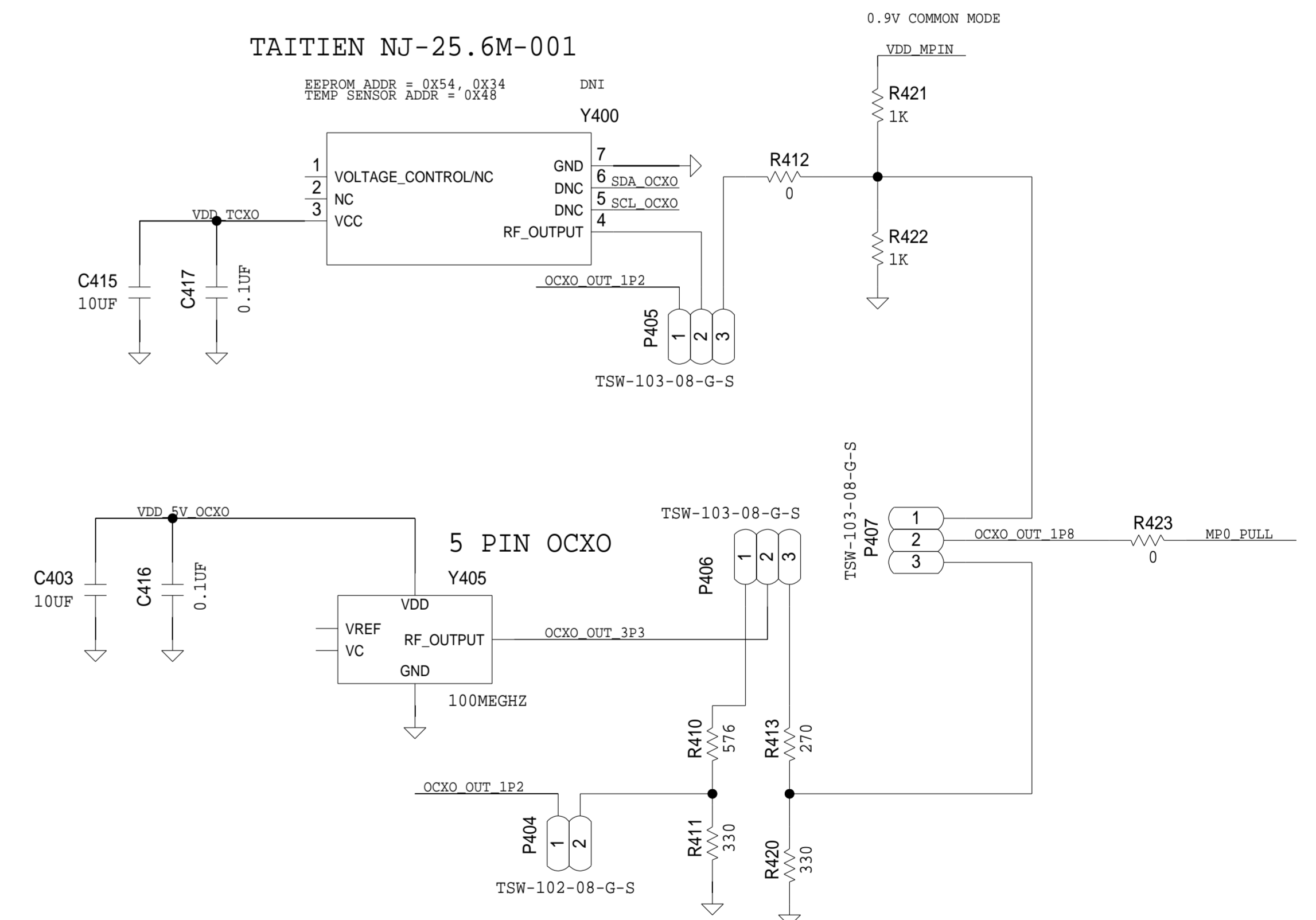
## SYSCLK INPUT



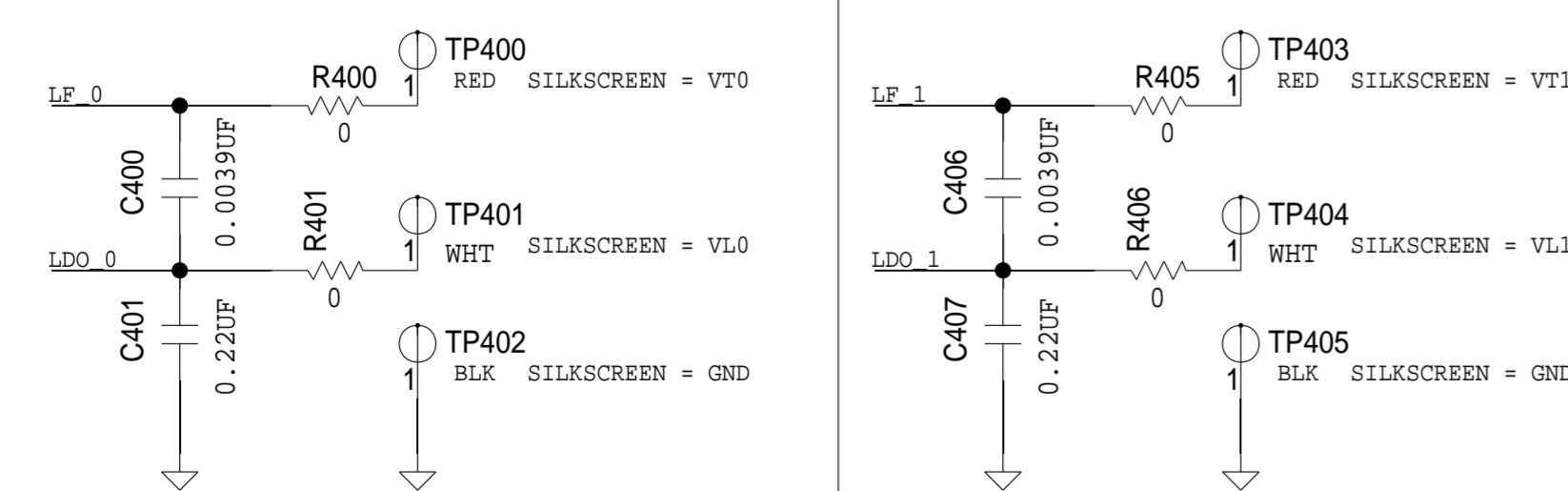
NO CONNECTS CONNECTED FOR ADI TEST ONLY



## TAITIEN NJ-25.6M-001



## LF & LDO CONNECTIONS

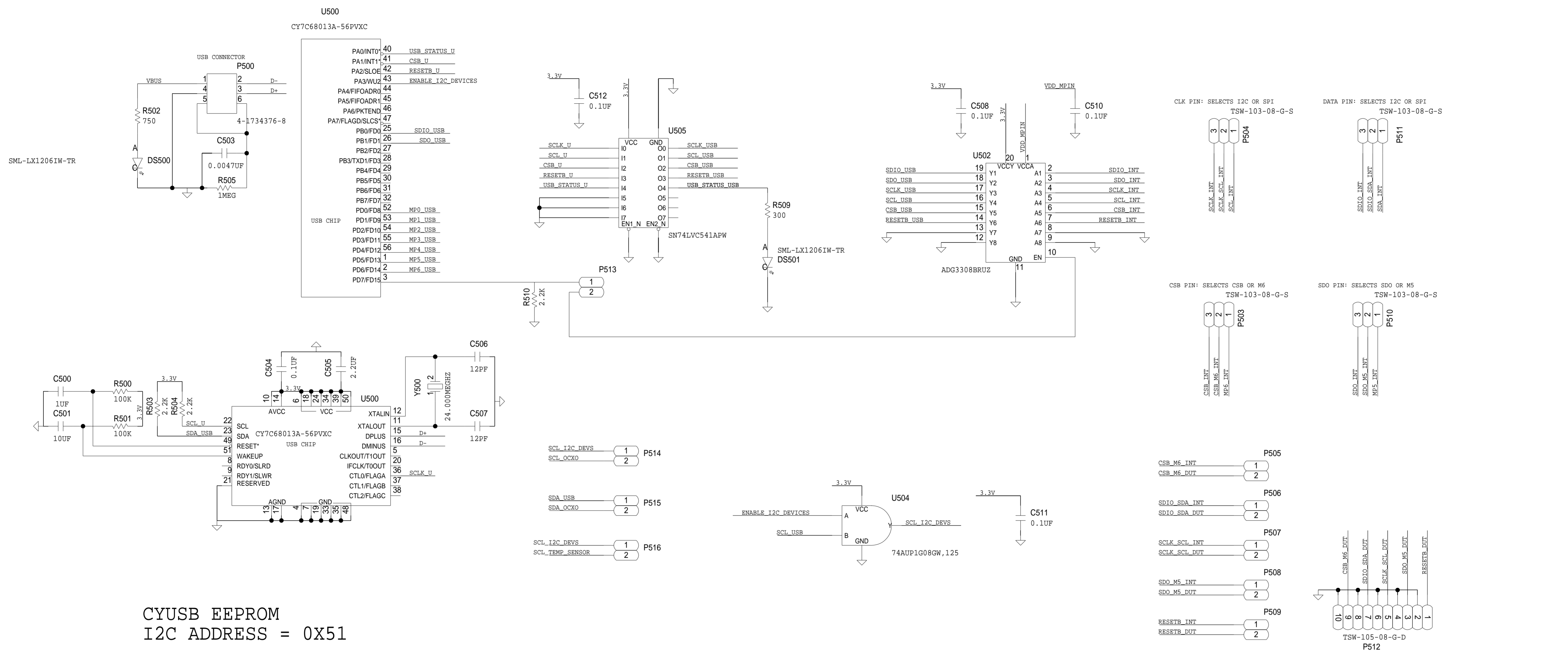


NOTE: CAPS SHOULD BE CLOSEST TO THE PIN OF THE DUT

ANALOG DEVICES		SCHEMATIC	
HW TYPE : Customer Evaluation		Product(s) : AD9545	
DESIGN VIEW : <DESIGN_VIEW>		DRAWING NO. : 02_040513	
PTD ENGINEER : M. OSTRANDER		SIZE : D	SCALE : 1:1
REV : E		SHEET 4 OF 8	

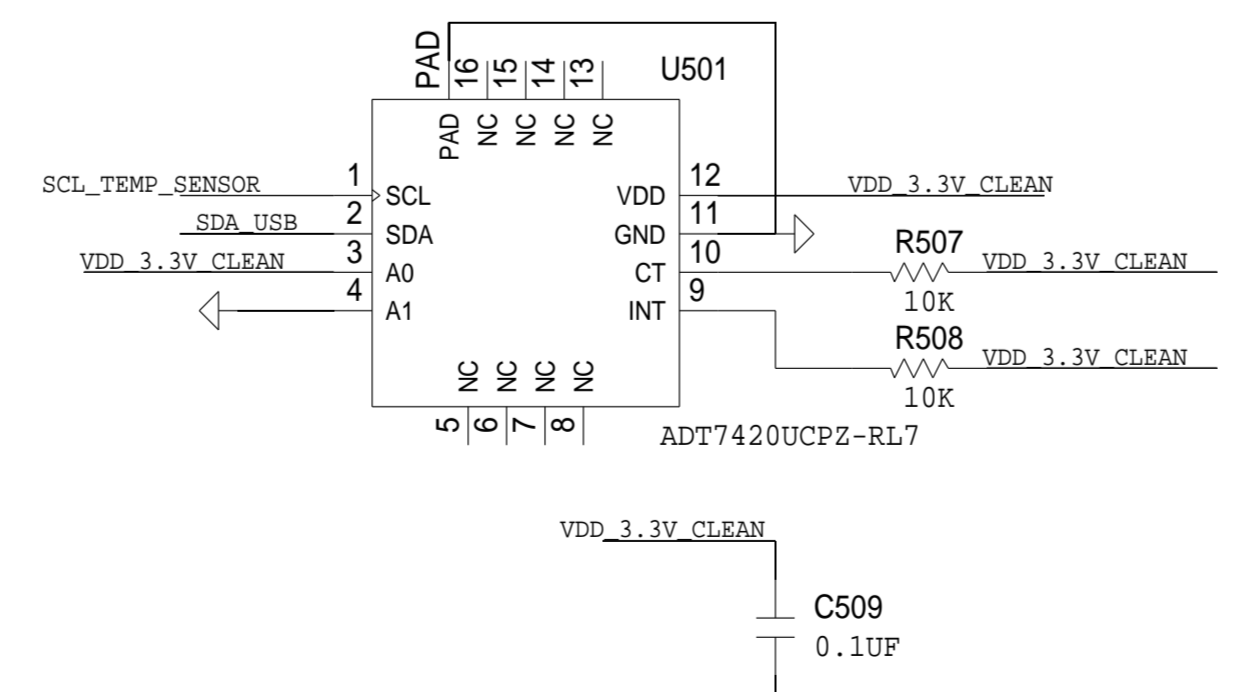
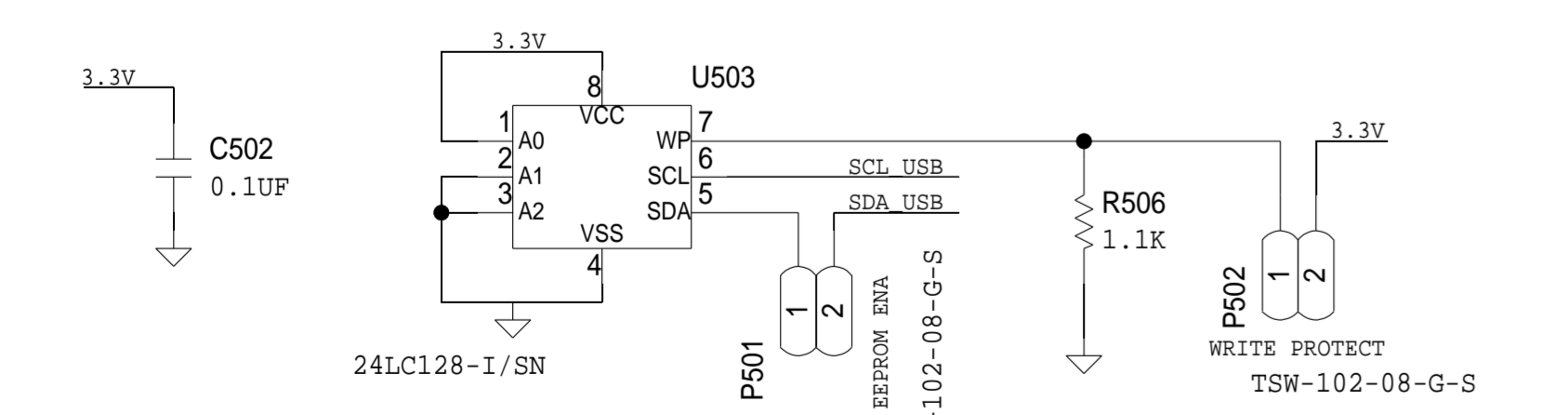
REVISIONS			
REV	DESCRIPTION	DATE	APPROVED

# SERIAL COMM SECTION



CYUSB EEPROM  
I2C ADDRESS = 0X51

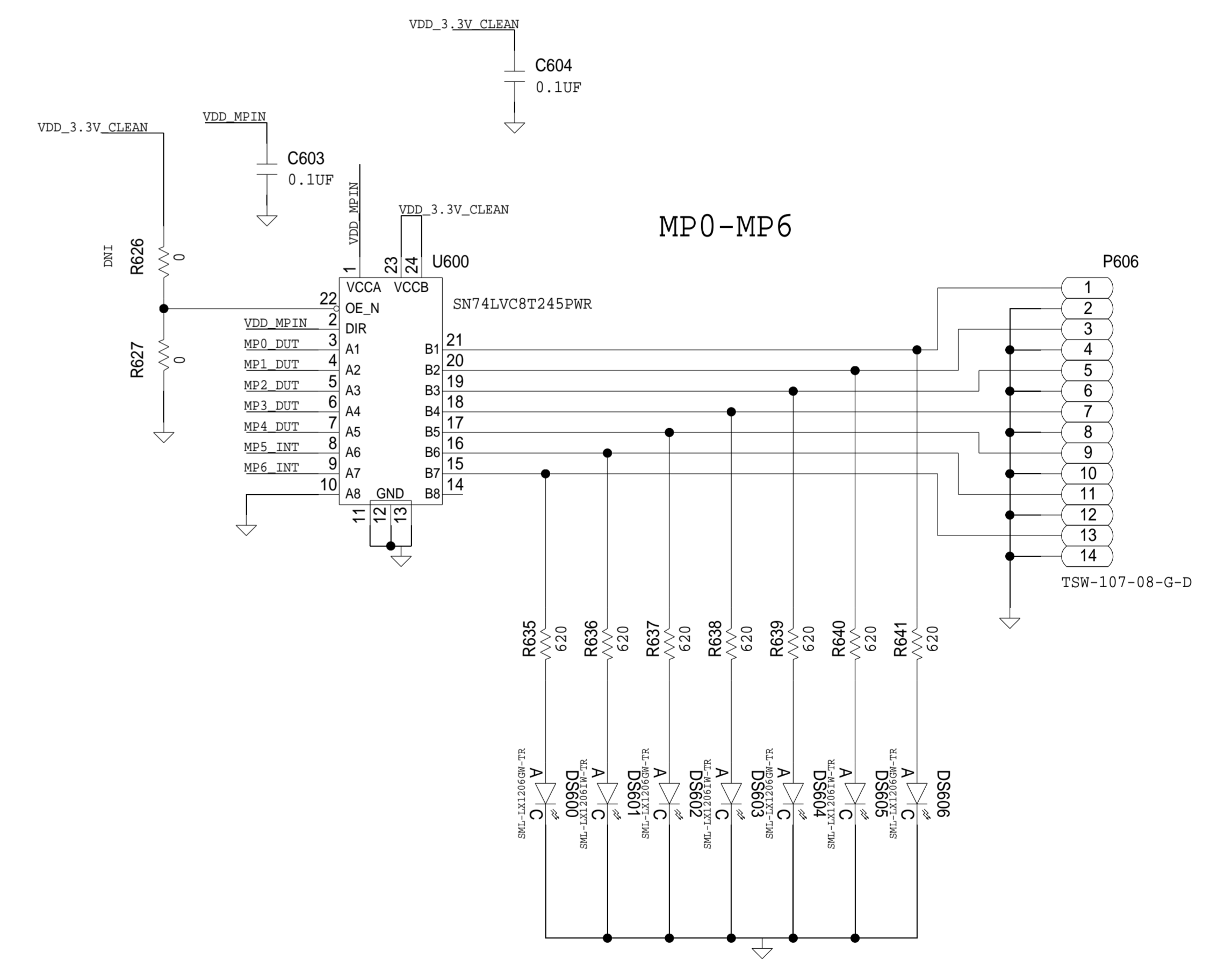
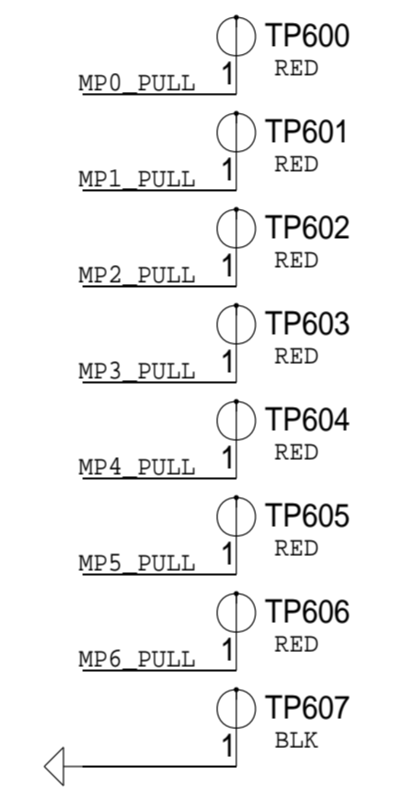
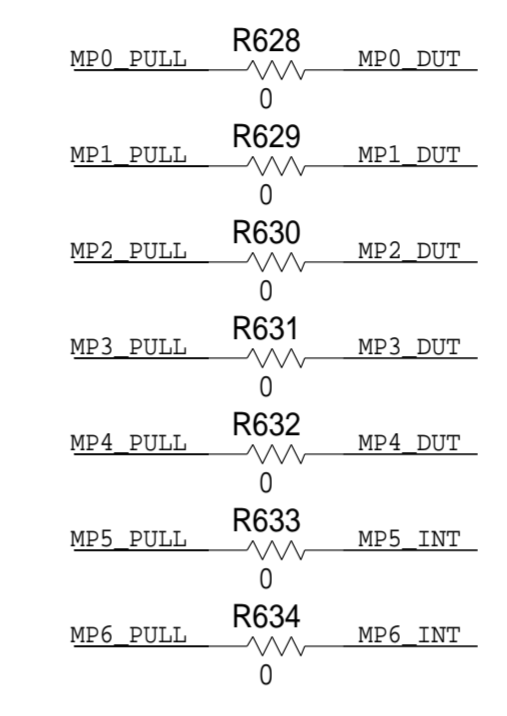
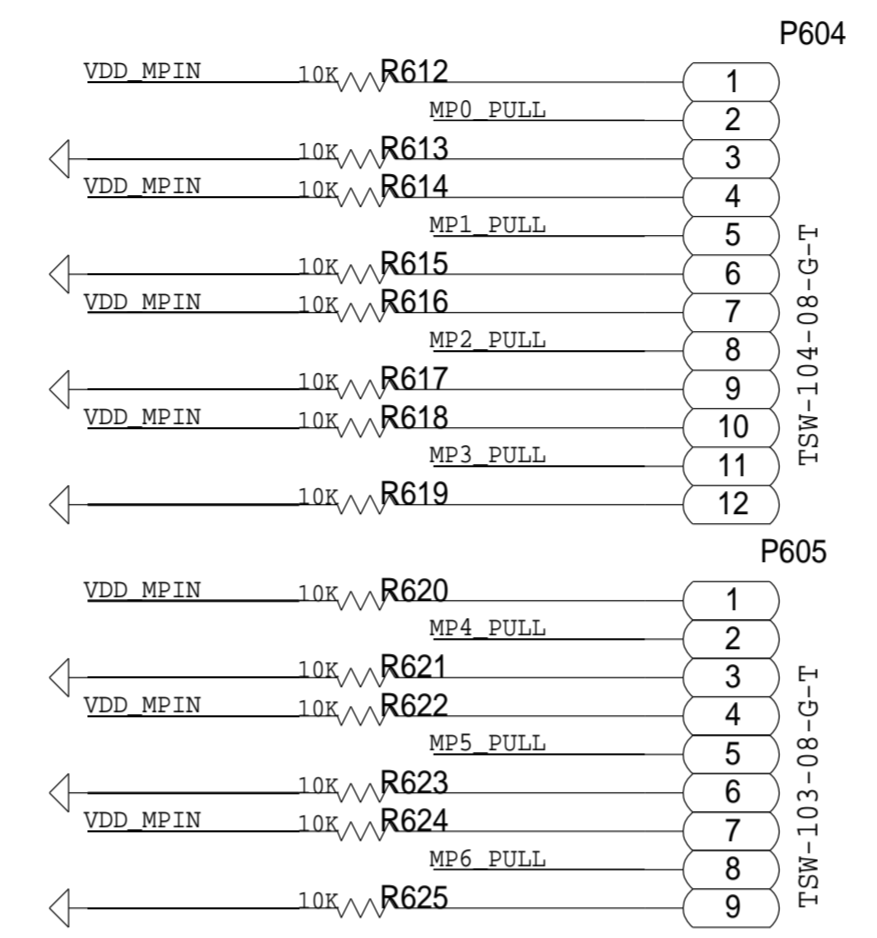
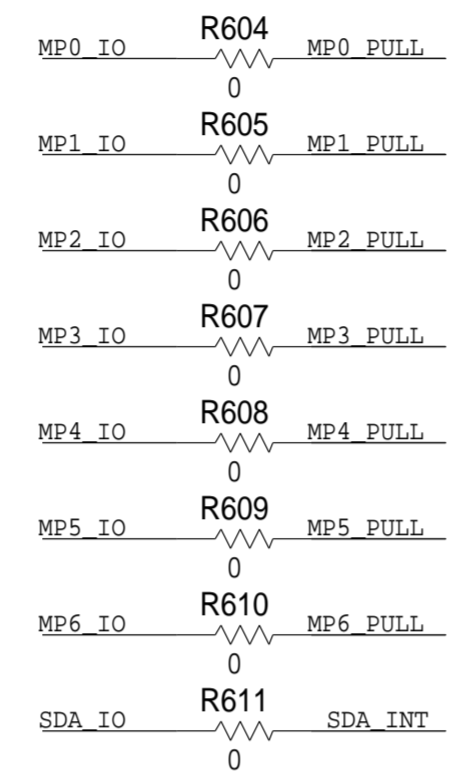
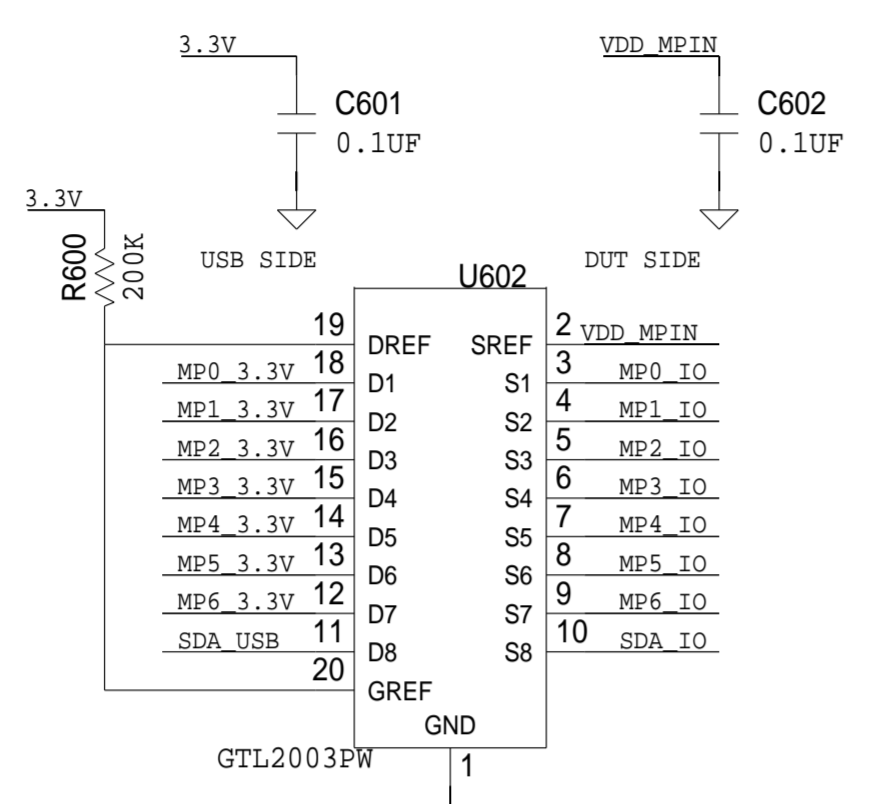
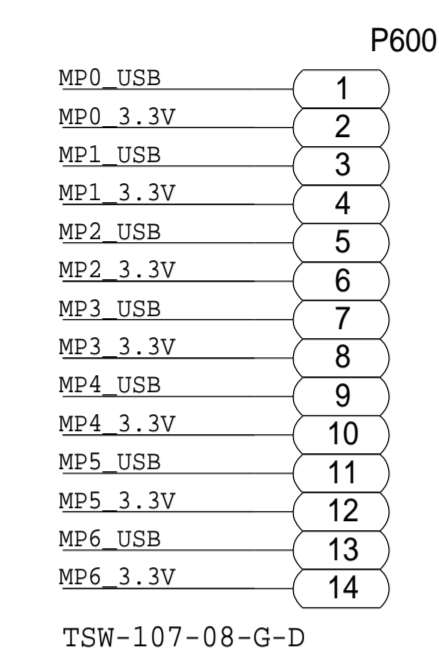
TEMPERATURE SENSOR  
I2C ADDRESS = 0X49



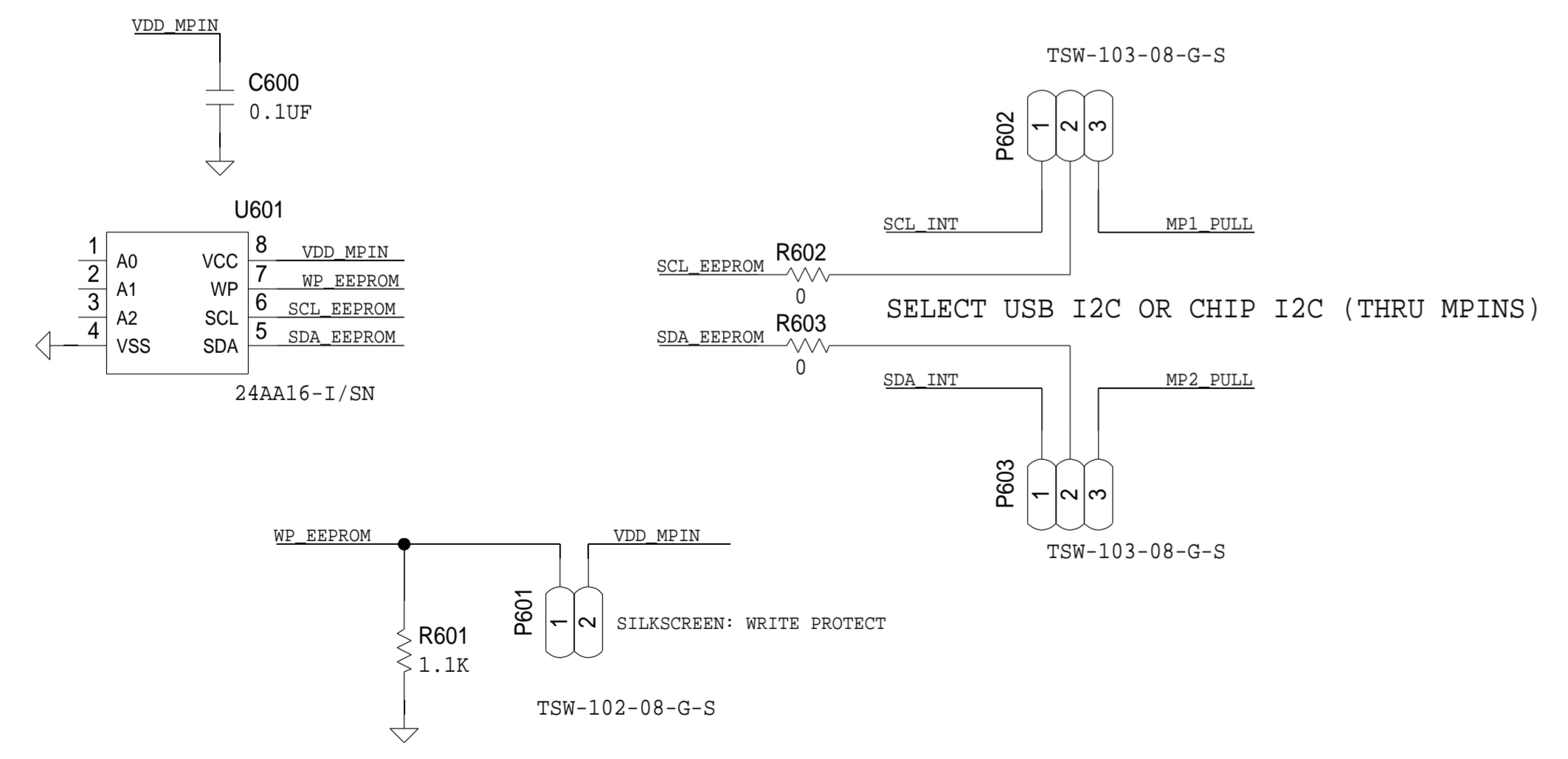
SCHEMATIC			
ANALOG DEVICES		HW TYPE : Customer Evaluation Product(s) : AD9545 : N/A	
DESIGN VIEW <DESIGN_VIEW>	DRAWING NO. 02_040513	REV E	
PTD ENGINEER M. OSTRANDER	SIZE D	SCALE 1:1	SHEET 5 OF 8

REVISIONS			
REV	DESCRIPTION	DATE	APPROVED

# MPIN SECTION



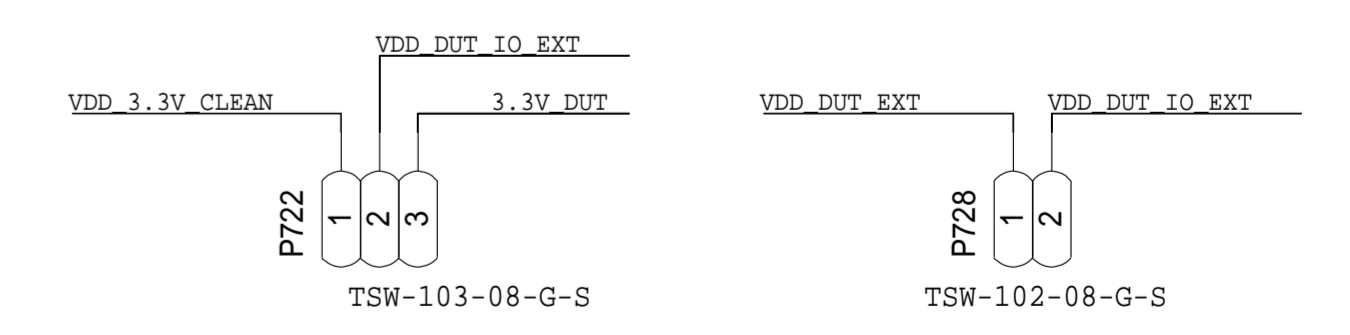
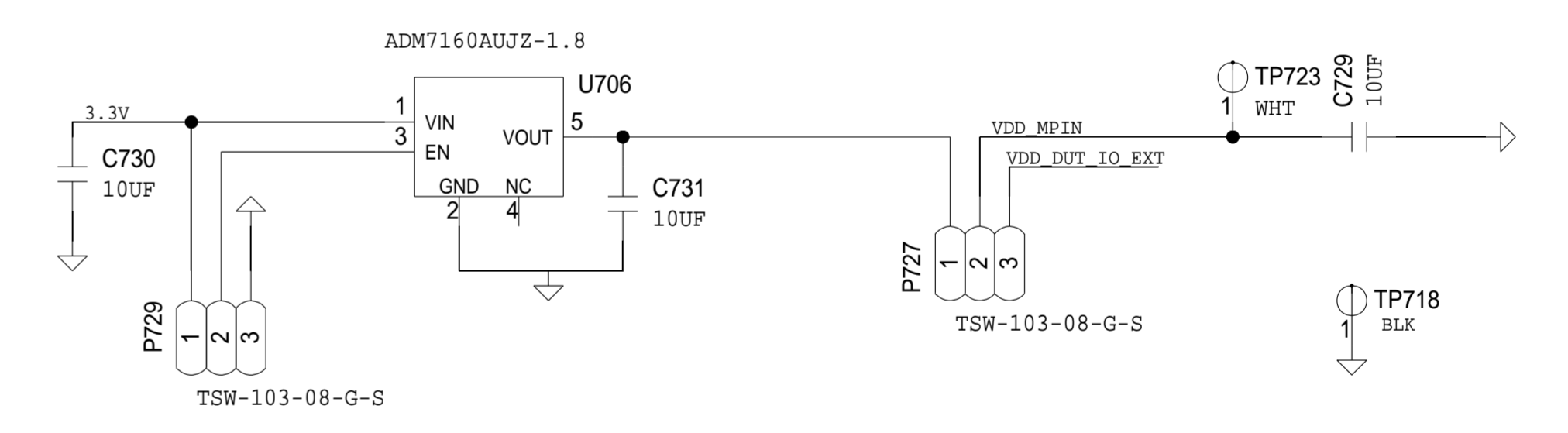
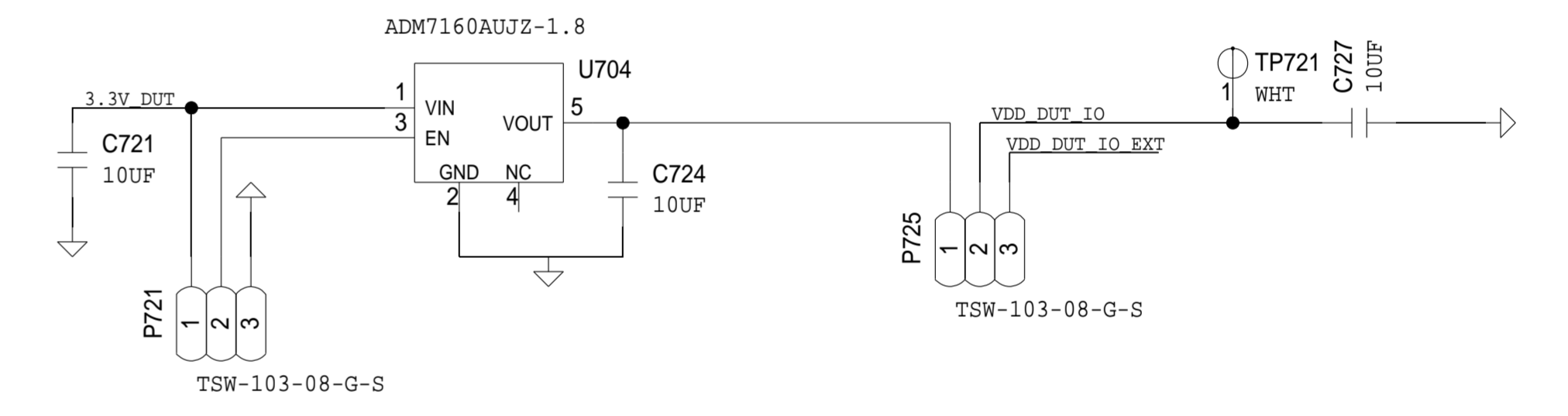
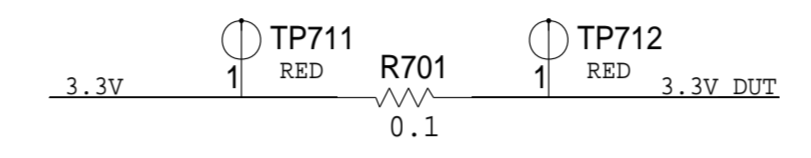
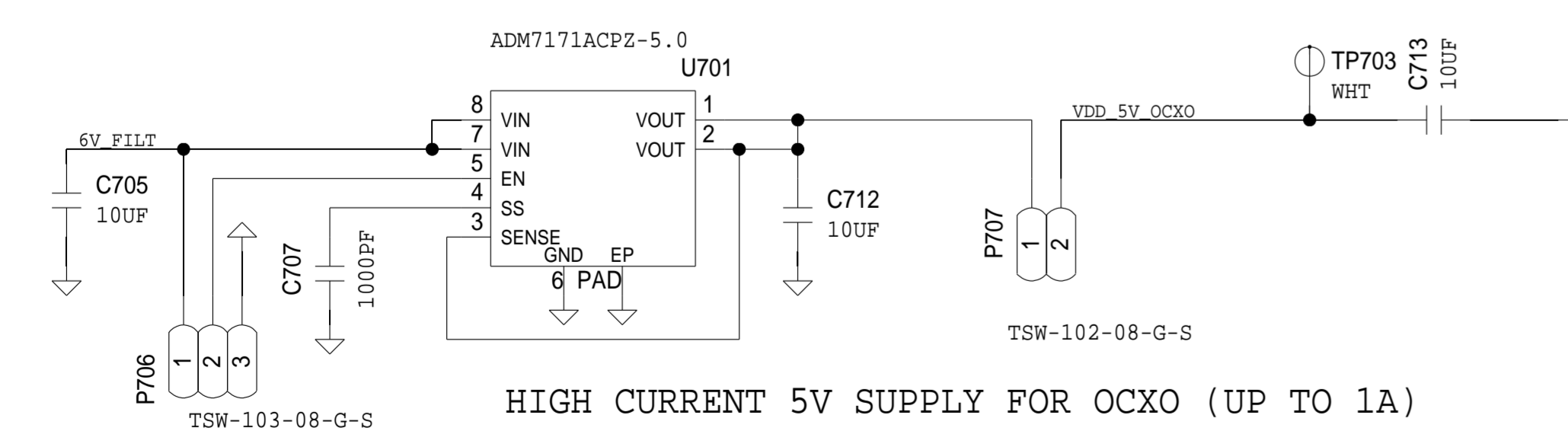
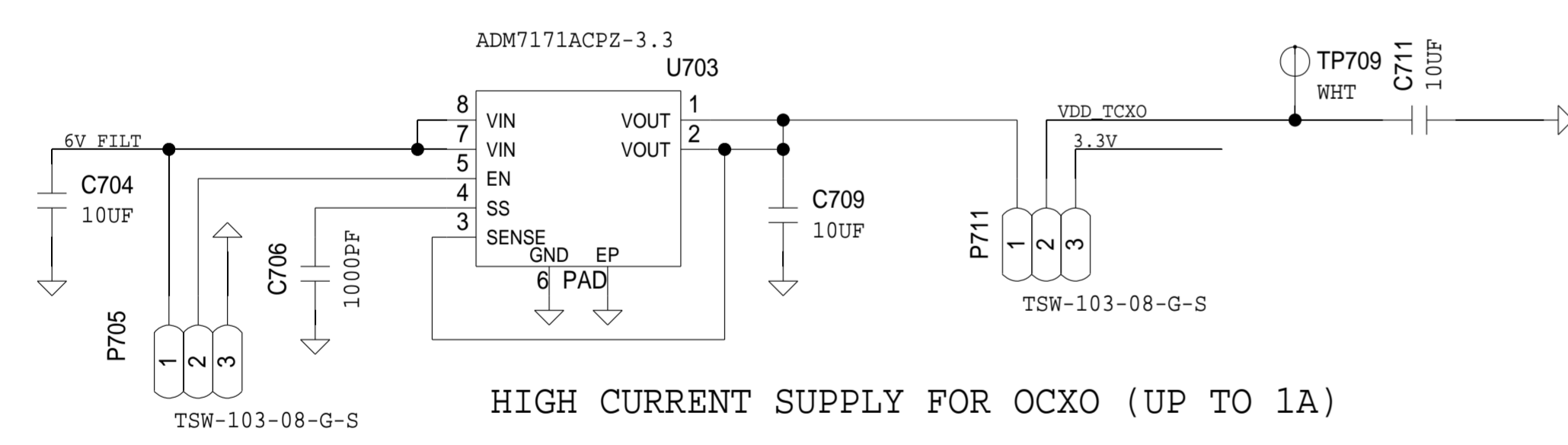
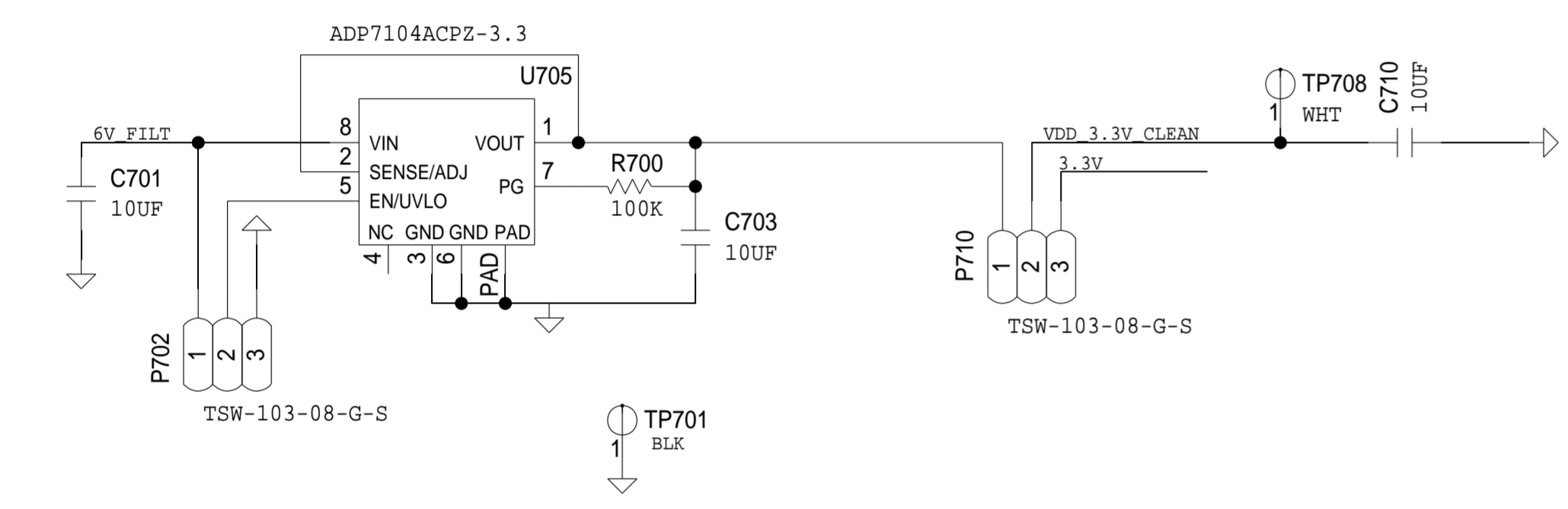
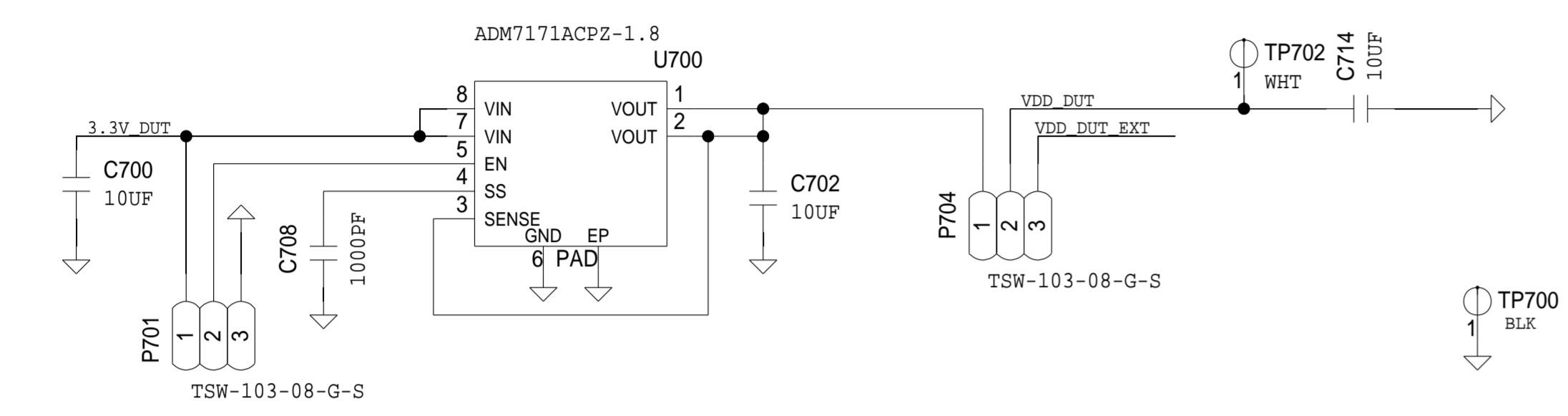
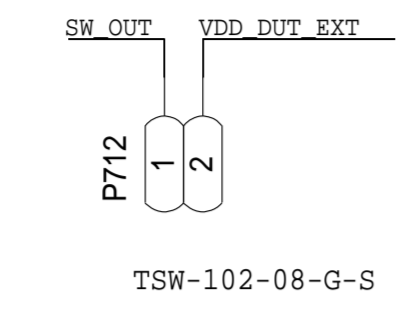
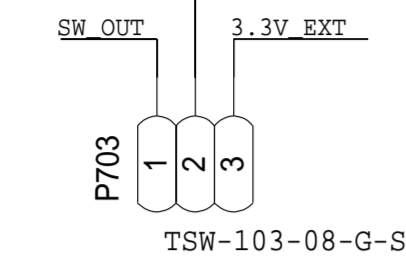
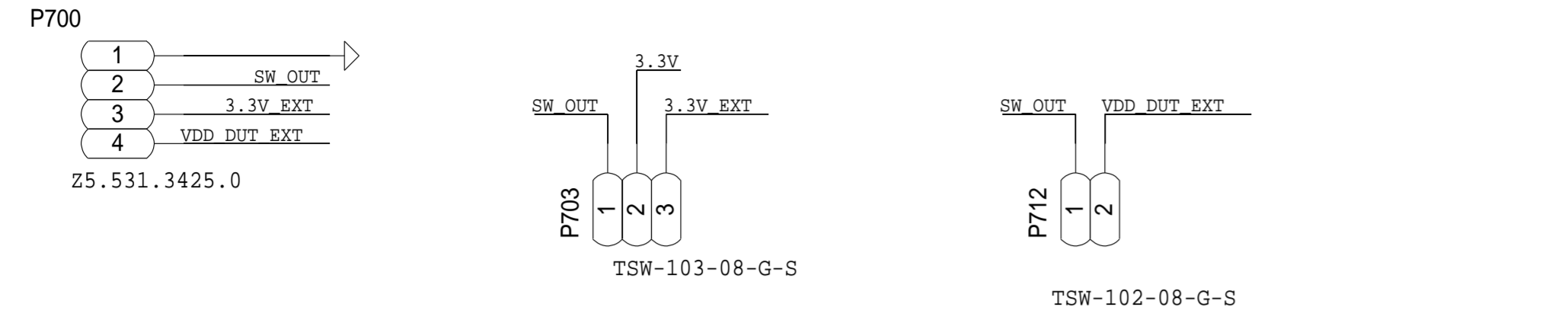
**AD9545 EEPROM**  
 I2C ADDRESS = 0X50-0X57



	<b>SCHEMATIC</b>		
	HW TYPE : Customer Evaluation Product(s) : AD9545 : N/A		
DESIGN VIEW <DESIGN_VIEW>	DRAWING NO. 02_040513	REV E	
PTD ENGINEER M. OSTRANDER	SIZE D	SCALE 1:1	SHEET 6 OF 8

REVISIONS			
REV	DESCRIPTION	DATE	APPROVED

# SUPPLY SECTION

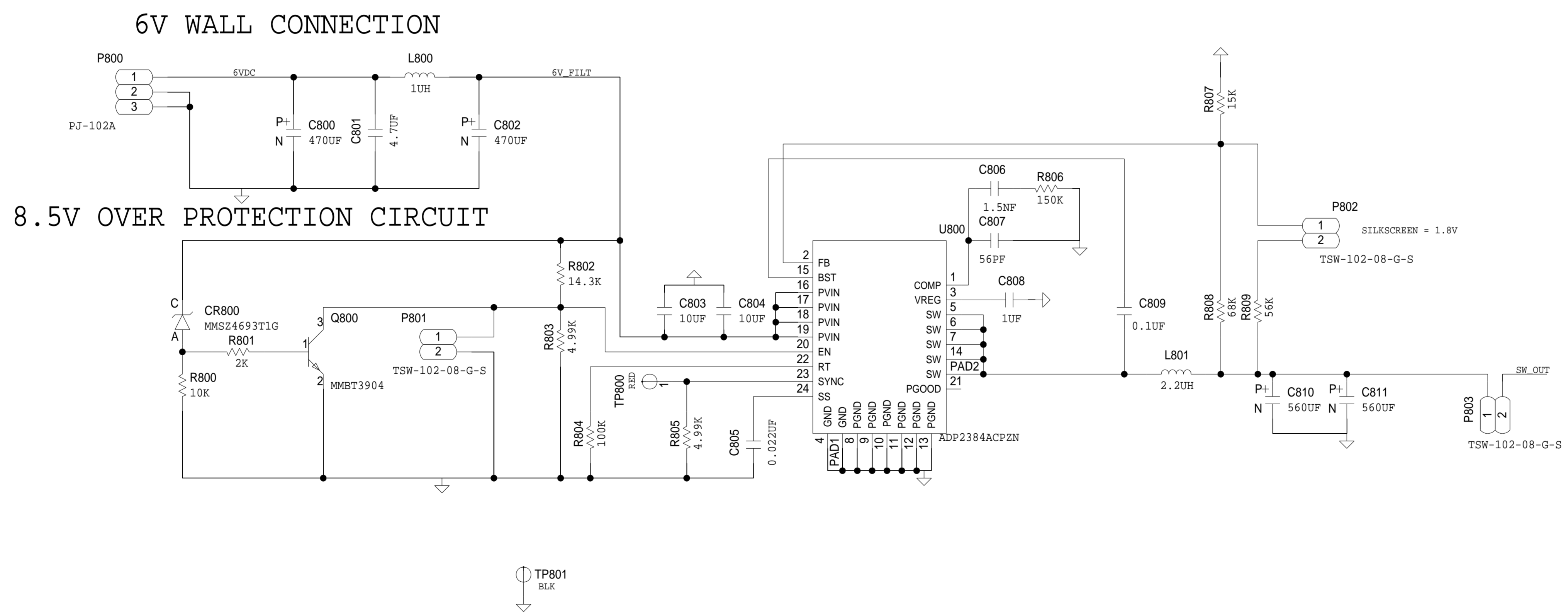


ANALOG DEVICES		SCHEMATIC			
<small>THIS DRAWING IS THE PROPERTY OF ANALOG DEVICES INC. IT IS NOT TO BE REPRODUCED OR COPIED, IN WHOLE OR IN PART, OR USED IN FURNISHING INFORMATION TO OTHERS, OR FOR ANY OTHER PURPOSE DETRIMENTAL TO THE INTERESTS OF ANALOG DEVICES. THE EQUIPMENT SHOWN HEREON MAY BE PROTECTED BY PATENTS OWNED OR CONTROLLED BY ANALOG DEVICES.</small>		HW TYPE : Customer Evaluation Product(s) : AD9545 : N/A		DRAWING NO. 02_040513	REV E
		DESIGN VIEW <DESIGN_VIEW>		SIZE D	SCALE 1:1
PTD ENGINEER M. OSTRANDER					

REVISIONS			
REV	DESCRIPTION	DATE	APPROVED

# SWITCHER SECTION

## DC TO DC STEP DOWN - 6V TO 3.3V



	<b>SCHEMATIC</b>		
	HW TYPE : Customer Evaluation Product(s) : AD9545 : N/A		
	DESIGN VIEW <DESIGN_VIEW>	DRAWING NO. 02_040513	REV E
	PTD ENGINEER M. OSTRANDER	SIZE D	SCALE 1:1
		SHEET 8 OF 8	