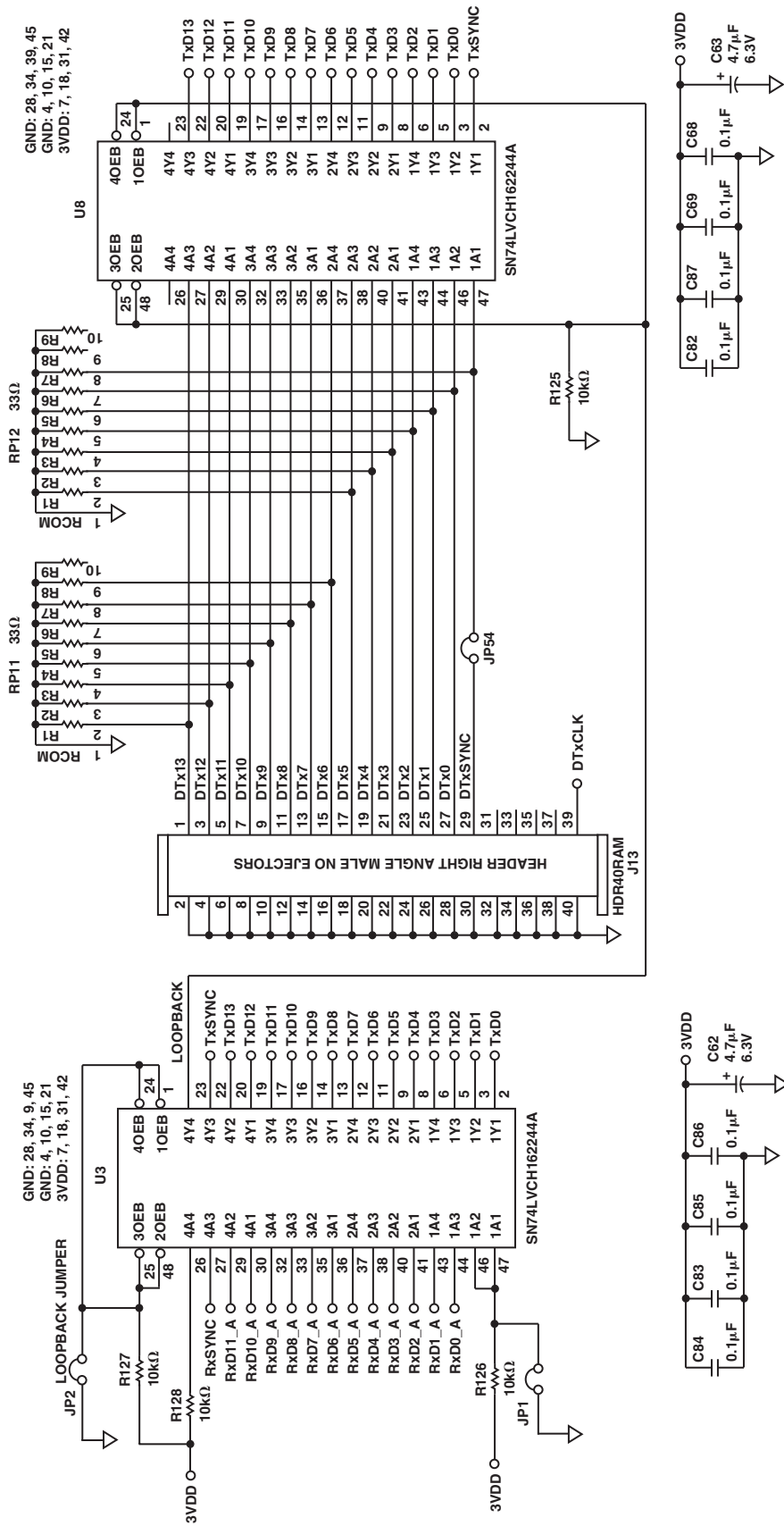
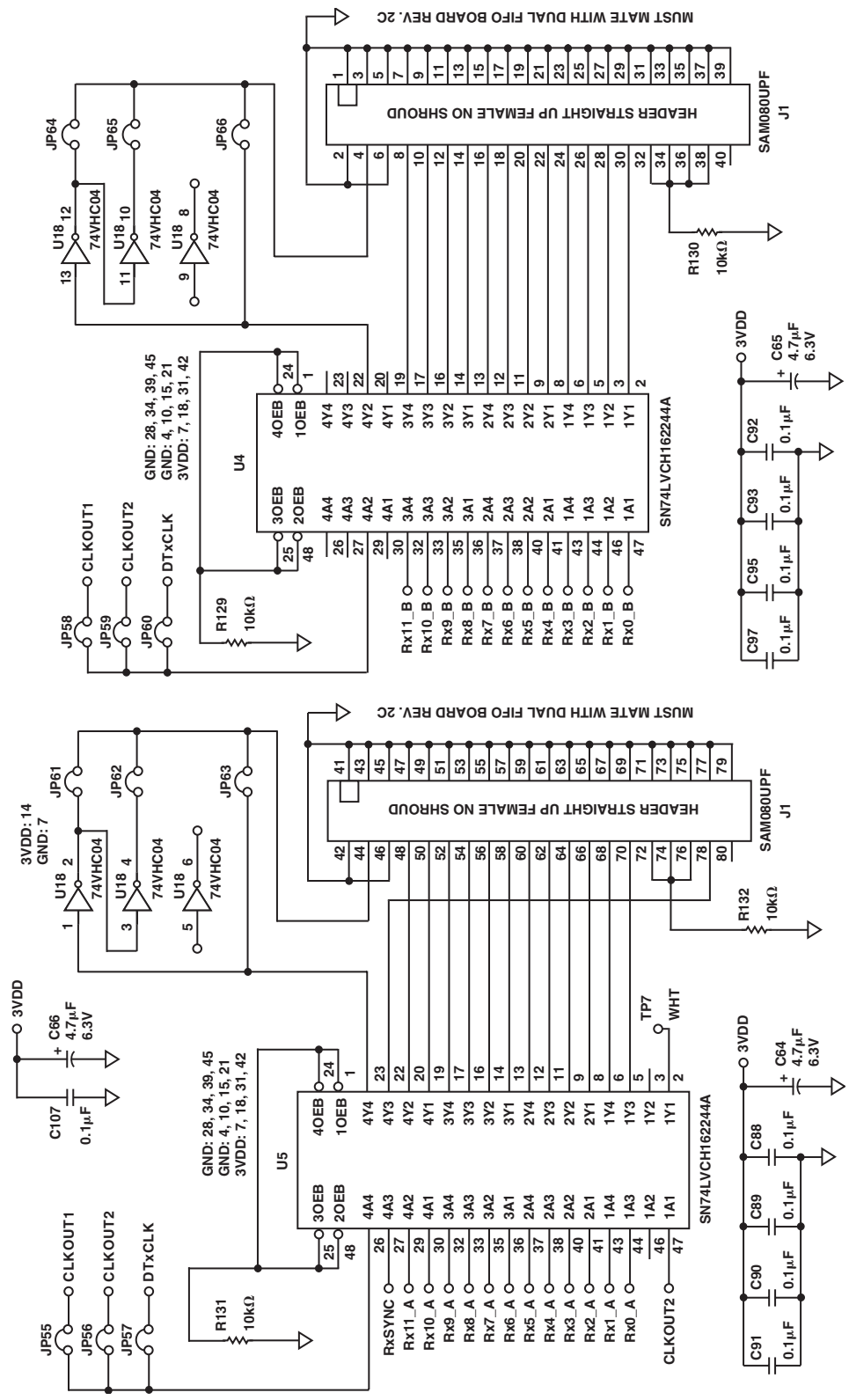


AD9860: DUT Left/Right Symbolic



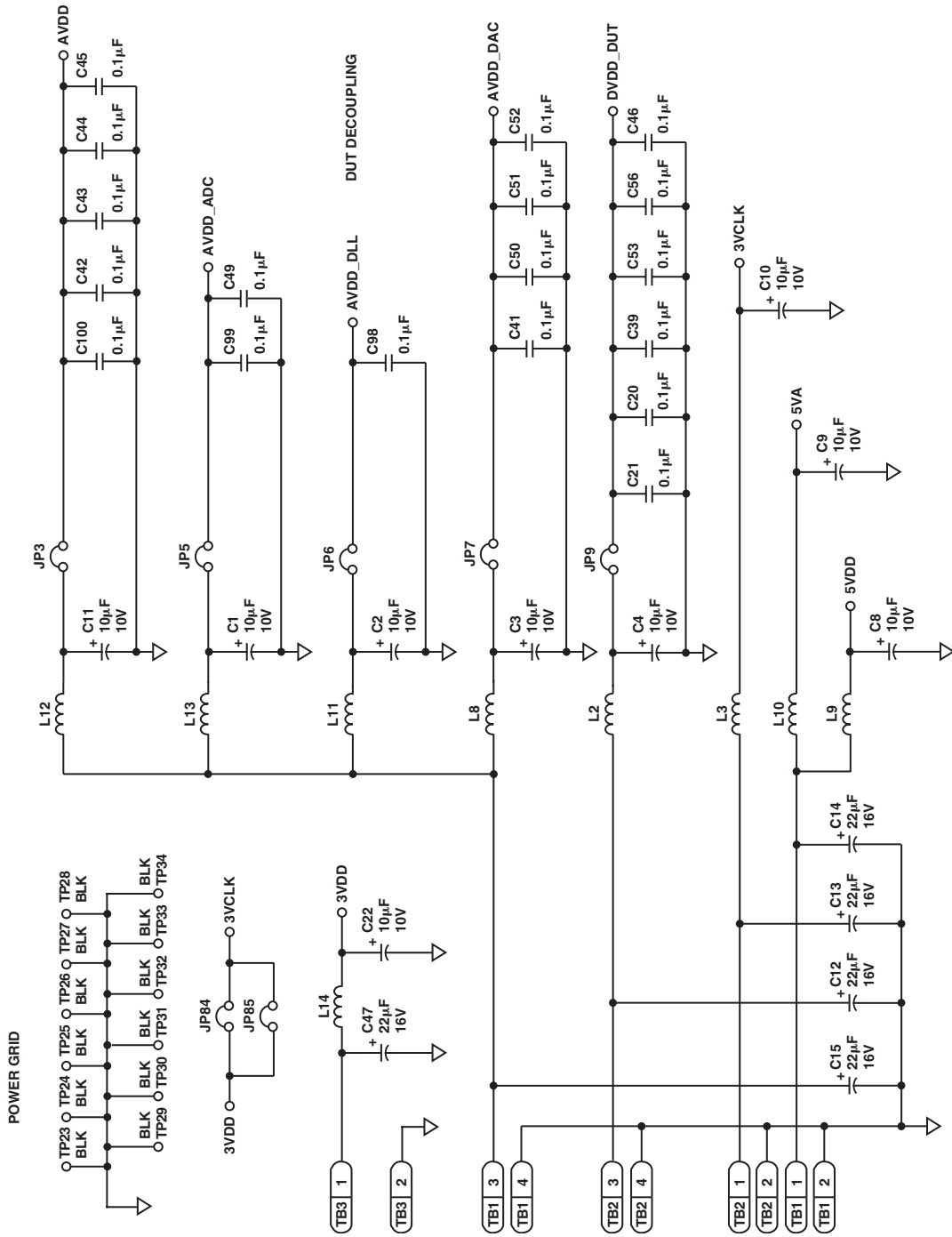


Loopback Digital Receive Outputs to Transmit Digital Inputs



Receive Output Channels A and B: Digital Drive Interface



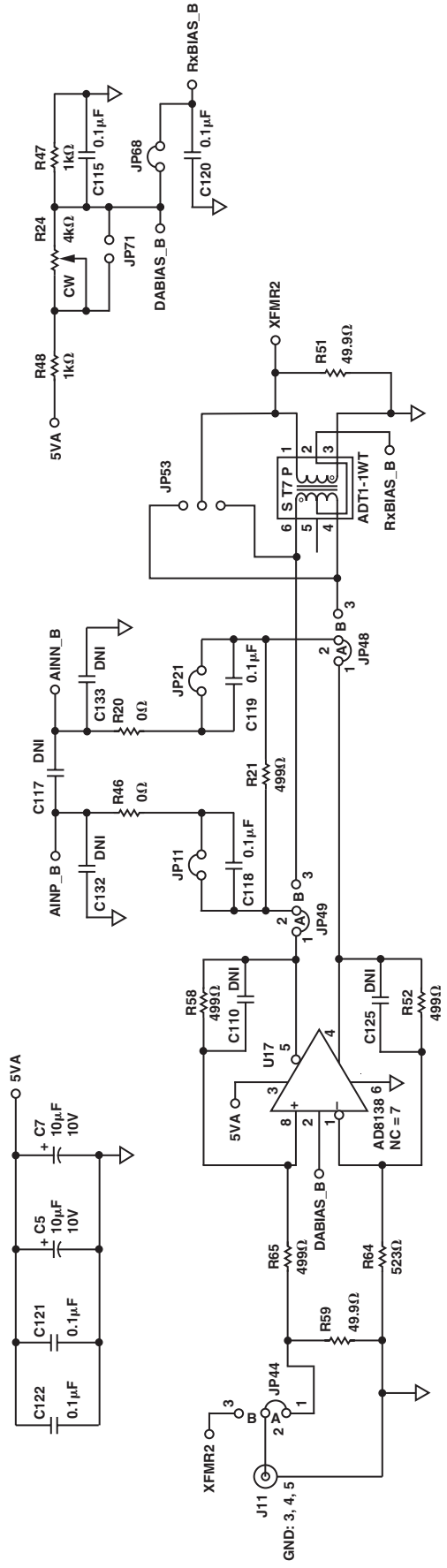
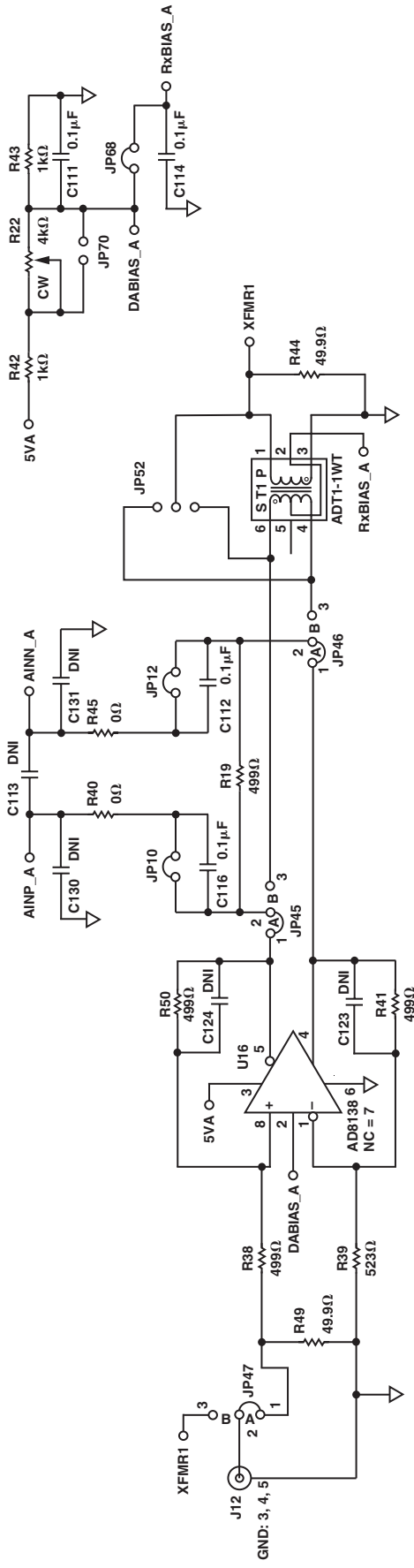


Power Grid









Receive Input Path