

## Evaluating the **ADA4098-1** 50 V, 1 MHz, 165 $\mu$ A, Robust, Over-The-Top Precision Op Amp

### FEATURES

**Fully featured evaluation board for the ADA4098-1**  
**Enables efficient prototyping**  
**User defined circuit configuration**  
**Simplified connection to test equipment and other circuits**

### EVALUATION KIT CONTENTS

**EVAL-ADA4098-1HUJZ**

### EQUIPMENT NEEDED

**Dual-output dc power supply**  
**Dual-channel signal generator**  
**Oscilloscope**  
**Banana jack to grabber cables**  
**BNC to SMA cables**

### DOCUMENTS NEEDED

**ADA4098-1 data sheet**

### GENERAL DESCRIPTION

The EVAL-ADA4098-1HUJZ evaluates the ADA4098-1 6-lead, thin small outline transistor (TSOT), robust Over-The-Top™ precision operational amplifier (op amp). The EVAL-ADA4098-1HUJZ is a prepopulated board using a gain of 1 configuration.

The EVAL-ADA4098-1HUJZ design allows simplified and efficient use. The EVAL-ADA4098-1HUJZ has edge mounted Subminiature Version A (SMA) connectors on the inputs and outputs to allow efficient connection to test equipment or other circuits. Bulk test points are also incorporated as an alternative option to be used for the inputs and outputs. The optimized EVAL-ADA4098-1HUJZ ground plane, component placement, and power supply allow maximum circuit flexibility and performance. The EVAL-ADA4098-1HUJZ combines surface-mount technology (SMT) with almost all 0805 size components to provide simplified installation and the option to replace and solder when needed, except for the bypass capacitors (C1 to C4) that are fixed 0603 sized. The EVAL-ADA4098-1HUJZ also has unpopulated resistor and capacitor pads that provide the user with options and flexibility to implement different application circuits and configurations.

Figure 1 shows the primary side of the EVAL-ADA4098-1HUJZ, and Figure 2 shows the secondary side of the EVAL-ADA4098-1HUJZ.

### EVALUATION BOARD PHOTOGRAPHS

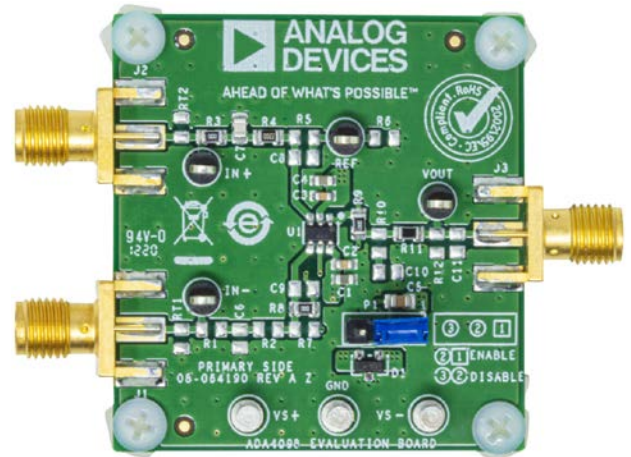


Figure 1. EVAL-ADA4098-1HUJZ, Primary Side

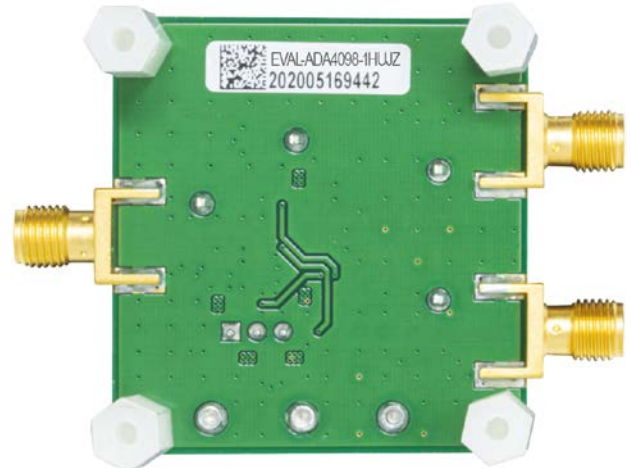


Figure 2. EVAL-ADA4098-1HUJZ, Secondary Side

Refer to the ADA4098-1 data sheet for full specifications, details on device operation, and application circuit configurations. Consult the data sheet in conjunction with this user guide when using the EVAL-ADA4098-1HUJZ.

**TABLE OF CONTENTS**

Features.....	1	Power Supply Consideration.....	3
Evaluation Kit Contents .....	1	Initial Board Configuration.....	3
Equipment Needed.....	1	Using the Evaluation Board for Testing .....	3
Documents Needed.....	1	Evaluation Board Schematics and Artwork.....	4
General Description .....	1	Ordering Information.....	6
Evaluation Board Photographs.....	1	Bill of Materials .....	6
Revision History .....	2		
Evaluation Board Quick Start Procedures .....	3		

**REVISION HISTORY**

3/2021—Revision 0: Initial Version

## EVALUATION BOARD QUICK START PROCEDURES

The Power Supply Consideration section, the Initial Board Configuration section, and the Using the Evaluation Board for Testing section outline the basic, prepopulated EVAL-ADA4098-1HUIZ configuration required to test the basic functionality of the device.

### POWER SUPPLY CONSIDERATION

Use the turret pins (VS+, VS–, and GND) to power up the EVAL-ADA4098-1HUIZ. Ensure that the correct polarity and voltage level is used to avoid reverse polarity and overvoltage, which can permanently damage the EVAL-ADA4098-1HUIZ. The operating supply voltage range is 3 V to 50 V. Higher voltages can damage the amplifier. Decoupling capacitors of 10  $\mu$ F and 0.1  $\mu$ F are preinstalled on the EVAL-ADA4098-1HUIZ for ready operation.

### INITIAL BOARD CONFIGURATION

To set up the initial EVAL-ADA4098-1HUIZ configuration, perform the following steps:

1. Ensure that all equipment is powered down, including the power supply and the signal generator. Use the banana jack to grabber cables to connect the positive supply, ground, and negative supply to the VS+, VS–, and GND turret pins, respectively.
2. Verify that the P1 jumper for the SHDN pin on the EVAL-ADA4098-1HUIZ is in Position 1 (ENABLE) so that the device is enabled.
3. Connect the signal generator at the IN+ SMA pad using a Bayonet Neill-Concelman (BNC) to SMA cable or at the IN+ bulk test point and GND turret using a BNC to grabber cable.
4. Connect VOUT on the EVAL-ADA4098-1HUIZ to the oscilloscope using a BNC to SMA cable or connect an oscilloscope probe with a 10 $\times$  attenuation factor to the VOUT bulk test point and clip the ground of the oscilloscope probe with a 10 $\times$  attenuation factor to the GND turret pin.

### USING THE EVALUATION BOARD FOR TESTING

When the procedure in the Initial Board Configuration section is complete, implement the following settings and verify the expected output:

1. Set the power supply to +15 V for the positive supply and –15 V for the negative supply, and then turn on the power supply.
2. Configure the signal generator to output a 100 Hz sine wave with 0 V offset and 1 V p-p, and enable the generator.
3. Set the oscilloscope scaling to 200 mV/2 ms per division. If using a 10 $\times$  probe instead of a BNC to SMA cable to monitor VOUT, set the oscilloscope input impedance to 1 M $\Omega$ , and the oscilloscope probe setting attenuation factor to 10 $\times$ . Ensure that a 100 Hz, 1 V p-p sine wave centered at 0 V appears on the oscilloscope.
4. To evaluate the device shutdown performance, move the P1 jumper into Position 3 (DISABLE) to tie SHDN to VS+. There is no output at the VOUT SMA pad or bulk test point. To re-enable the device, move the P1 jumper back into Position 1 (ENABLE).

EVALUATION BOARD SCHEMATICS AND ARTWORK

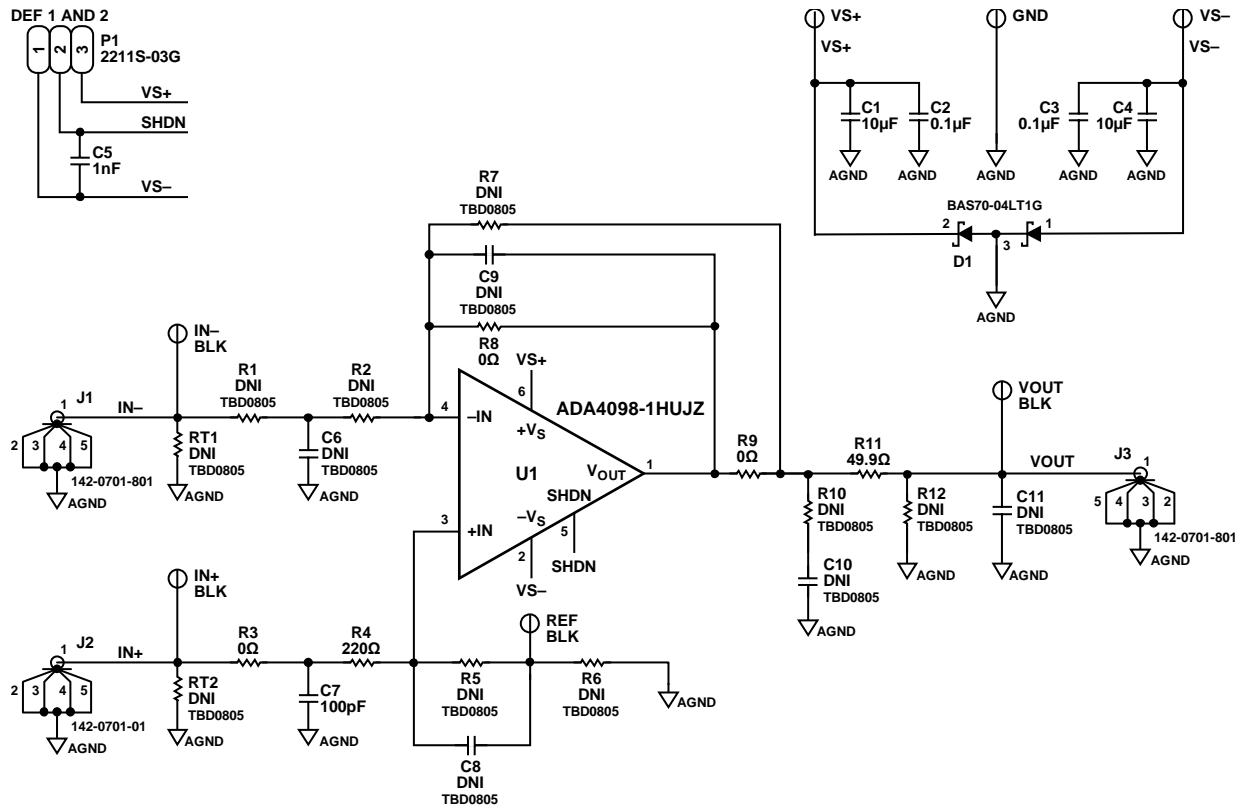


Figure 3. EVAL-ADA4098-1HUJZ Schematic

26296-003

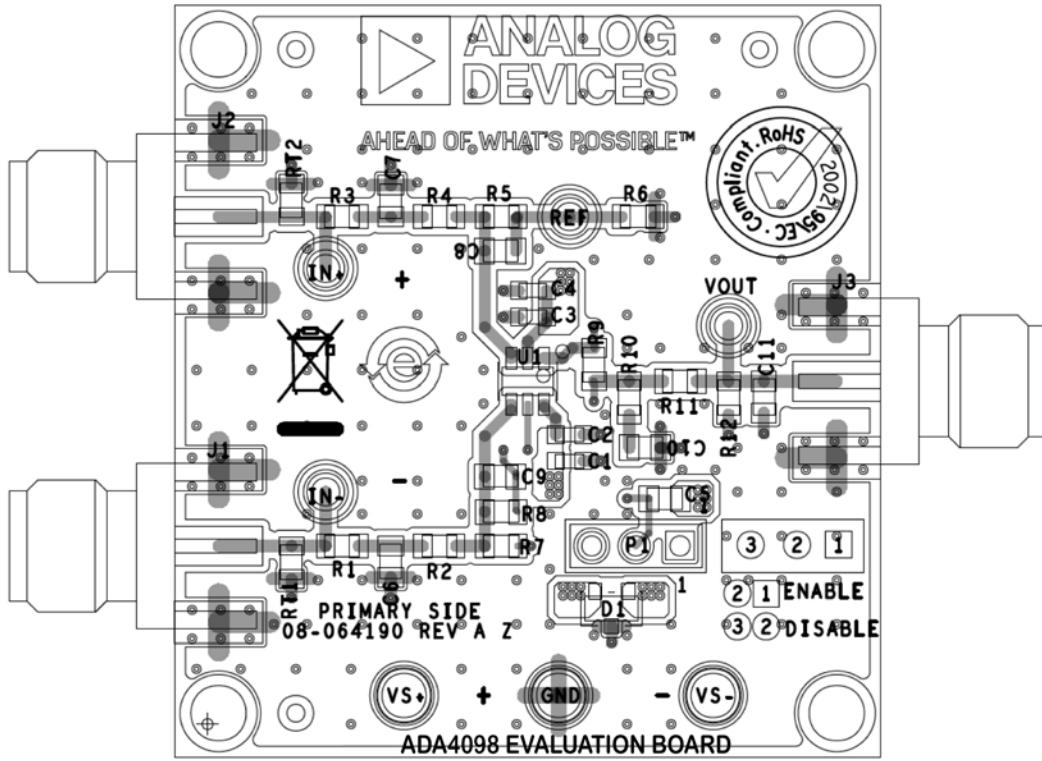


Figure 4. EVAL-ADA4098-1HUJZ Layout Pattern, Primary Side

26298-004

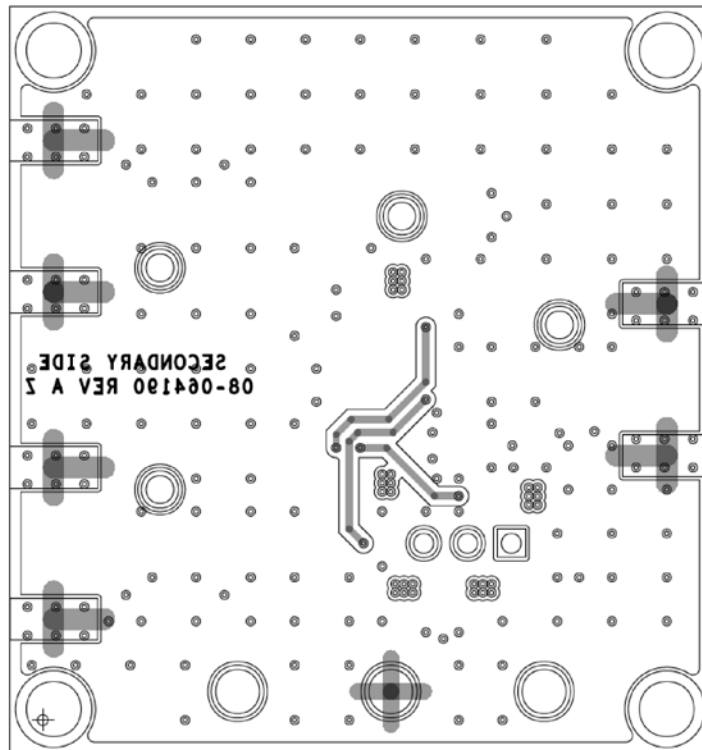


Figure 5. EVAL-ADA4098-1HUJZ Layout Pattern, Secondary Side

26298-005

## ORDERING INFORMATION

## BILL OF MATERIALS

Table 1.

Qty	Reference Designator	Description	Supplier	Part Number
1	U1	50 V, 1 MHz, 165 $\mu$ A, robust Over-The-Top precision op amp	Analog Devices	ADA4098-1HUJZ
2	C1, C4	Ceramic capacitors, X5R, 0603, 10 $\mu$ F	Murata	GRM188R61E106KA73D
2	C2, C3	Ceramic capacitors, X7R, 0603, 0.1 $\mu$ F	Kemet	C0603C104K3RACTU
1	C5	Ceramic capacitors, X7R, 0805, 1 nF	Wurth Elektronik	885012207007
1	C7	Ceramic capacitors, X7R, 0805, 100 nF	AVX	08051A101JAT2A
5	C6, C8 to C11	Capacitors, 0805, do not install (DNI), user defined	Not applicable	Not applicable
1	D1	Diode Schottky barrier	ON Semiconductor	BAS70-04LT1G
3	GND, VS+, VS-	Printed circuit board (PCB) connector, terminal turrets	Mill-Max	2501-2-00-80-00-00-07-0
4	IN+, IN-, REF, VOUT	PCB connector, bulk test points	Keystone Electronics	5006
3	J1, J2, J3	Coax SMA end launch	Cinch	142-0701-801
1	P1	PCB connector, 3-position, male header	Multicomp (SPC)	2211S-03G
1	R4	Resistor, 220 $\Omega$	Multicomp (SPC)	MC 0.1 W 0805 1% 220R.
1	R11	Resistors, 49.9 $\Omega$	Panasonic	ERA-6AEB49R9V
9	R1, R2, R5 to R7, R10, R12, RT1, RT2	Resistors, 0805, DNI, user defined	Not applicable	Not applicable
3	R3, R8, R9	Resistors, 0 $\Omega$	Vishay	CRCW08050000Z0EA

**ESD Caution**

**ESD (electrostatic discharge) sensitive device.** Charged devices and circuit boards can discharge without detection. Although this product features patented or proprietary protection circuitry, damage may occur on devices subjected to high energy ESD. Therefore, proper ESD precautions should be taken to avoid performance degradation or loss of functionality.

**Legal Terms and Conditions**

By using the evaluation board discussed herein (together with any tools, components documentation or support materials, the "Evaluation Board"), you are agreeing to be bound by the terms and conditions set forth below ("Agreement") unless you have purchased the Evaluation Board, in which case the Analog Devices Standard Terms and Conditions of Sale shall govern. Do not use the Evaluation Board until you have read and agreed to the Agreement. Your use of the Evaluation Board shall signify your acceptance of the Agreement. This Agreement is made by and between you ("Customer") and Analog Devices, Inc. ("ADI"), with its principal place of business at One Technology Way, Norwood, MA 02062, USA. Subject to the terms and conditions of the Agreement, ADI hereby grants to Customer a free, limited, personal, temporary, non-exclusive, non-sublicensable, non-transferable license to use the Evaluation Board FOR EVALUATION PURPOSES ONLY. Customer understands and agrees that the Evaluation Board is provided for the sole and exclusive purpose referenced above, and agrees not to use the Evaluation Board for any other purpose. Furthermore, the license granted is expressly made subject to the following additional limitations: Customer shall not (i) rent, lease, display, sell, transfer, assign, sublicense, or distribute the Evaluation Board; and (ii) permit any Third Party to access the Evaluation Board. As used herein, the term "Third Party" includes any entity other than ADI, Customer, their employees, affiliates and in-house consultants. The Evaluation Board is NOT sold to Customer; all rights not expressly granted herein, including ownership of the Evaluation Board, are reserved by ADI. CONFIDENTIALITY. This Agreement and the Evaluation Board shall all be considered the confidential and proprietary information of ADI. Customer may not disclose or transfer any portion of the Evaluation Board to any other party for any reason. Upon discontinuation of use of the Evaluation Board or termination of this Agreement, Customer agrees to promptly return the Evaluation Board to ADI. ADDITIONAL RESTRICTIONS. Customer may not disassemble, decompile or reverse engineer chips on the Evaluation Board. Customer shall inform ADI of any occurred damages or any modifications or alterations it makes to the Evaluation Board, including but not limited to soldering or any other activity that affects the material content of the Evaluation Board. Modifications to the Evaluation Board must comply with applicable law, including but not limited to the RoHS Directive. TERMINATION. ADI may terminate this Agreement at any time upon giving written notice to Customer. Customer agrees to return to ADI the Evaluation Board at that time. LIMITATION OF LIABILITY. THE EVALUATION BOARD HEREUNDER IS PROVIDED "AS IS" AND ADI MAKES NO WARRANTIES OR REPRESENTATIONS OF ANY KIND WITH RESPECT TO IT. ADI SPECIFICALLY DISCLAIMS ANY REPRESENTATIONS, ENDORSEMENTS, GUARANTEES, OR WARRANTIES, EXPRESS OR IMPLIED, RELATED TO THE EVALUATION BOARD INCLUDING, BUT NOT LIMITED TO, THE IMPLIED WARRANTY OF MERCHANTABILITY, TITLE, FITNESS FOR A PARTICULAR PURPOSE OR NON-INFRINGEMENT OF INTELLECTUAL PROPERTY RIGHTS. IN NO EVENT WILL ADI AND ITS LICENSORS BE LIABLE FOR ANY INCIDENTAL, SPECIAL, INDIRECT, OR CONSEQUENTIAL DAMAGES RESULTING FROM CUSTOMER'S POSSESSION OR USE OF THE EVALUATION BOARD, INCLUDING BUT NOT LIMITED TO LOST PROFITS, DELAY COSTS, LABOR COSTS OR LOSS OF GOODWILL. ADI'S TOTAL LIABILITY FROM ANY AND ALL CAUSES SHALL BE LIMITED TO THE AMOUNT OF ONE HUNDRED US DOLLARS (\$100.00). EXPORT. Customer agrees that it will not directly or indirectly export the Evaluation Board to another country, and that it will comply with all applicable United States federal laws and regulations relating to exports. GOVERNING LAW. This Agreement shall be governed by and construed in accordance with the substantive laws of the Commonwealth of Massachusetts (excluding conflict of law rules). Any legal action regarding this Agreement will be heard in the state or federal courts having jurisdiction in Suffolk County, Massachusetts, and Customer hereby submits to the personal jurisdiction and venue of such courts. The United Nations Convention on Contracts for the International Sale of Goods shall not apply to this Agreement and is expressly disclaimed.