

8 7 6 5 4 3 2 1

THIS DRAWING IS THE PROPERTY OF ANALOG DEVICES INC. IT IS NOT TO BE REPRODUCED OR COPIED, IN WHOLE OR IN PART, OR USED IN FURNISHING INFORMATION TO OTHERS, OR FOR ANY OTHER PURPOSE DETRIMENTAL TO THE INTERESTS OF ANALOG DEVICES. THE EQUIPMENT SHOWN HEREON MAY BE PROTECTED BY PATENTS OWNED OR CONTROLLED BY ANALOG DEVICES.

JUMPER TABLE		
JP#	ON	OFF
1		
2		
3		
4		
5		

REVISIONS			
REV	DESCRIPTION	DATE	APPROVED
A	INITIAL RELEASE	24NOV18	J.VIERNES
B	AS PER ECR-086419	26APR19	J.VIERNES

RELAY CONTROL CHART

CONTROL	CODE	DEVICE	FUNCTION	CONNECTOR

\* SEE ASSEMBLY INSTRUCTIONS

D

D

C

C


B

B

A

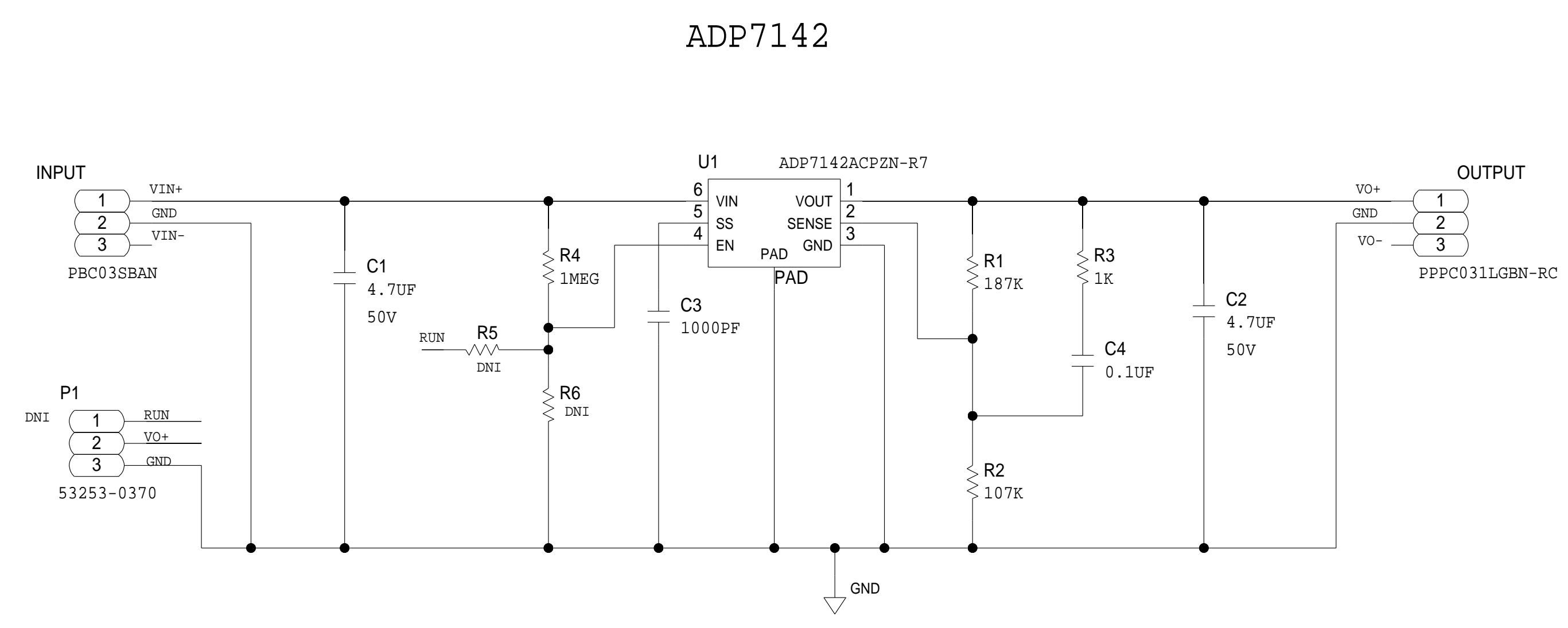
A


P.O SPEC.	BK/BD SPEC.	SOCKET OEM	OEM PART#	HANDLER

TEMPLATE ENGINEER - HARDWARE SERVICES M. JOSE HARDWARE SYSTEMS - TEST ENGINEER - COMPONENT ENGINEER A. CAULLAN TEST PROCESS - HARDWARE RELEASE K. JABATAN DESIGNER N. CORDOVA PTD ENGINEER J. VIERNES CHECKER -		DATE 24NOV18 24NOV18 24NOV18 24NOV18 24NOV18 24NOV18 24NOV18 24NOV18		<b>SCHEMATIC</b>				HW TYPE : SCP EVAL-Z Product(s) : ADP7142 : ADP7142 PACKAGE : 8-lead 5X5X1.8 SOIC_N_EP-family : Pitch-pitch StyleVendor Style		<User Define> <User Define> <User Define>		MASTER PROJECT TEMPLATE TBD TESTER TEMPLATE no_template		DRAWING NO. 02_051388		REV. B			
<small>UNLESS OTHERWISE SPECIFIED DIMENSIONS ARE IN INCHES</small>												SIZE <b>D</b>		SCALE 1:1		CODE ID NO. CodeID		SHEET 1 OF 2	
<small>TOLERANCES</small> DECIMALS X.XX +0.010 X.XXX +0.005 FRACTIONS +1/32 ANGLES +2																			

8 7 6 5 4 3 2 1

REVISIONS			
REV	DESCRIPTION	DATE	APPROVED



	<b>SCHEMATIC</b>		
	HW TYPE : SCP EVAL-Z Product (s) : ADP7142 : ADP7142		
	DESIGN VIEW <DESIGN_VIEW>	DRAWING NO. 02_051388	REV B
PTD ENGINEER J. VIERNES	SIZE D	SCALE 1:1	SHEET 2 OF 2