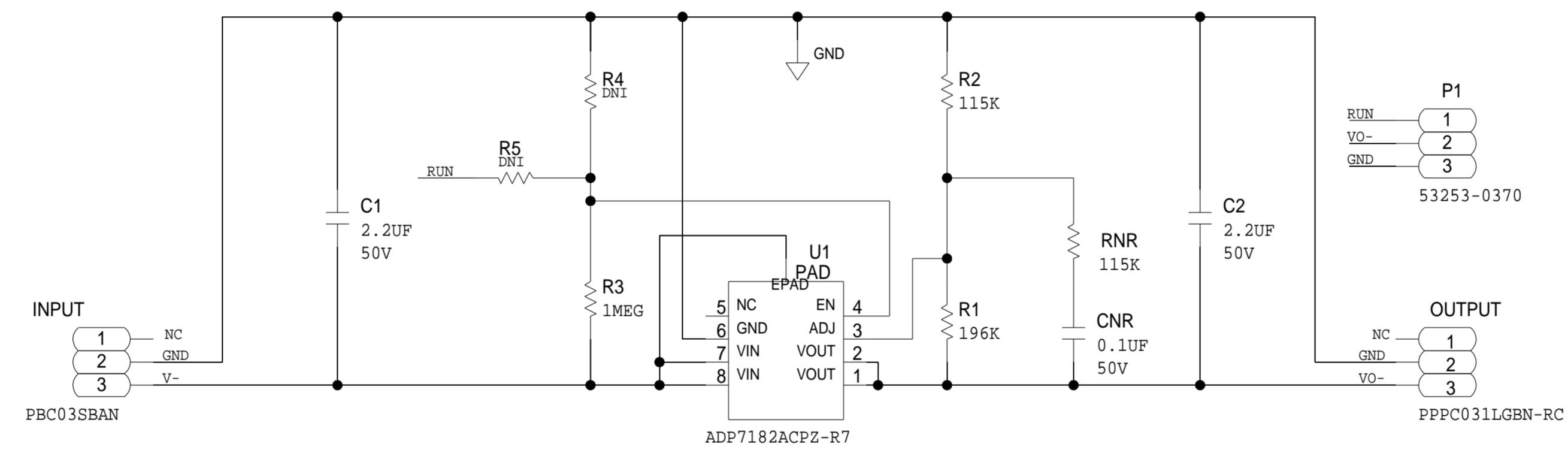


REVISIONS			
REV	DESCRIPTION	DATE	APPROVED

ADP7182



	SCHEMATIC		
	HW TYPE : SCP EVAL-Z Product(s) : ADP7182 : ADP7182		
	DESIGN VIEW <DESIGN_VIEW>	DRAWING NO. 02_051389	REV B
	PTD ENGINEER A. SERQUINA	SIZE D	SCALE 1:1
		SHEET 2 OF 2	