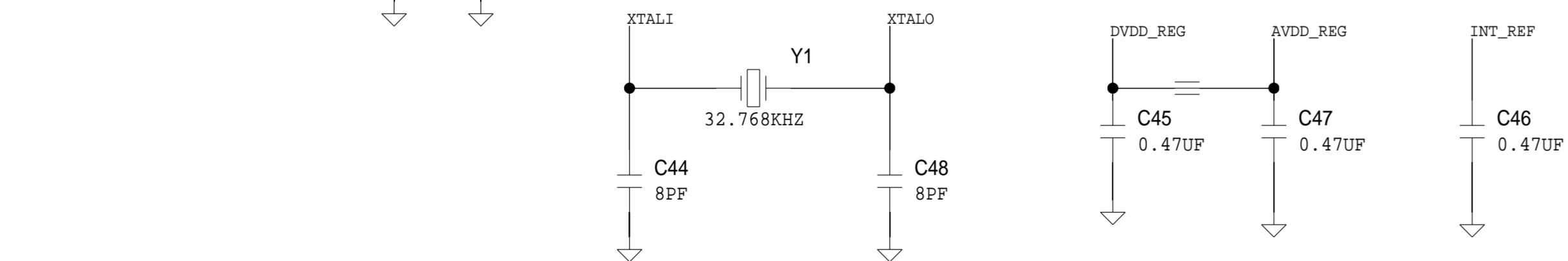
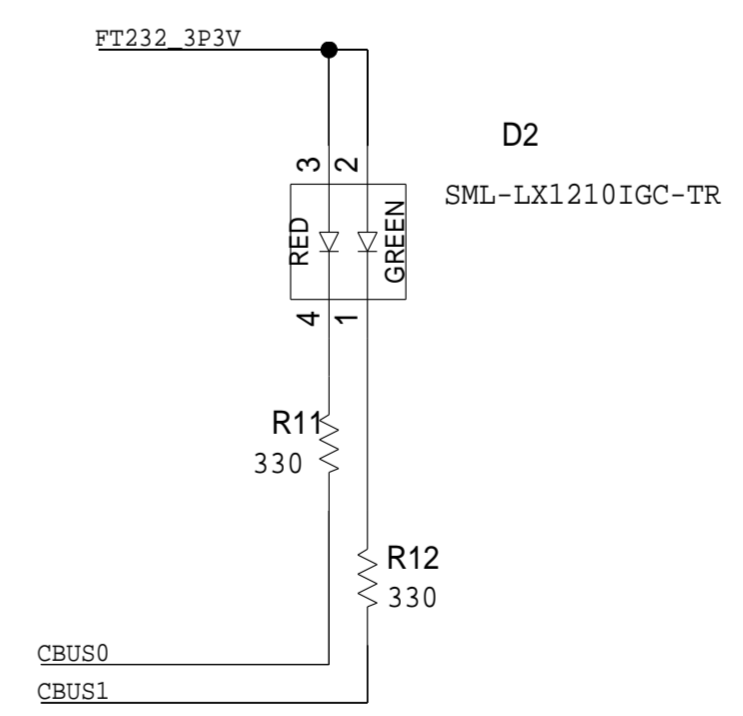
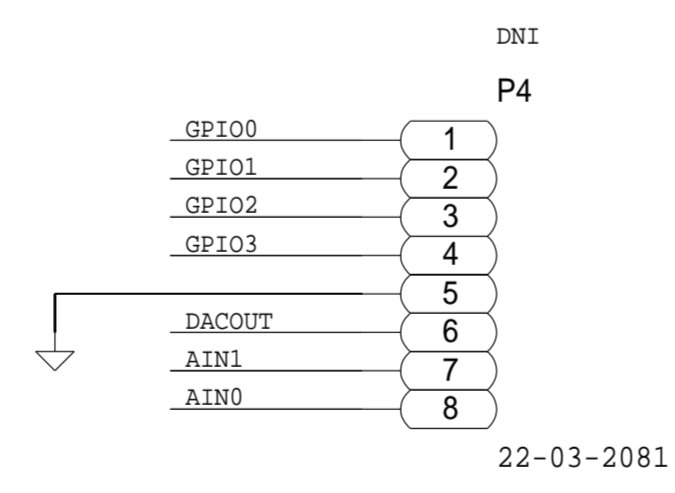
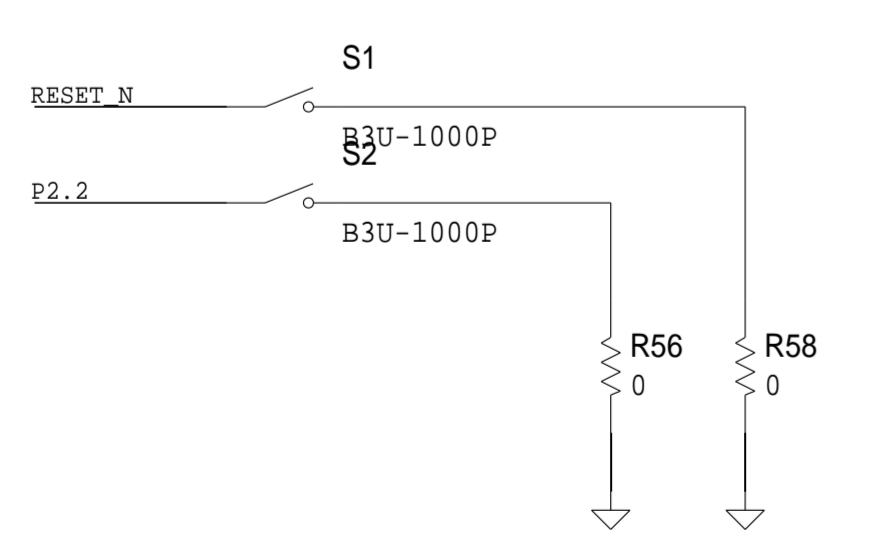
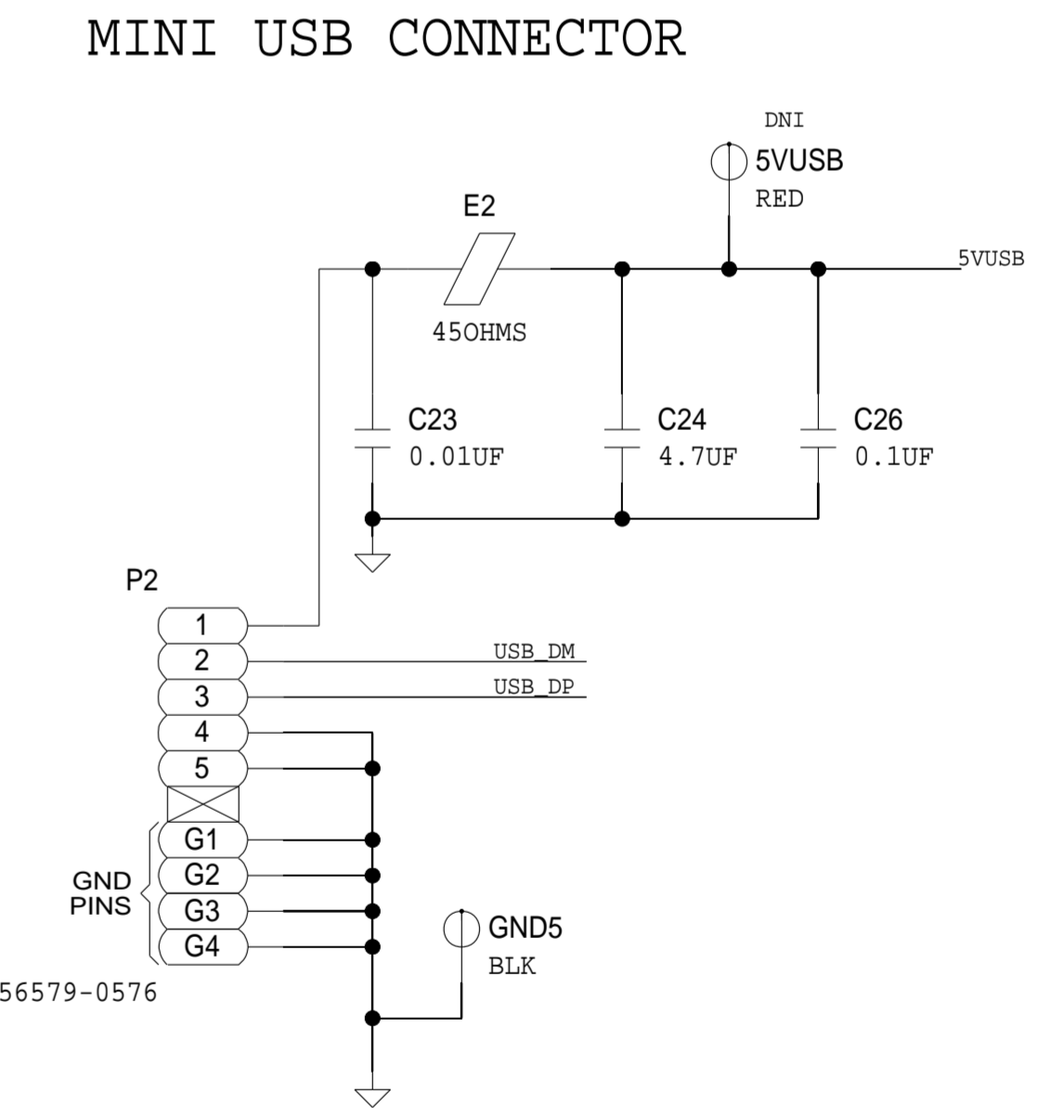
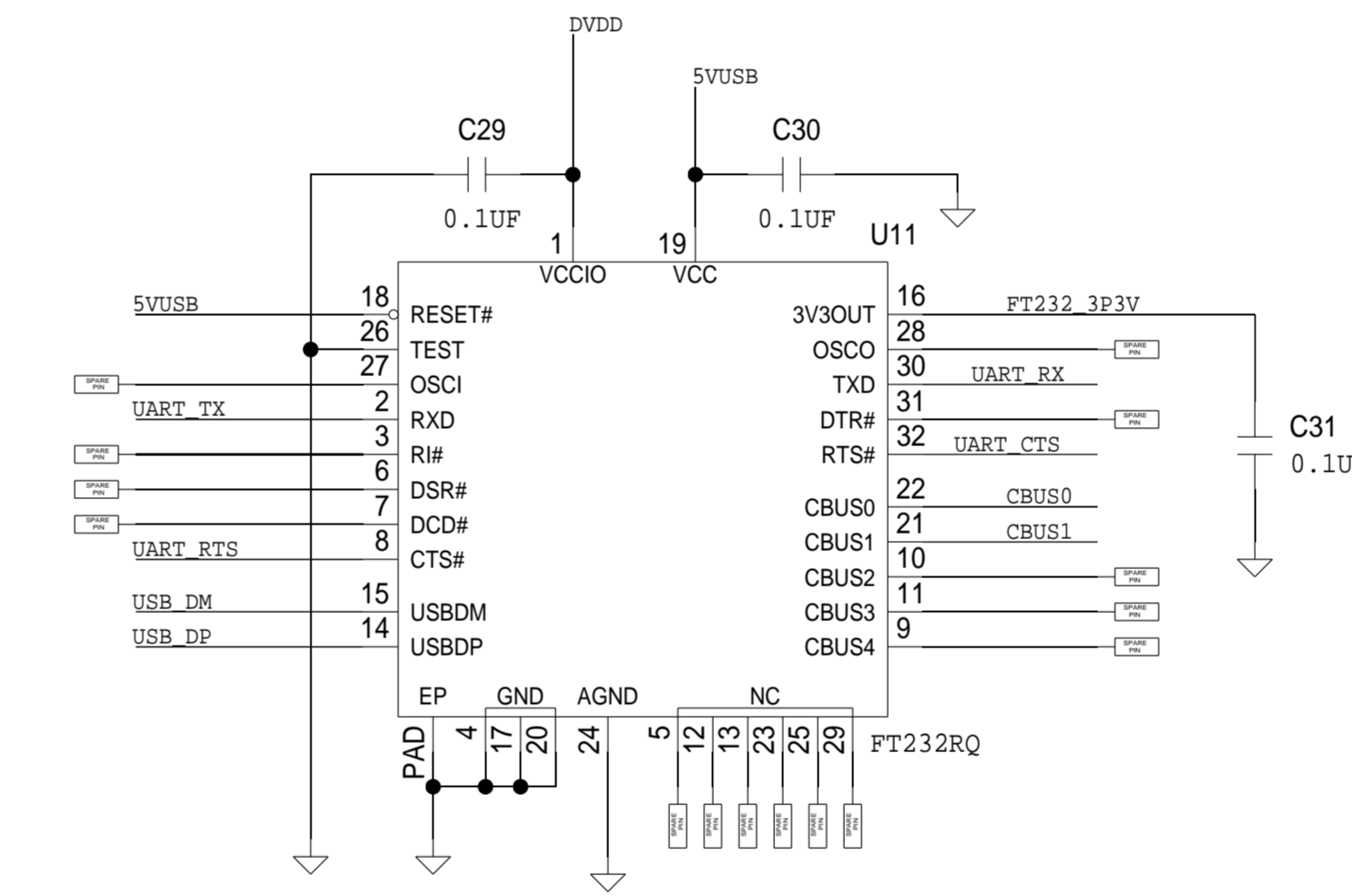
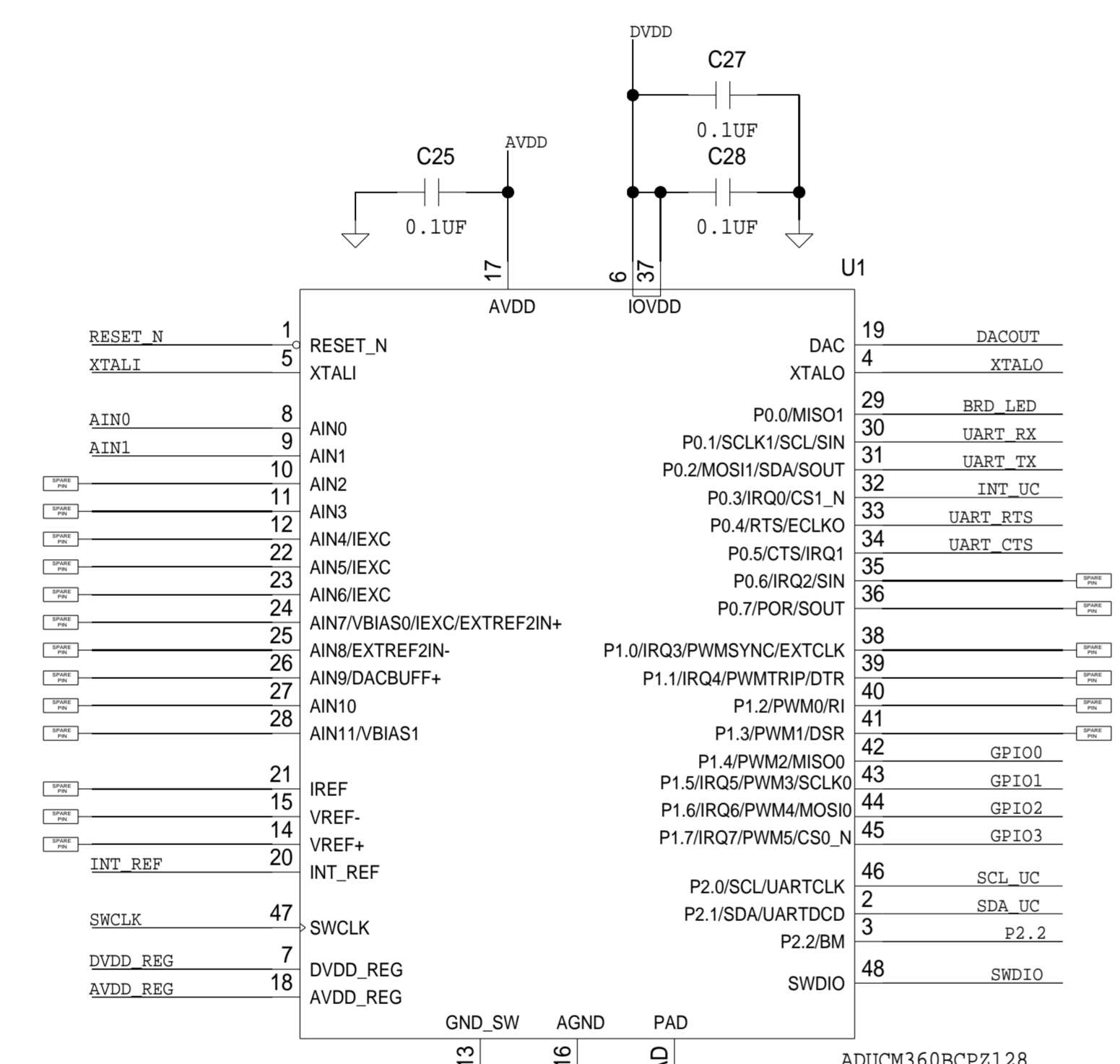
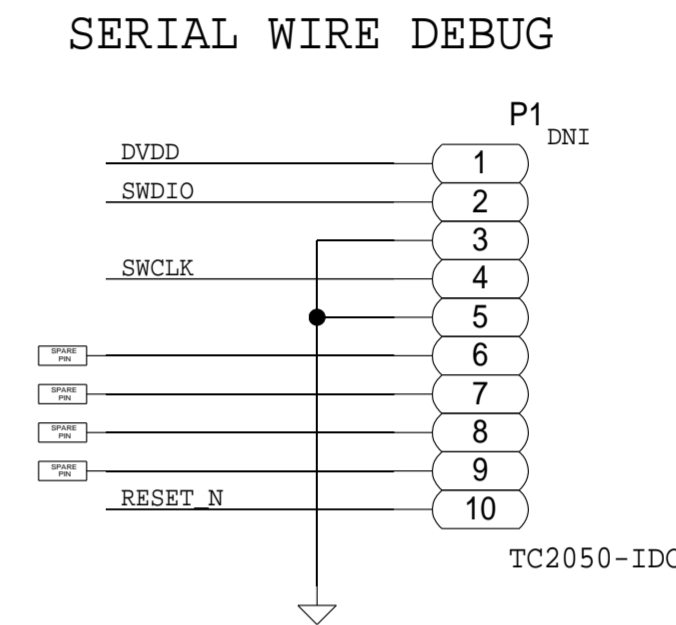
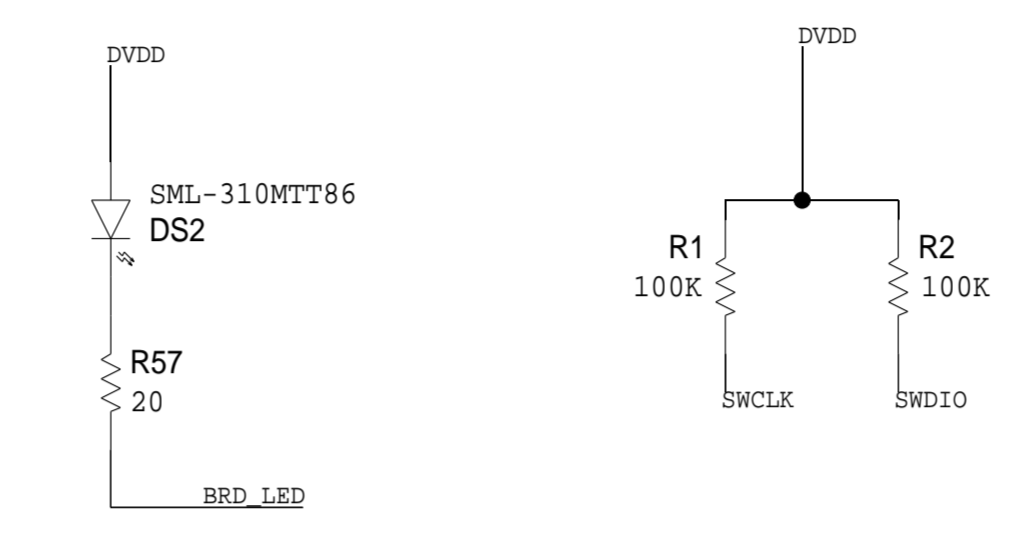
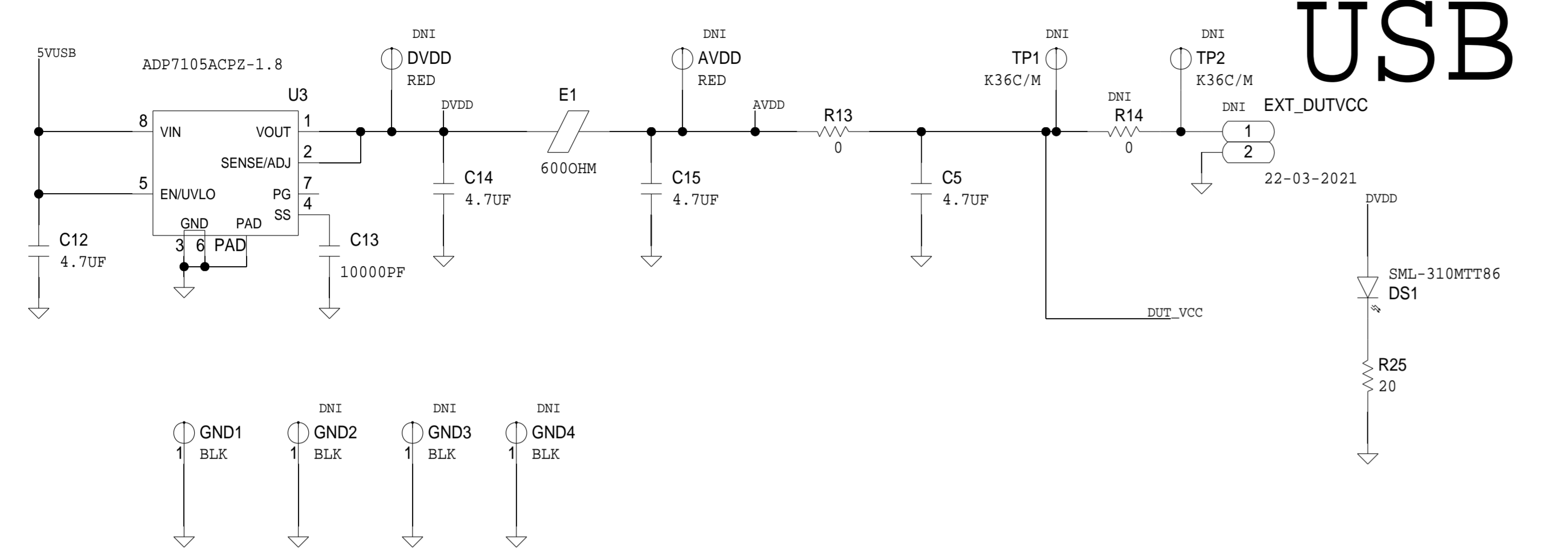




REVISIONS			
REV	DESCRIPTION	DATE	APPROVED

# USB TO I2C

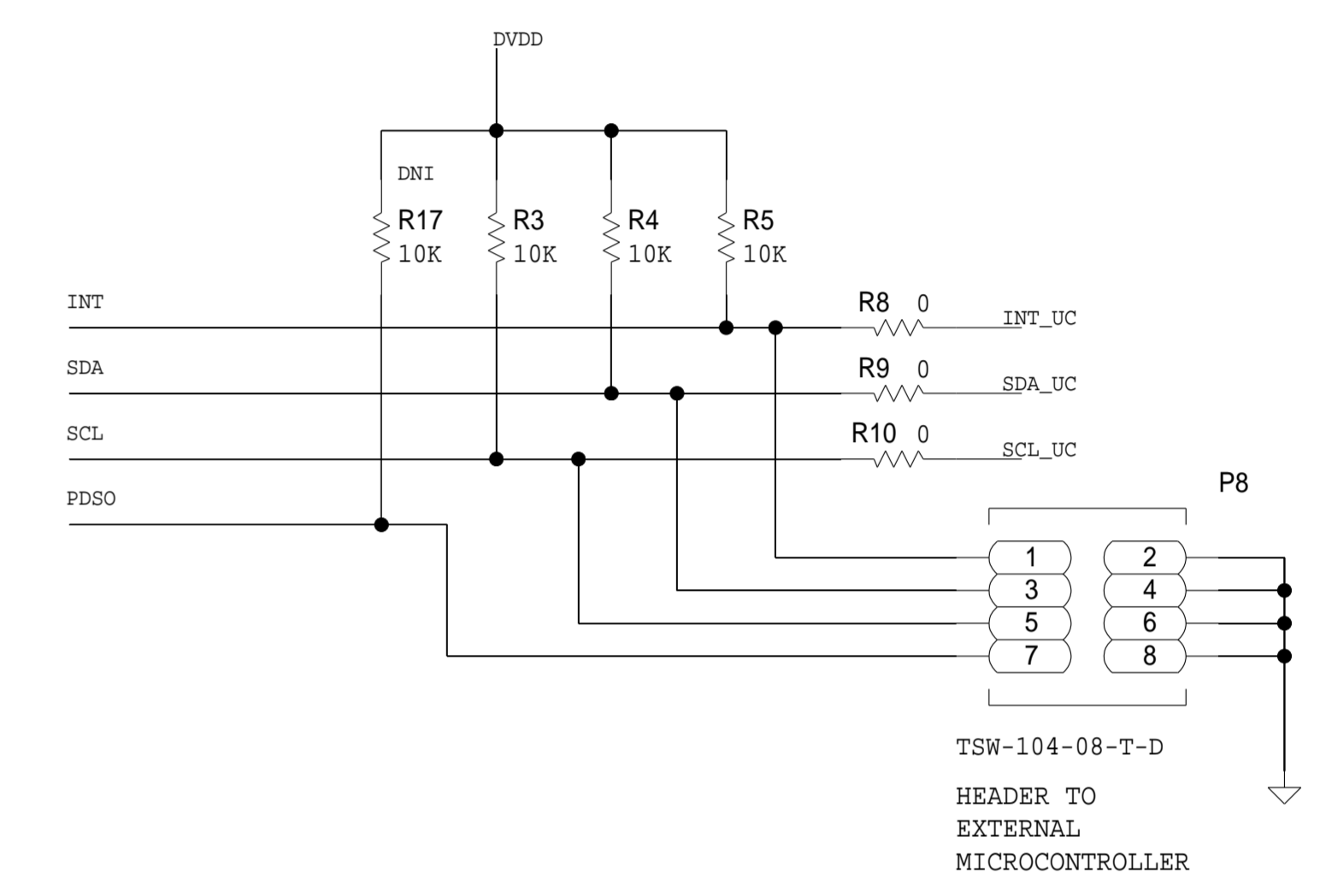
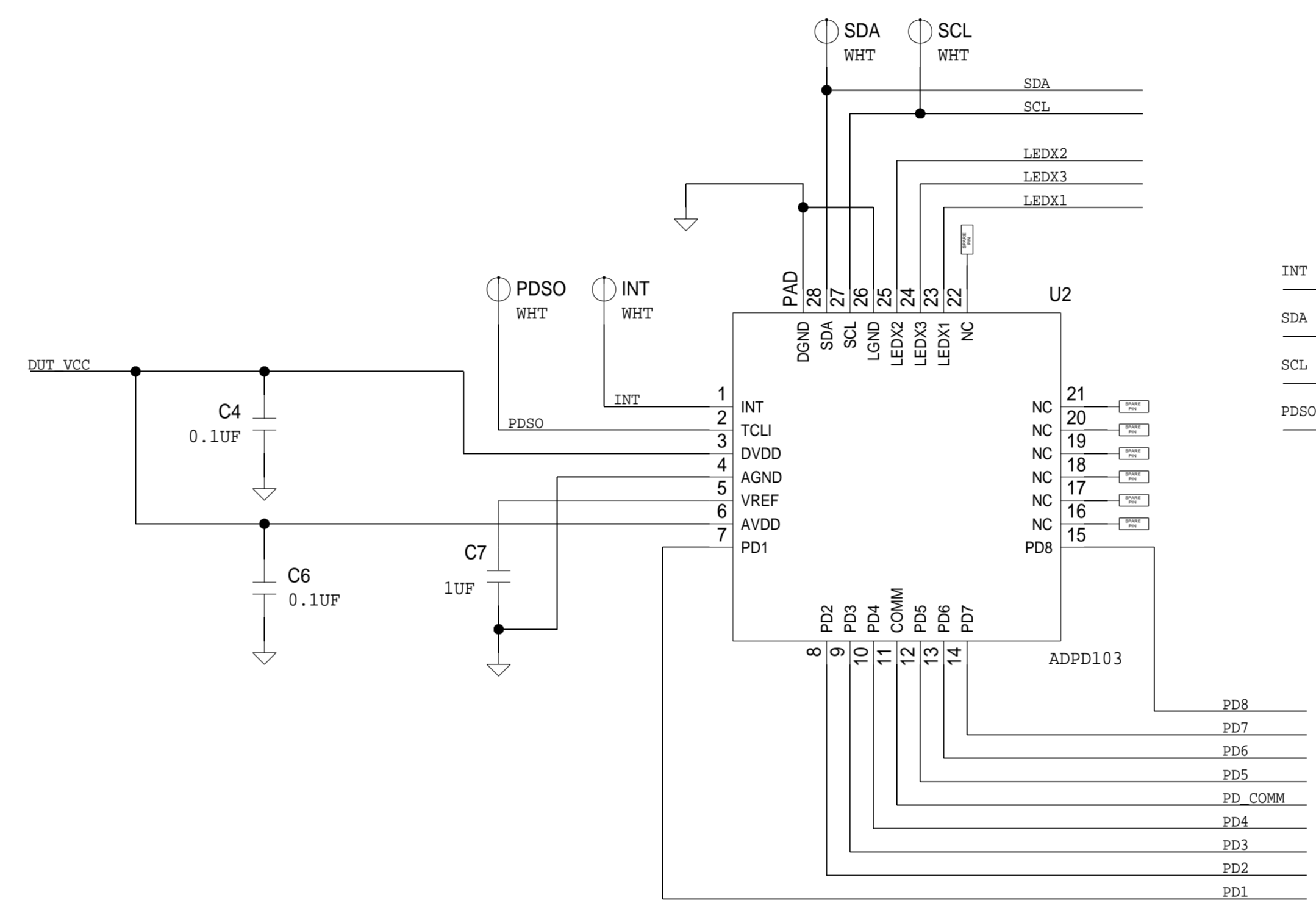
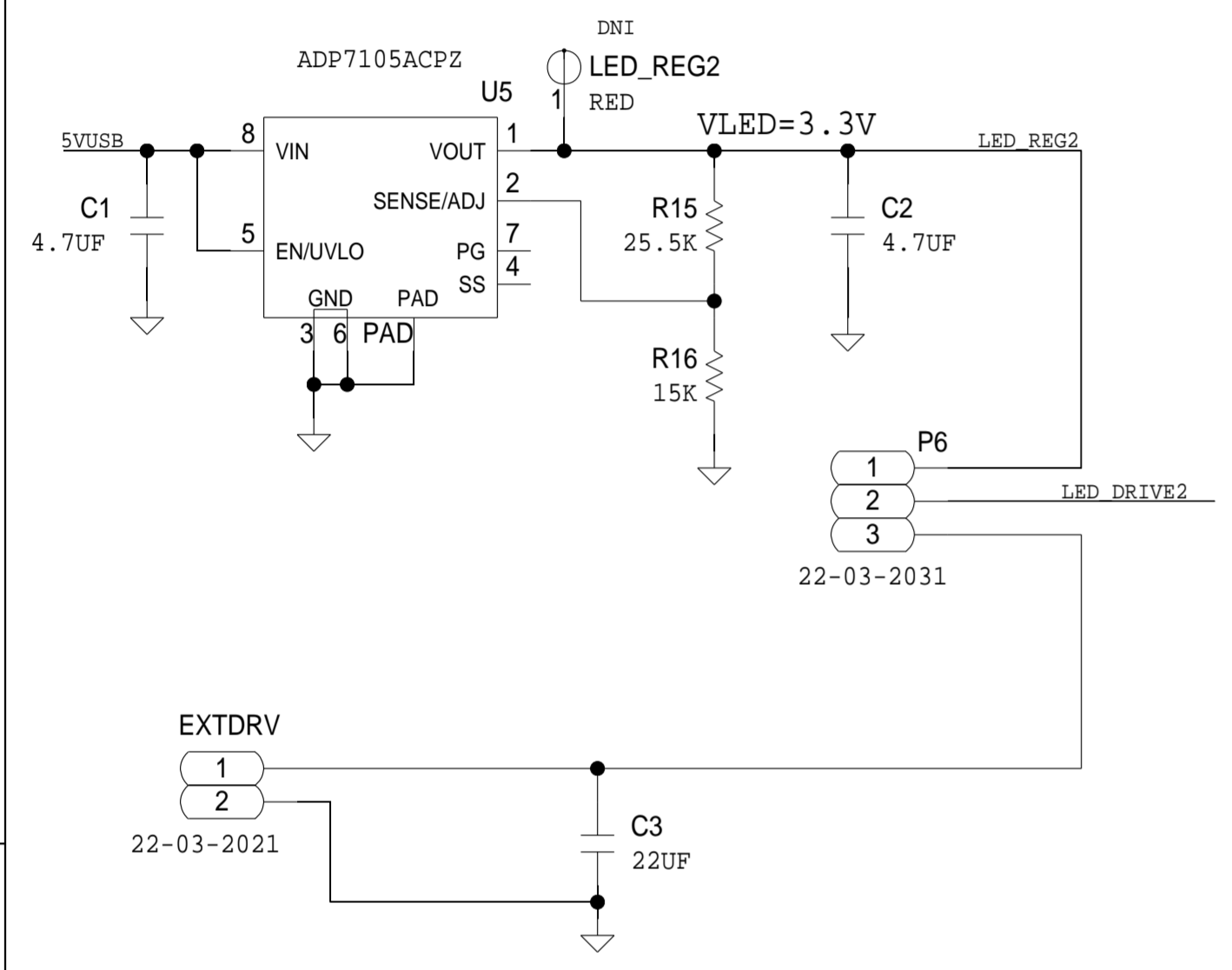
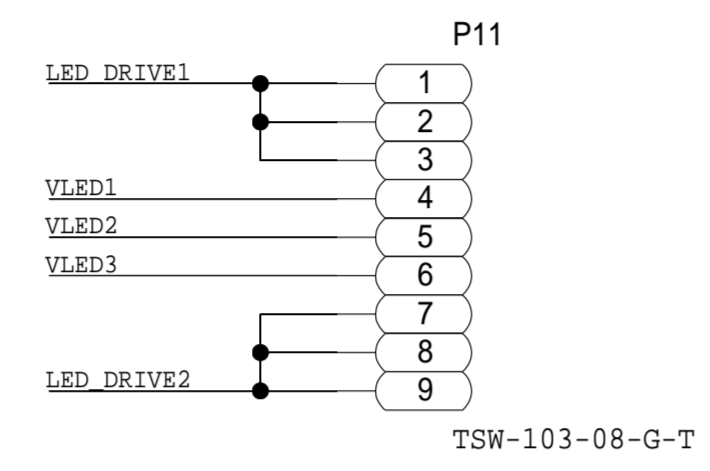
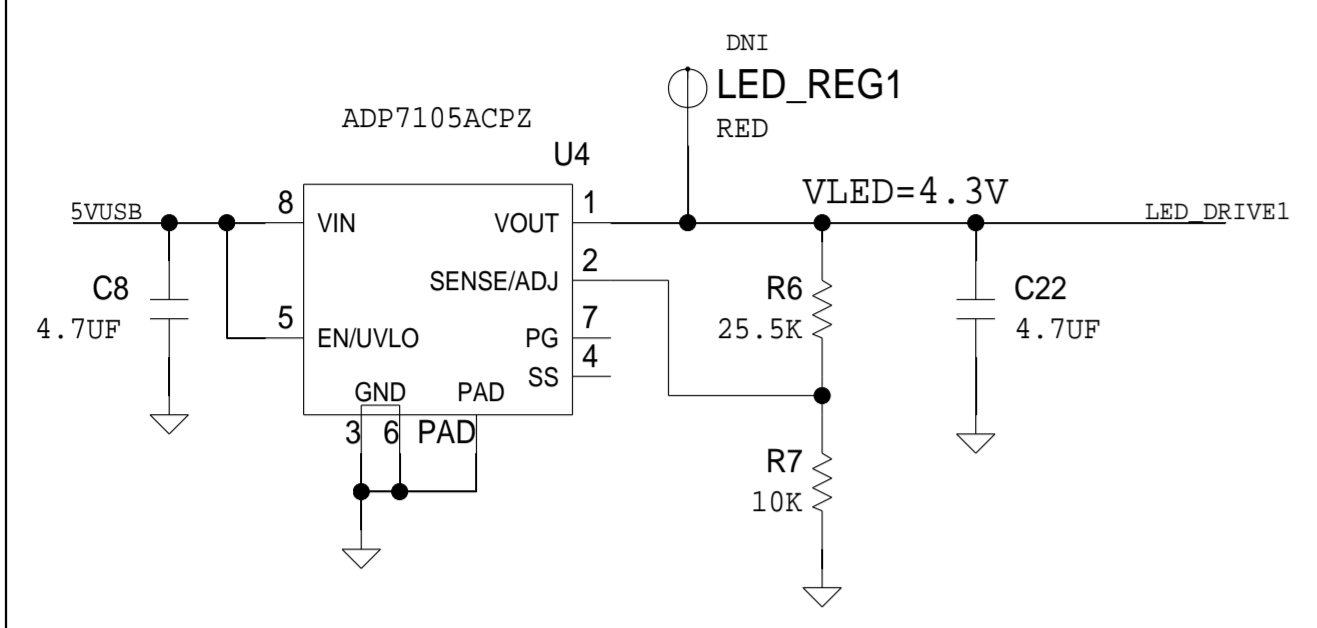


SCHEMATIC			
		HW TYPE : Customer Evaluation Z Product(s) : ADPD103 : ADPD103	
DESIGN VIEW <DESIGN_VIEW>	DRAWING NO. 02_041319	REV A	
PTD ENGINEER K. BUCKLEY	SIZE D	SCALE 1:1	SHEET 2 OF 3

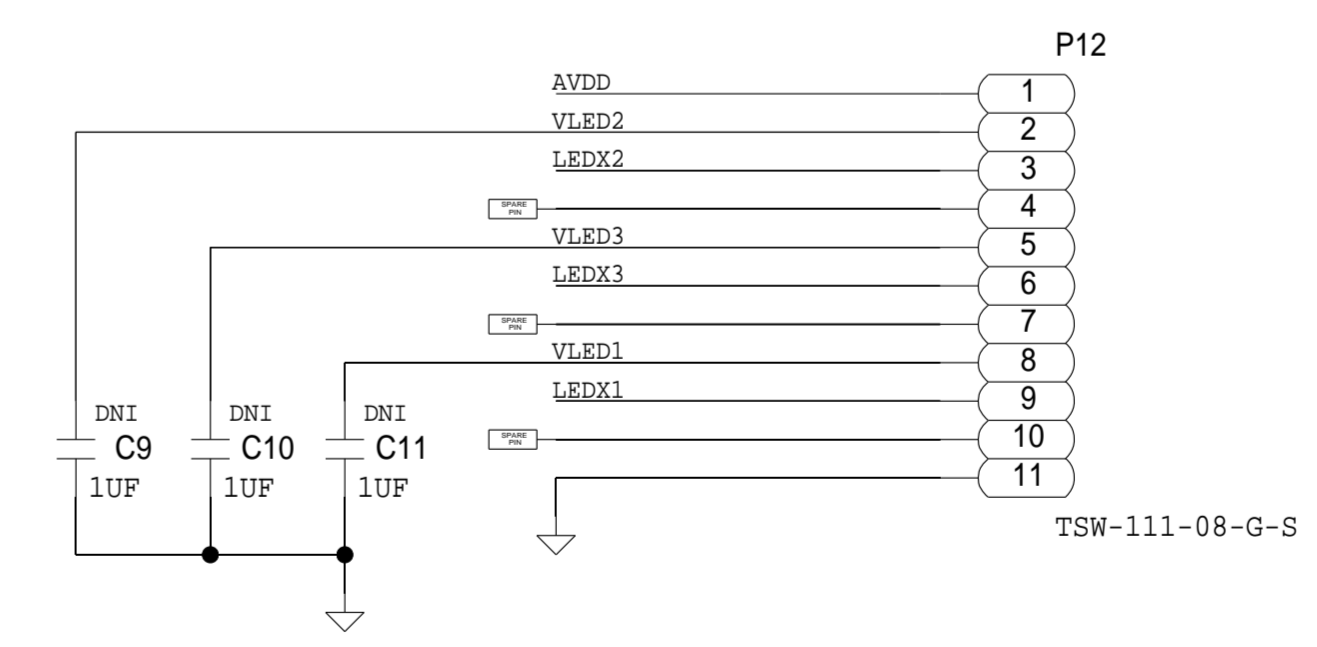
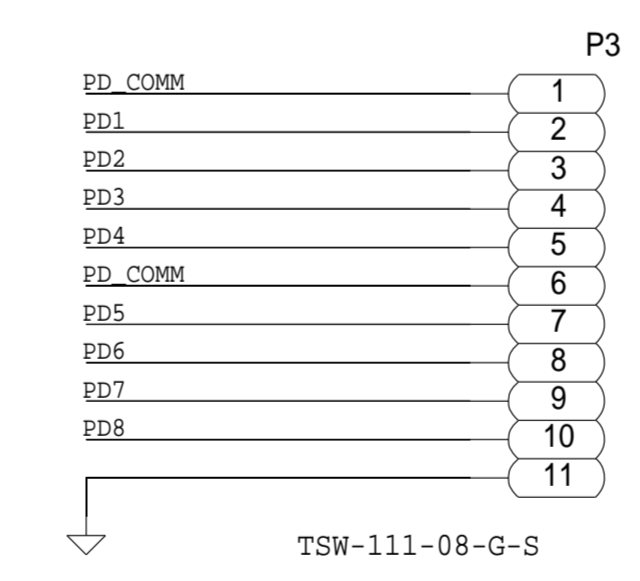
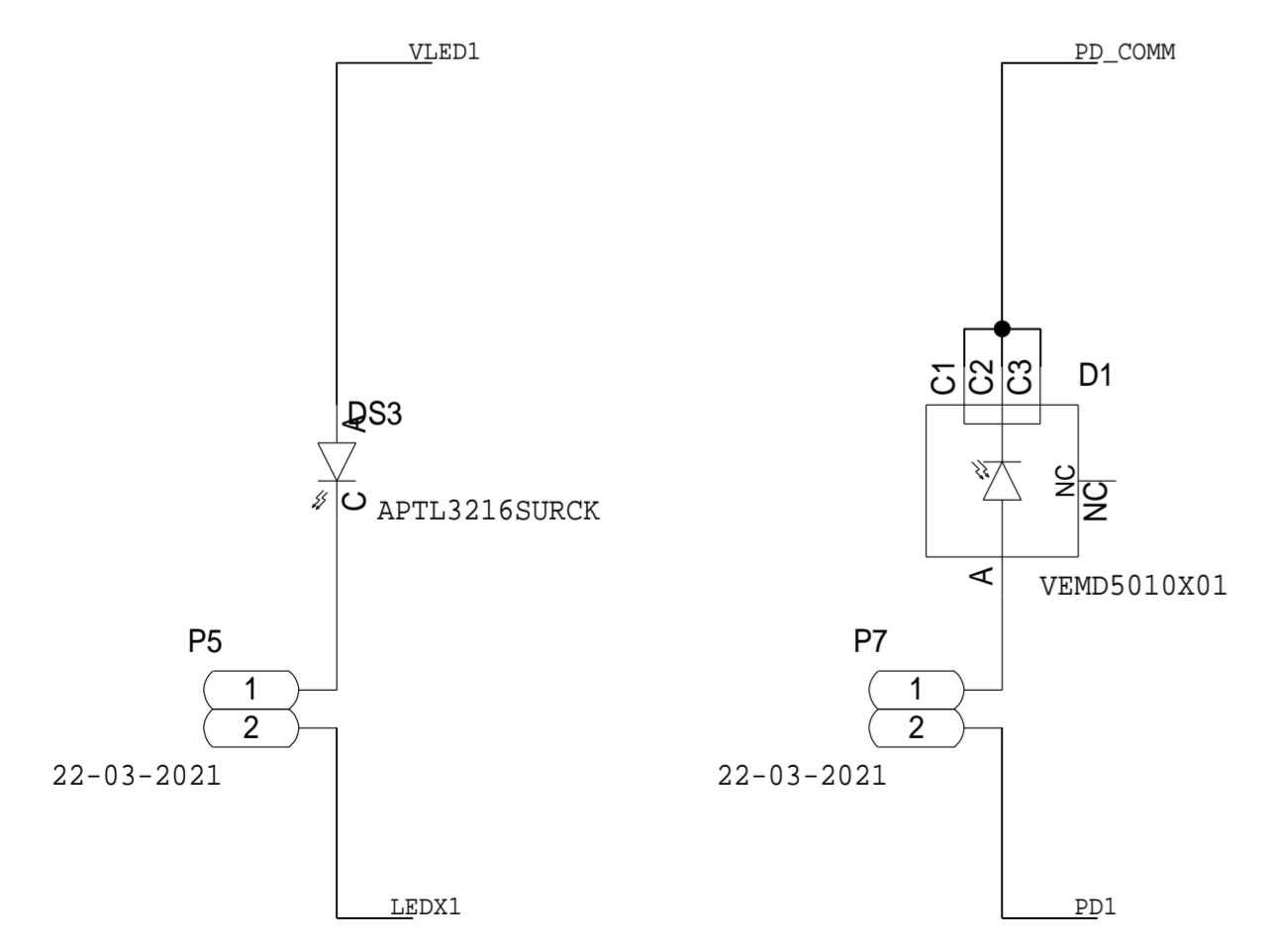
THIS DRAWING IS THE PROPERTY OF ANALOG DEVICES INC. IT IS NOT TO BE REPRODUCED OR COPIED, IN WHOLE OR IN PART, OR USED IN FURNISHING INFORMATION TO OTHERS, OR FOR ANY OTHER PURPOSE DETRIMENTAL TO THE INTERESTS OF ANALOG DEVICES. THE EQUIPMENT SHOWN HEREON MAY BE PROTECTED BY PATENTS OWNED OR CONTROLLED BY ANALOG DEVICES.

# ADPD103 INTERFACE

REVISIONS			
REV	DESCRIPTION	DATE	APPROVED



## PPG MEASUREMENT



	<b>SCHEMATIC</b>		
	HW TYPE : Customer Evaluation Z Product(s) : ADPD103 : ADPD103		
	DESIGN VIEW <DESIGN_VIEW>	DRAWING NO. 02_041319	REV A
	PTD ENGINEER K. BUCKLEY	SIZE D	SCALE 1:1
		SHEET 3 OF 3	