

4

3

2

1

D

D

C

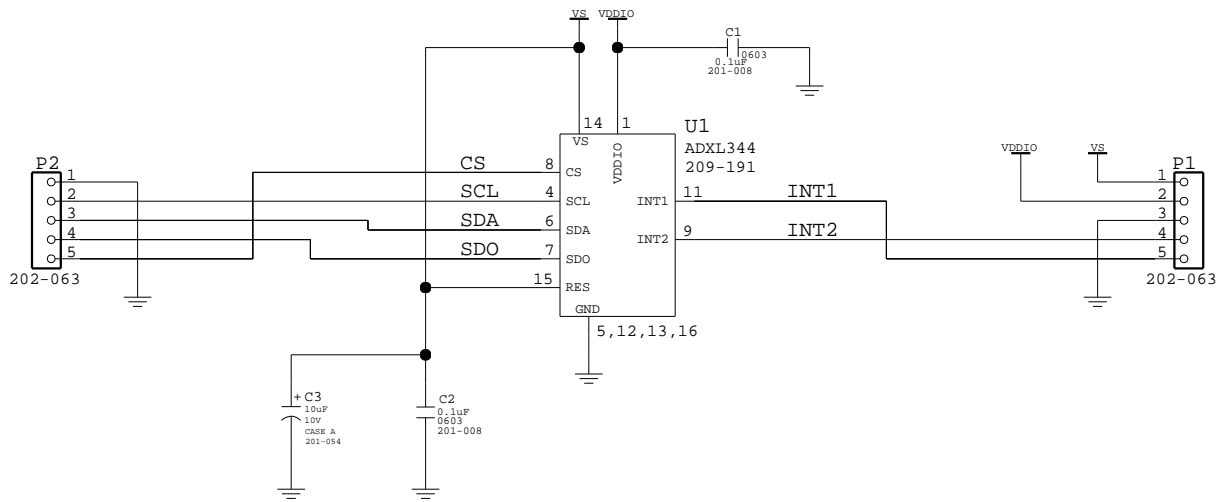
C

B

B

A

A



|                |            |          |               |
|----------------|------------|----------|---------------|
| ANALOG DEVICES |            |          |               |
| Title:         |            | ADXL344Z |               |
| Size           | Code:      | 301_479  | Rev:          |
| <b>A</b>       |            |          |               |
| Date:          | 2013-03-29 |          | Sheet: 1 of 1 |

4

3

2

1