

Analog Devices Welcomes Hittite Microwave Corporation

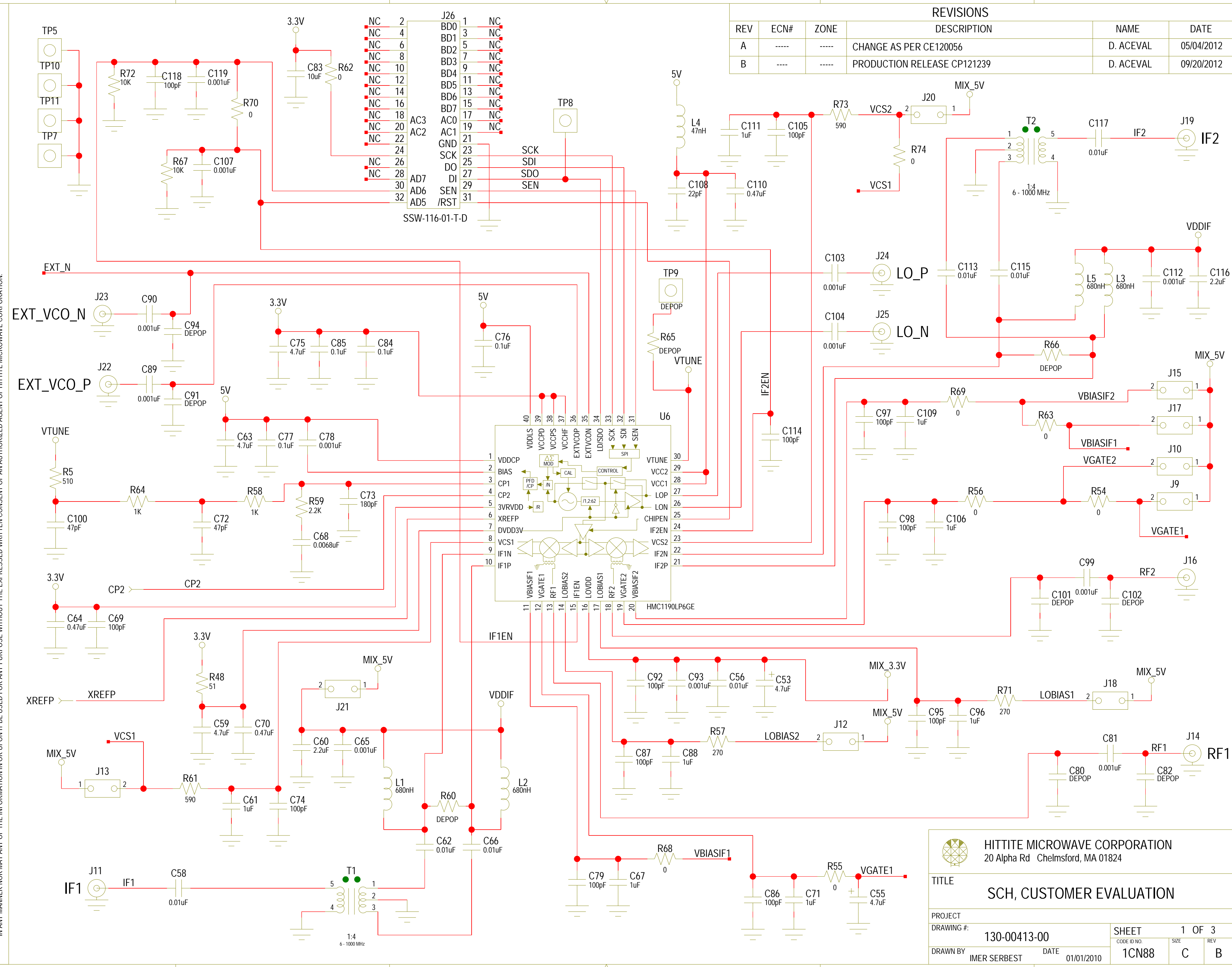
NO CONTENT ON THE ATTACHED DOCUMENT HAS CHANGED



THIS PAGE INTENTIONALLY LEFT BLANK

NOTICE OF PROPRIETARY PROPERTY: THIS DOCUMENT AND THE INFORMATION CONTAINED IN IT ARE THE PROPRIETARY PROPERTY OF HITTITE MICROWAVE CORPORATION. IT MAY NOT BE COPIED OR USED IN ANY MANNER NOR MAY ANY OF THE INFORMATION IN OR UPON IT BE USED FOR ANY PURPOSE WITHOUT THE EXPRESSED WRITTEN CONSENT OF AN AUTHORIZED AGENT OF HITTITE MICROWAVE CORPORATION.

REVISIONS					
REV	ECN#	ZONE	DESCRIPTION	NAME	DATE
A	----	----	CHANGE AS PER CE120056	D. ACEVAL	05/04/2012
B	----	----	PRODUCTION RELEASE CP121239	D. ACEVAL	09/20/2012



HITTITE MICROWAVE CORPORATION
20 Alpha Rd Chelmsford, MA 01824

TITLE
SCH, CUSTOMER EVALUATION

PROJECT
DRAWING #: 130-00413-00

DRAWN BY
IMER SERBEST

DATE
01/01/2010

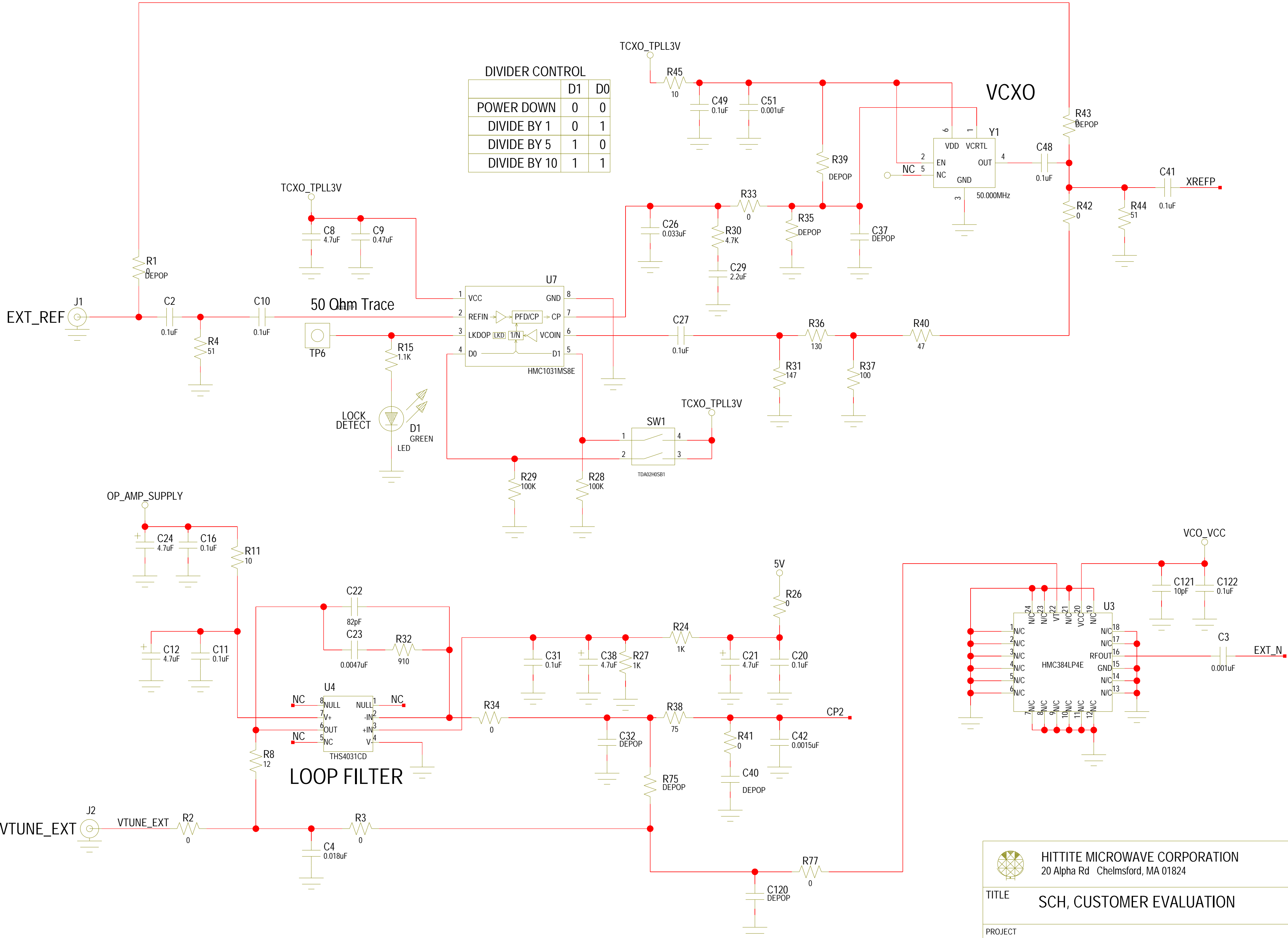
SHEET
1 OF 3

CODE ID NO.
1CN88

SIZE
C

REV
B

20-09-2012_08:43



DIVIDER CONTROL

	D1	D0
POWER DOWN	0	0
DIVIDE BY 1	0	1
DIVIDE BY 5	1	0
DIVIDE BY 10	1	1

HITTITE MICROWAVE CORPORATION
 20 Alpha Rd Chelmsford, MA 01824

TITLE SCH, CUSTOMER EVALUATION

PROJECT 130-00413-00

DRAWING #: 130-00413-00

SHEET 2 OF 3

DRAWN BY IMER SERBEST

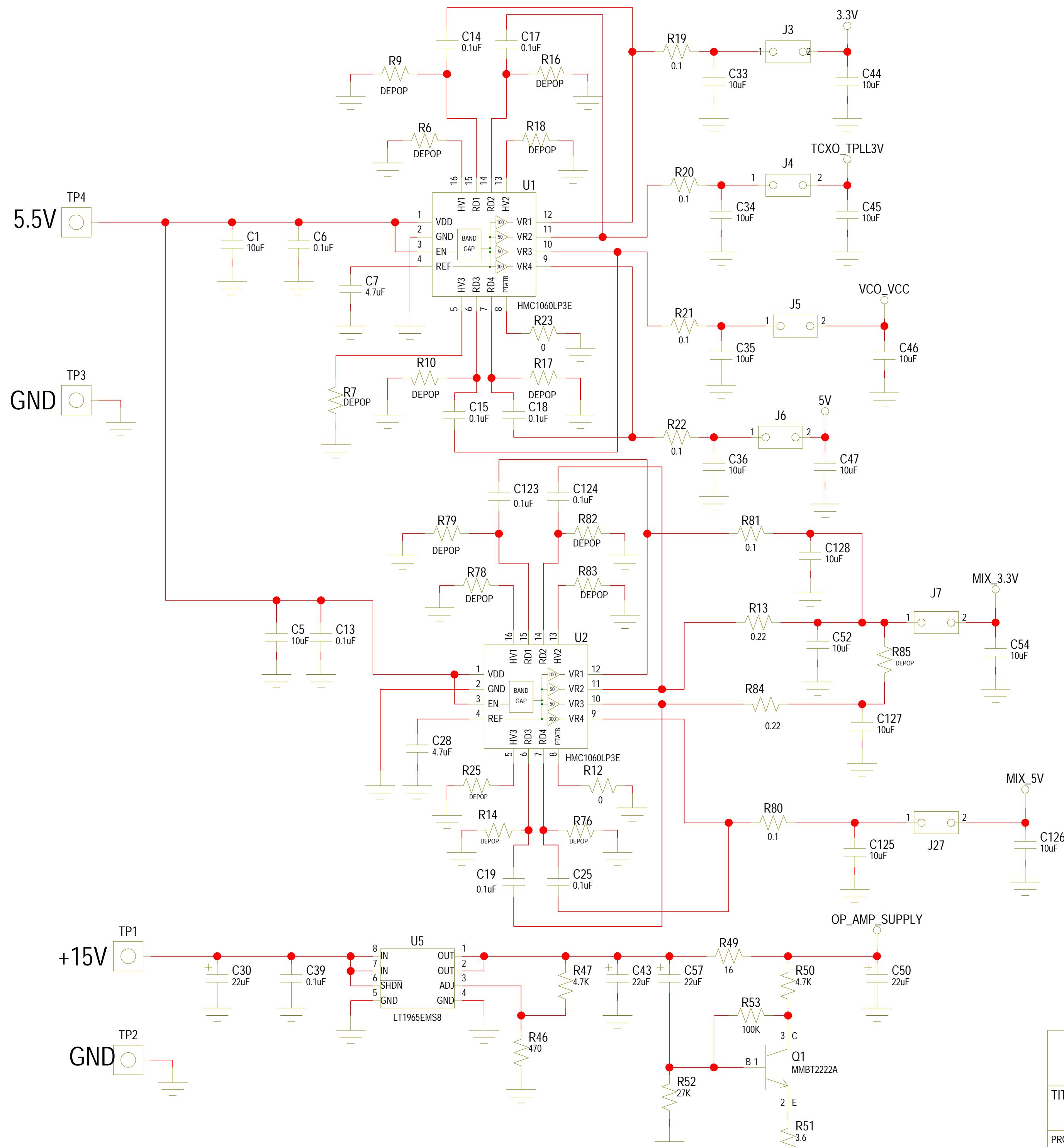
DATE 01/01/2010


CODE ID NO. 1CN88

SIZE C

REV B

20-09-2012_08:49



 HITTITE MICROWAVE CORPORATION 20 Alpha Rd Chelmsford, MA 01824				
TITLE SCH, CUSTOMER EVALUATION				
PROJECT DRAWING #: 130-00413-00				
DRAWN BY: IMER SERBEST		DATE: 01/01/2010		SHEET: 3 OF 3
CODE ID NO.: 1CN88		SIZE: C		REV: B
17-09-2012_09:07				