

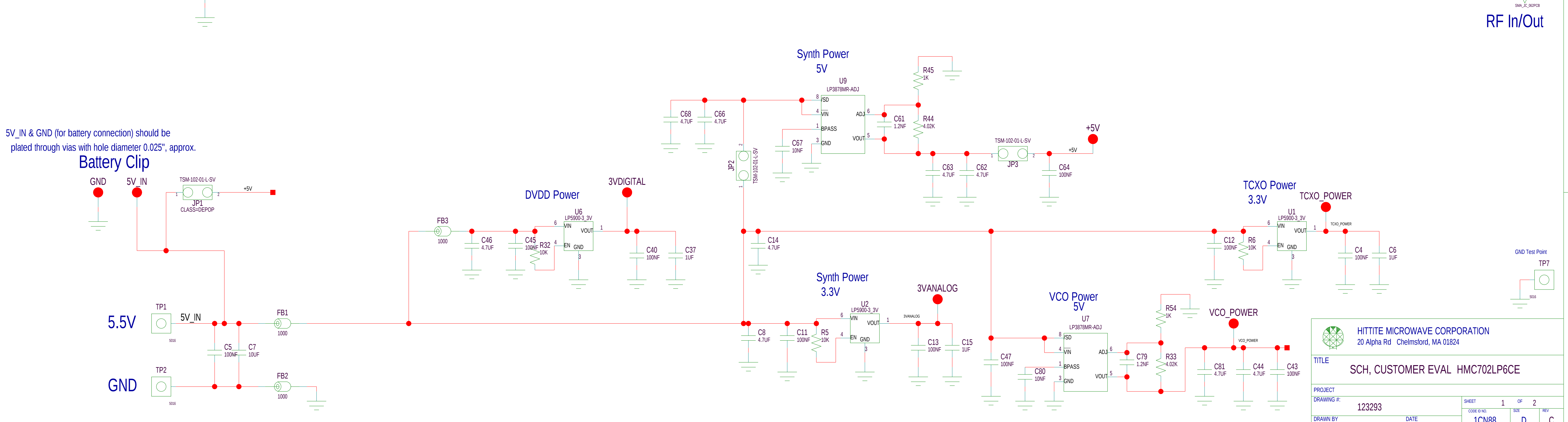
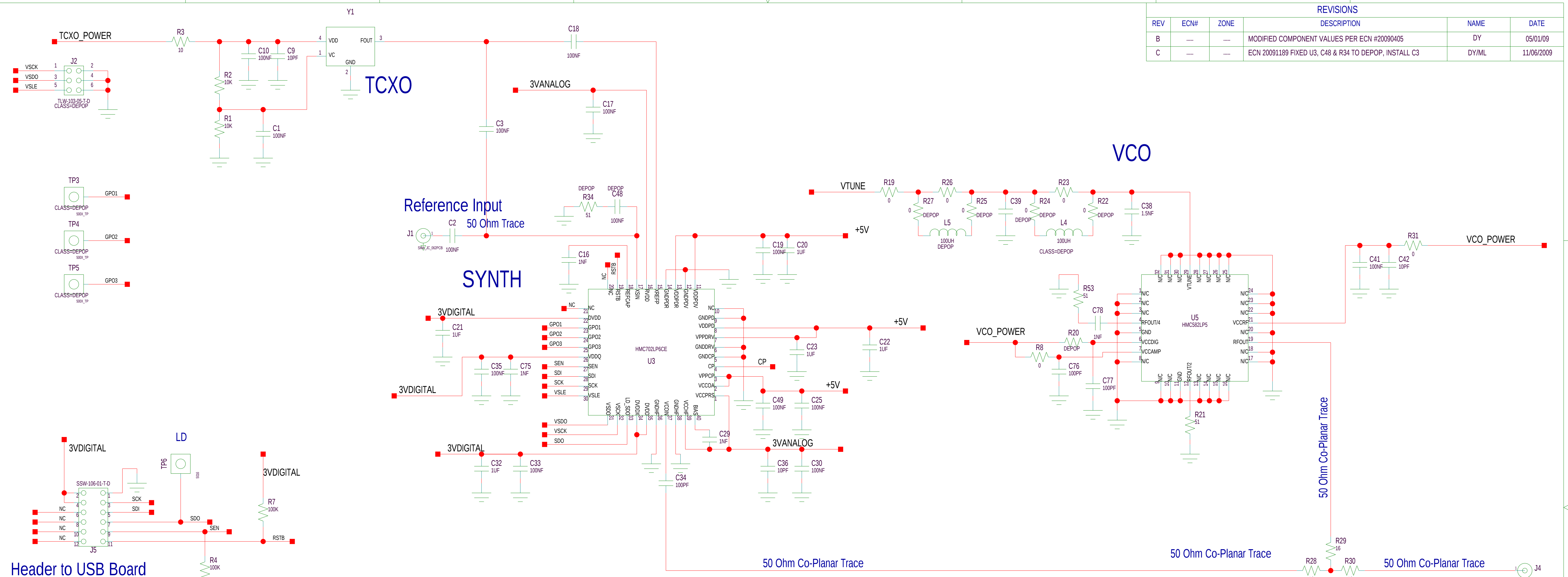
Analog Devices Welcomes Hittite Microwave Corporation

NO CONTENT ON THE ATTACHED DOCUMENT HAS CHANGED



THIS PAGE INTENTIONALLY LEFT BLANK

REVISIONS					
REV	ECN#	ZONE	DESCRIPTION	NAME	DATE
B	MODIFIED COMPONENT VALUES PER ECN #20090405	DY	05/01/09
C	ECN 20091189 FIXED U3, C48 & R34 TO DEPOP, INSTALL C3	DY/ML	11/06/2009



5V_IN & GND (for battery connection) should be plated through vias with hole diameter 0.025", approx.

NOTICE OF PROPRIETARY PROPERTY: THIS DOCUMENT AND THE INFORMATION CONTAINED IN IT ARE THE PROPRIETARY PROPERTY OF HITITE MICROWAVE CORPORATION. IT MAY NOT BE COPIED OR USED IN ANY MANNER NOR MAY ANY OF THE INFORMATION IN OR UPON IT BE USED FOR ANY PURPOSE WITHOUT THE EXPRESSED WRITTEN CONSENT OF AN AUTHORIZED AGENT OF HITITE MICROWAVE CORPORATION.

HITITE MICROWAVE CORPORATION
20 Alpha Rd Chelmsford, MA 01824

TITLE
SCH, CUSTOMER EVAL HMC702LP6CE

PROJECT	123293	SHEET	1	OF	2
DRAWING #:		CODE ID NO.	1CN88	SIZE	D
DRAWN BY	DY	DATE	08/09/07	REV	C

11-6-2009_14:09

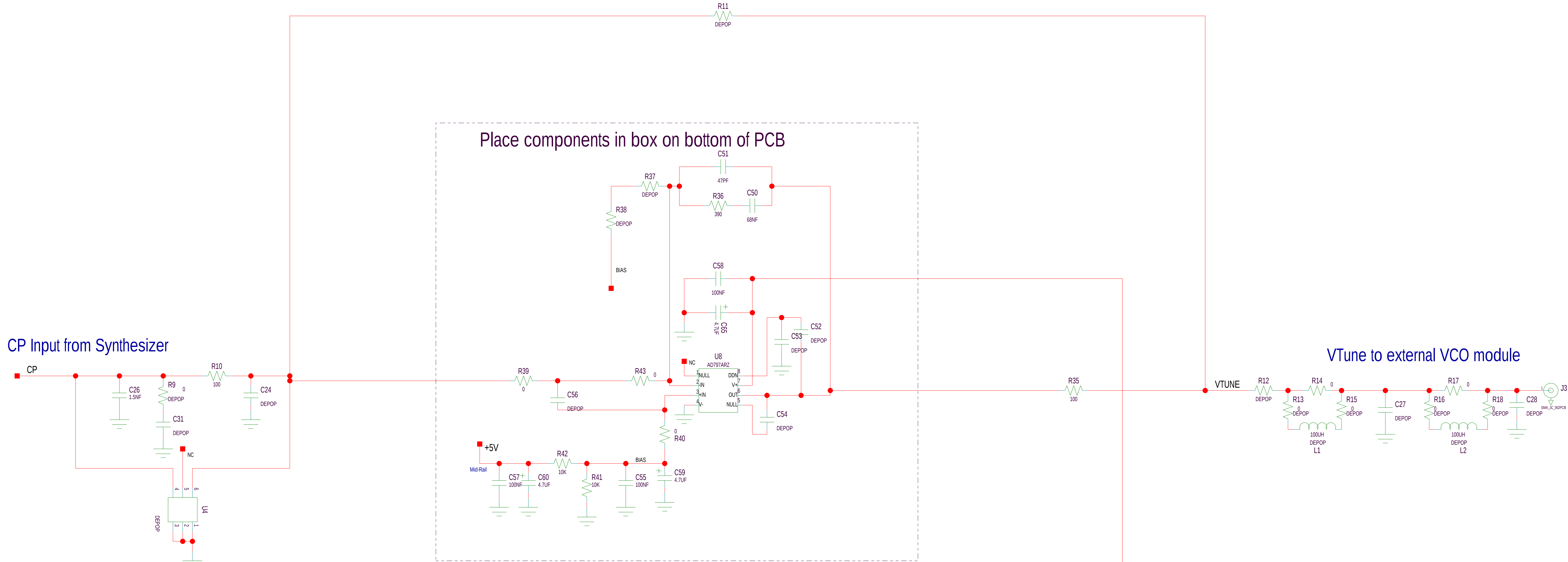
8 7 6 5 4 3 2 1

Active Op-Amp Loop Filter

CP Input from Synthesizer

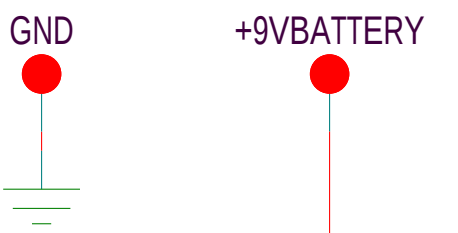
VTune to external VCO module

Place components in box on bottom of PCB

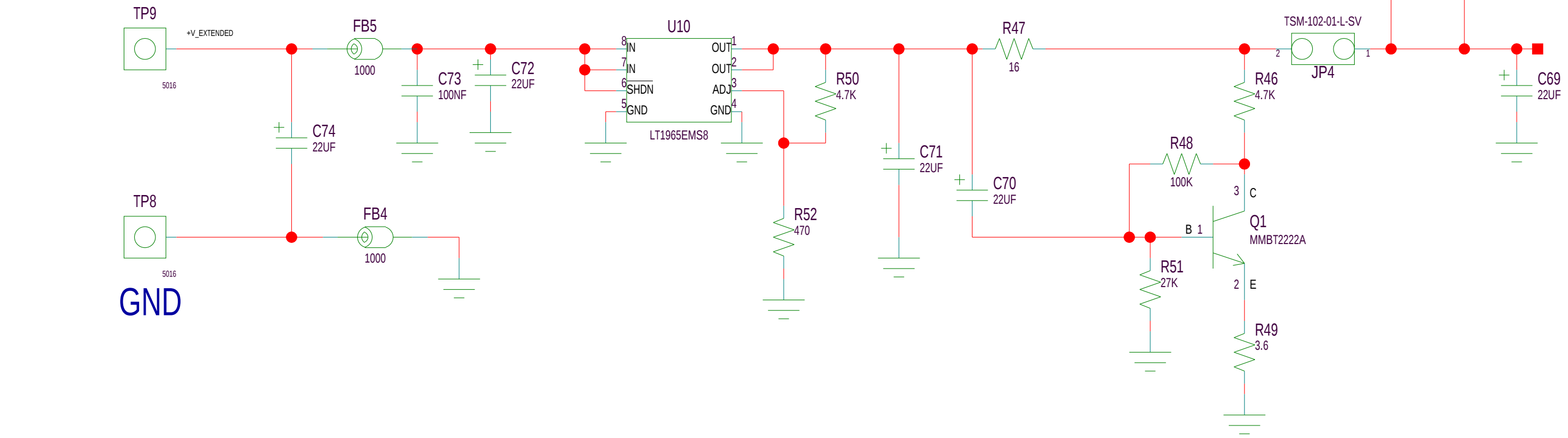


+9VBattery & GND (for battery connection) should be plated through vias with hole diameter 0.025", approx.

Battery Clip



+15V to +18V



HITTITE MICROWAVE CORPORATION 20 Alpha Rd Chelmsford, MA 01824	
TITLE CUSTOMER EVAL HMC702LP6CE	
PROJECT DRAWING #: 123293	SHEET 2 OF 2 CODE ID NO. 1CN88 DATE 08/09/07
DRAWN BY DY	SIZE D REV C 11-6-2009_14:09

8 7 6 5 4 3 2 1