

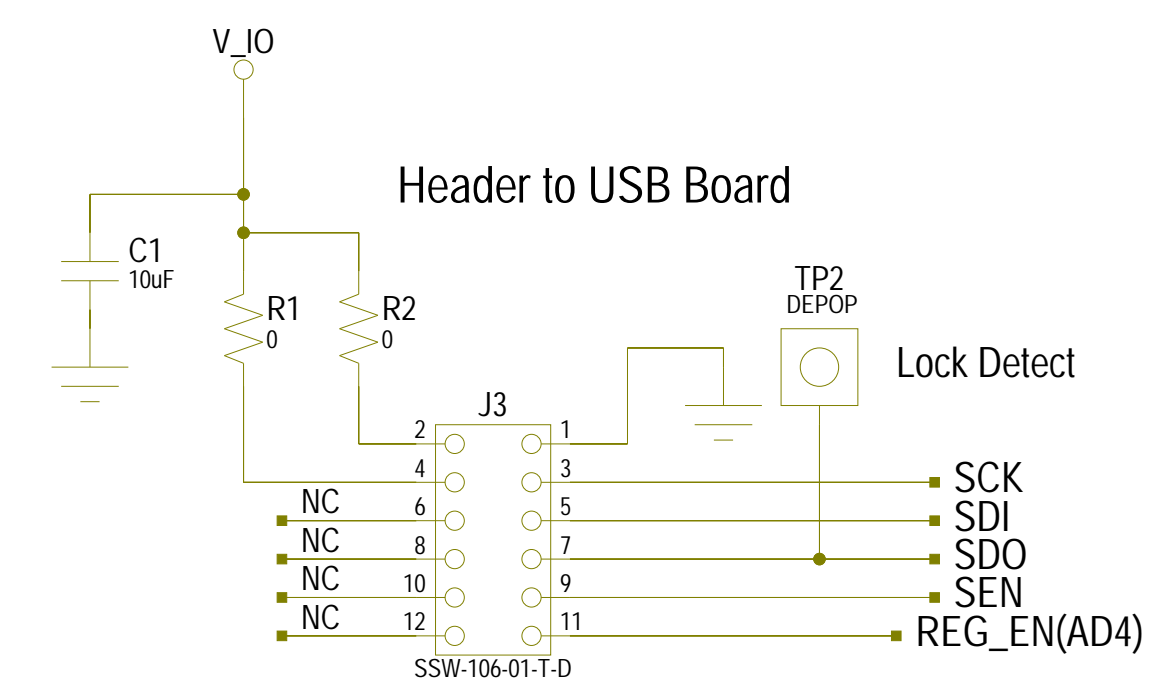
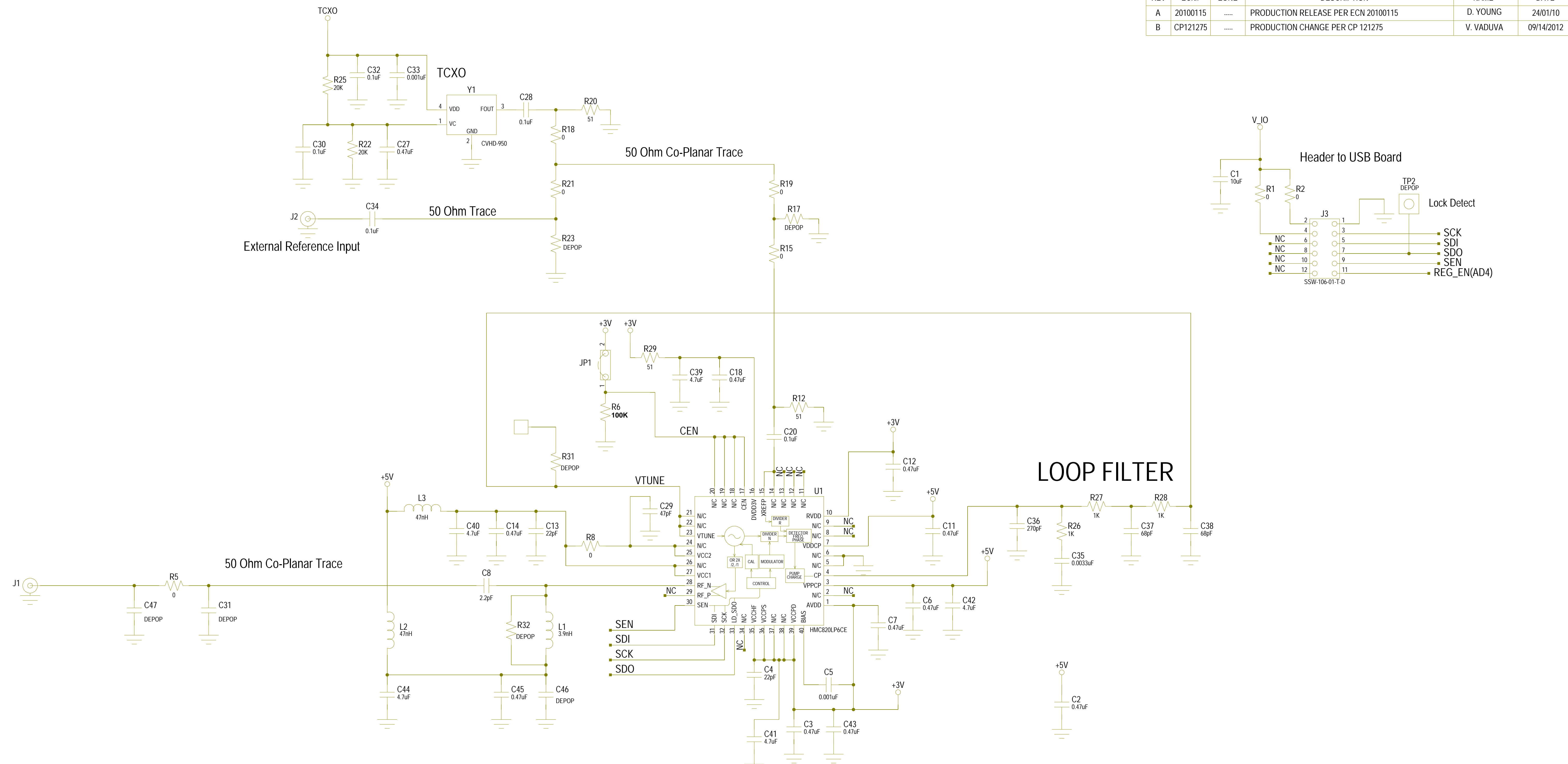
Analog Devices Welcomes Hittite Microwave Corporation

NO CONTENT ON THE ATTACHED DOCUMENT HAS CHANGED

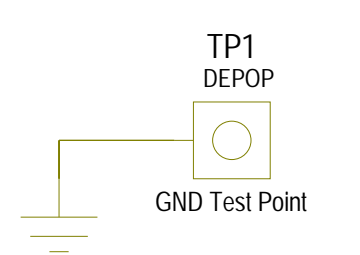


THIS PAGE INTENTIONALLY LEFT BLANK

REVISIONS					
REV	ECN#	ZONE	DESCRIPTION	NAME	DATE
A	20100115	PRODUCTION RELEASE PER ECN 20100115	D. YOUNG	24/01/10
B	CP121275	PRODUCTION CHANGE PER CP 121275	V. VADUVA	09/14/2012

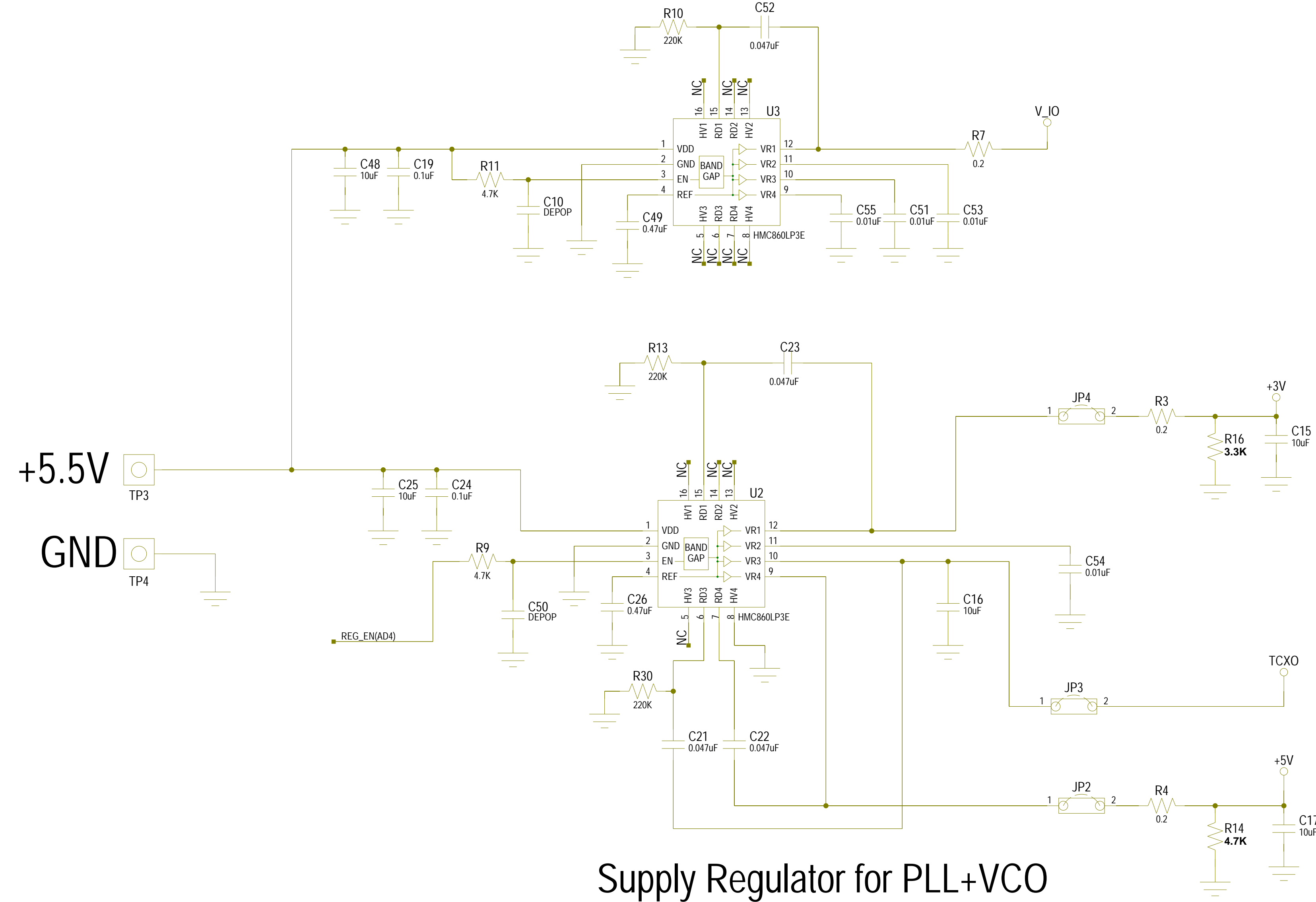


HMC820LP6CE Fo & Fo/2 Integrated PLL & VCO Eval




HITTITE MICROWAVE CORPORATION 20 Alpha Rd Chelmsford, MA 01824					
TITLE					
SCH, CUSTOMER EVALALUATION PLL & VCO FO & FO/2					
PROJECT					
DRAWING #:		129266		SHEET	1 OF 2
DRAWN BY:		D.YOUNG		CODE ID NO.	1CN88
DATE:		10/01/2010		SIZE	D
				REV	B

NOTICE OF PROPRIETARY PROPERTY: THIS DOCUMENT AND THE INFORMATION CONTAINED IN IT ARE THE PROPRIETARY PROPERTY OF HITTITE MICROWAVE CORPORATION. IT MAY NOT BE COPIED OR USED IN ANY MANNER NOR MAY ANY OF THE INFORMATION OR UPON IT BE USED FOR ANY PURPOSE, WITHOUT THE EXPRESSED WRITTEN CONSENT OF AN AUTHORIZED AGENT OF HITTITE MICROWAVE CORPORATION.

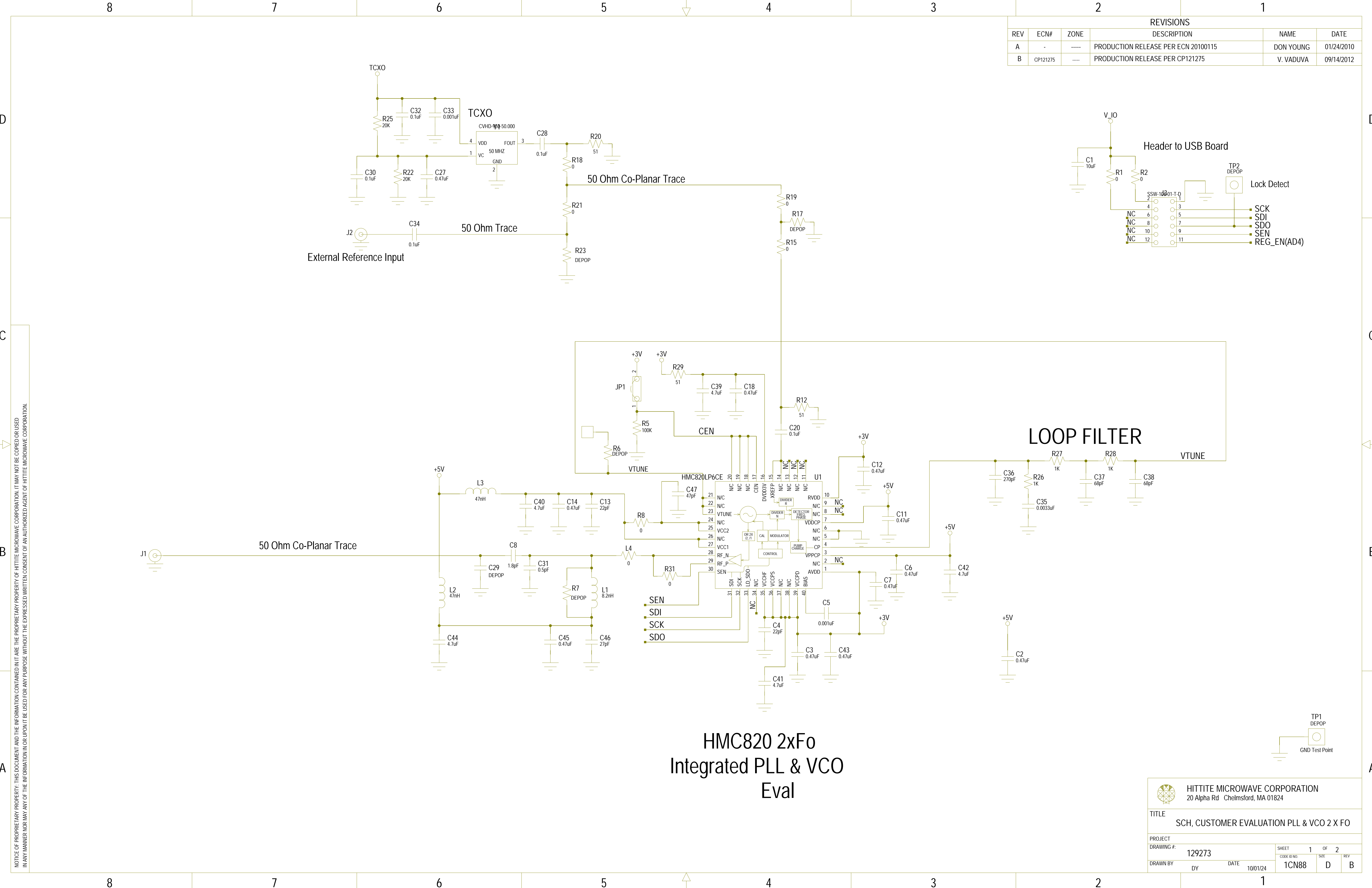


Supply Regulator for PLL+VCO

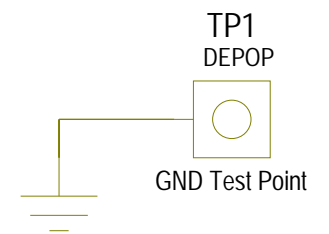
A recommended design practice is to connect the regulator Enable Pin #3 through a 4.7kOhm resistor to the system microcontroller/FPGA for power management control
 Small series resistors required in VR1 and VR4 output paths, as shown

 HITTITE MICROWAVE CORPORATION 20 Alpha Rd Chelmsford, MA 01824	
TITLE SCH, CUSTOMER EVALUATION PLL & VCO FO & FO/2	
PROJECT DRAWING #: 129266	
SHEET 2 OF 2 CODE ID NO. 1CN88 SIZE D REV B	
DRAWN BY D.YOUNG	DATE 10/01/2010

REVISIONS					
REV	ECN#	ZONE	DESCRIPTION	NAME	DATE
A	-	PRODUCTION RELEASE PER ECN 20100115	DON YOUNG	01/24/2010
B	CP121275	PRODUCTION RELEASE PER CP121275	V. VADUVA	09/14/2012

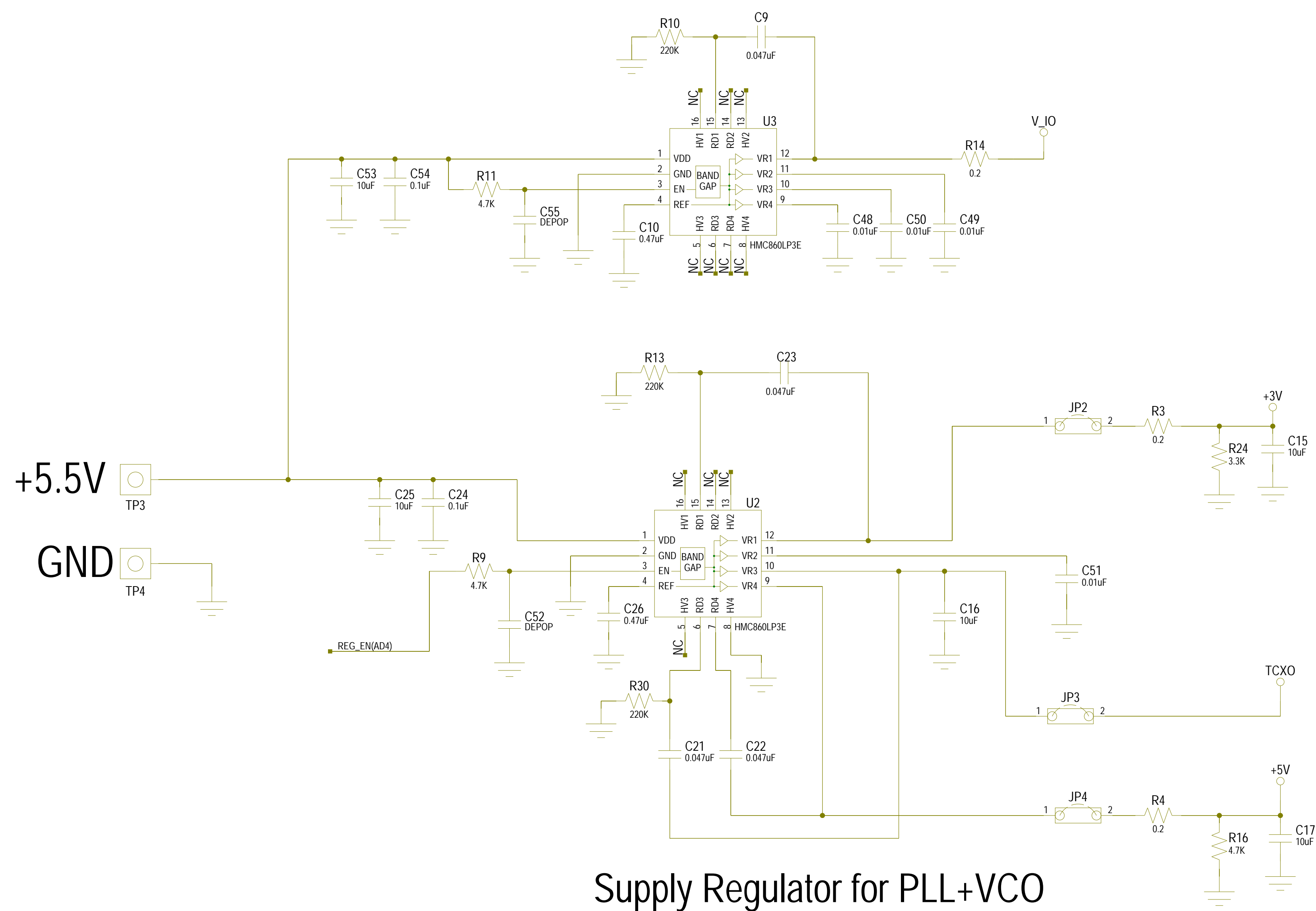


HMC820 2xFO Integrated PLL & VCO Eval




HITTITE MICROWAVE CORPORATION 20 Alpha Rd Chelmsford, MA 01824				
TITLE				
SCH, CUSTOMER EVALUATION PLL & VCO 2 X FO				
PROJECT				
DRAWING #: 129273				
DRAWN BY: DY		DATE: 10/01/24		SHEET: 1 OF 2
CODE ID NO: 1CN88	SIZE: D	REV: B		

NOTICE OF PROPRIETARY PROPERTY: THIS DOCUMENT AND THE INFORMATION CONTAINED IN IT ARE THE PROPRIETARY PROPERTY OF HITTITE MICROWAVE CORPORATION. IT MAY NOT BE COPIED OR USED IN ANY MANNER NOR MAY ANY OF THE INFORMATION IN OR UPON IT BE USED FOR ANY PURPOSE, WITHOUT THE EXPRESSED WRITTEN CONSENT OF AN AUTHORIZED AGENT OF HITTITE MICROWAVE CORPORATION.



Supply Regulator for PLL+VCO

A recommended design practice is to connect the regulator Enable Pin #3 through a 4.7kOhm resistor to the system microcontroller/FPGA for power management control
 Small series resistors required in VR1 and VR4 output paths, as shown

 HITTITE MICROWAVE CORPORATION 20 Alpha Rd Chelmsford, MA 01824	
TITLE SCH, CUSTOMER EVALUATION PLL & VCO 2 X FO 129273	
PROJECT	
DRAWING #: 129273	SHEET 2 OF 2
DRAWN BY: D.YOUNG	DATE: 10/01/24
CODE ID NO: 1CN88	SIZE: D
REV: B	