

Analog Devices Welcomes Hittite Microwave Corporation

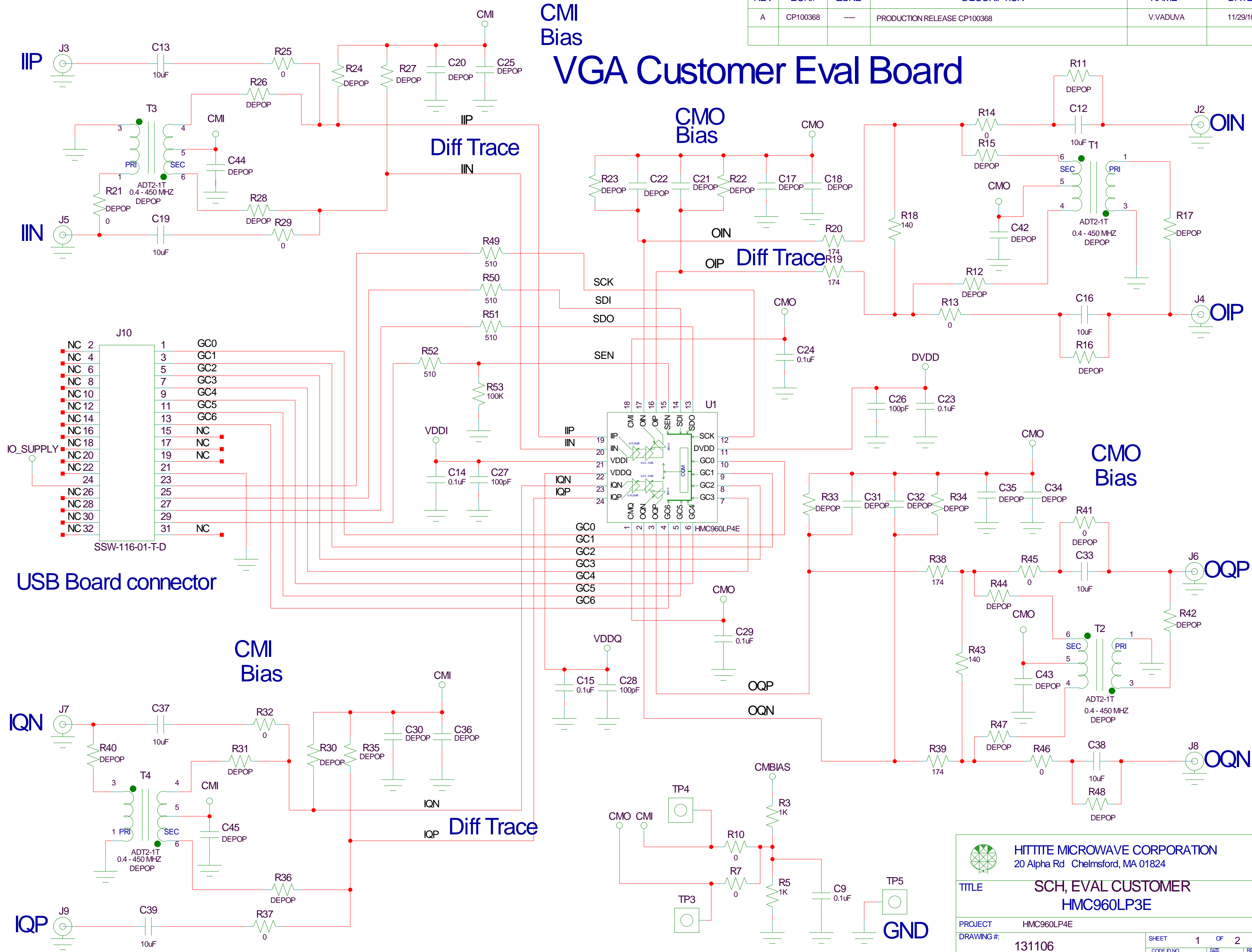
NO CONTENT ON THE ATTACHED DOCUMENT HAS CHANGED



THIS PAGE INTENTIONALLY LEFT BLANK

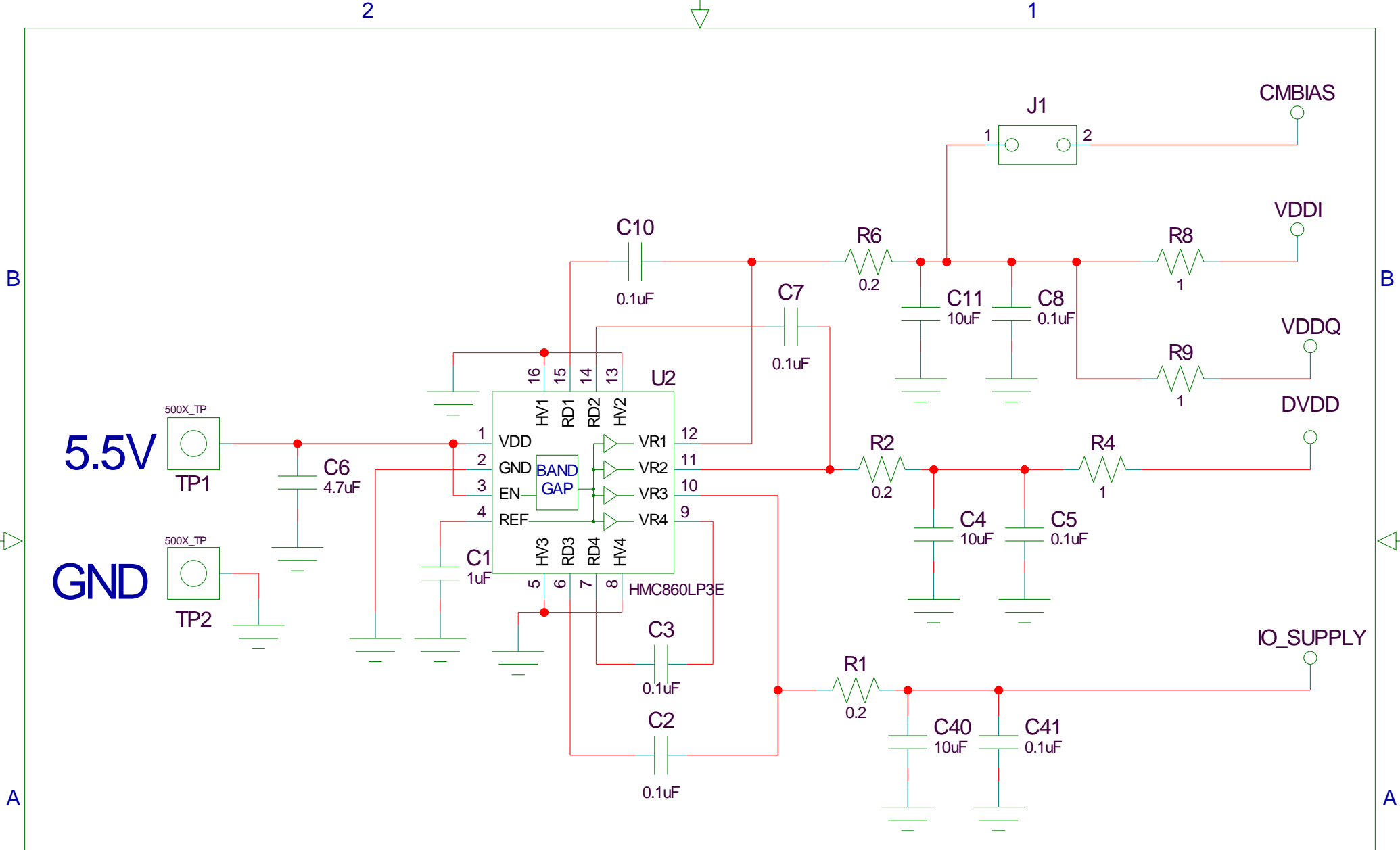
REVISIONS					
REV	ECN#	ZONE	DESCRIPTION	NAME	DATE
A	CP100368	---	PRODUCTION RELEASE CP100368	V.VADUVA	11/29/10


CMI Bias VGA Customer Eval Board



NOTICE OF PROPRIETARY PROPERTY: THIS DOCUMENT AND THE INFORMATION CONTAINED IN IT ARE THE PROPRIETARY PROPERTY OF HITITE MICROWAVE CORPORATION. IT MAY NOT BE COPIED OR USED IN ANY MANNER NOR MAY ANY OF THE INFORMATION IN OR UPON IT BE USED FOR ANY PURPOSE WITHOUT THE EXPRESSED WRITTEN CONSENT OF AN AUTHORIZED AGENT OF HITITE MICROWAVE CORPORATION.

HITITE MICROWAVE CORPORATION 20 Alpha Rd Chelmsford, MA 01824				
TITLE SCH, EVAL CUSTOMER HMC960LP3E				
PROJECT HMC960LP4E				
DRAWING #: 131106			SHEET 1 OF 2	
DRAWN BY D.YOUNG			DATE 11/29/2010	
CODE ID NO. 1CN88			SIZE C	
REV A			REV A	



 HITTITE MICROWAVE CORPORATION 20 Alpha Rd Chelmsford, MA 01824				
TITLE SCH, EVAL CUSTOMER HMC960LP3E				
PROJECT HMC960LP4E				
DRAWING #: 131106			SHEET 2 OF 2	
DRAWN BY D. YOUNG			DATE 11/29/2010	
CODE ID NO. 1CN88			SIZE A	REV A