

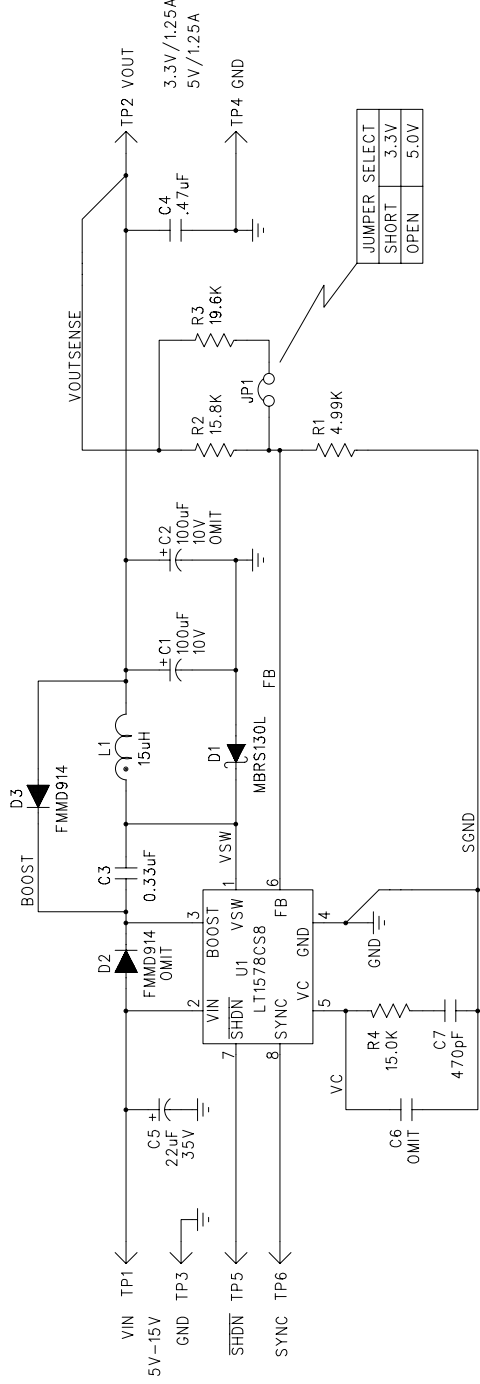
REVISION RECORD		DATE
ECO NUMBER	DESCRIPTION	
	ORIGINAL RELEASE	03-16-2000

D

C

B

A



JUMPER SELECT	
SHORT	3.3V
OPEN	5.0V

NOTES: unless otherwise specified...

- ALL RESISTOR VALUES IN OHMS, 5%, 1/16W  
THREE SIGNIFICANT DIGIT VALUES ARE 1%.  
ALL CERAMIC CAPACITORS X7R, 16V.
- VALUES 1000pF OR LESS ARE NPO, 25V-50V.  
POLARIZED INPUT CAPACITORS ARE KEMET T495X-SERIES.  
POLARIZED OUTPUT CAPACITORS ARE AVX TPSD-SERIES.
- CONNECT MBR5130L ANODE TO GROUND AT INPUT CAPACITOR.  
PARTS DESIGNATED AS "OMIT" ARE OPTIONAL.

APPROVALS	DATE	LINEAR TECHNOLOGY CORPORATION	1630 MCCARTHY BLVD. MILPITAS, CA 95035 (408) 432-1900
		LT1578CS8: 3.3V/1.25A OR 5V/1.25A OUTPUT 5-15V INPUT, 200KHz, BUCK REGULATOR	
		SIZE	DOCUMENT NUMBER
		B	DC303A
		REV	A
		SHEET 1 OF 1	

