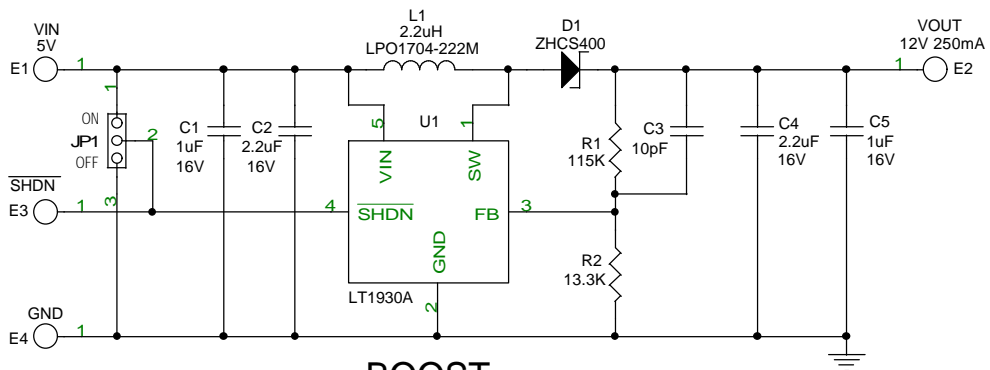
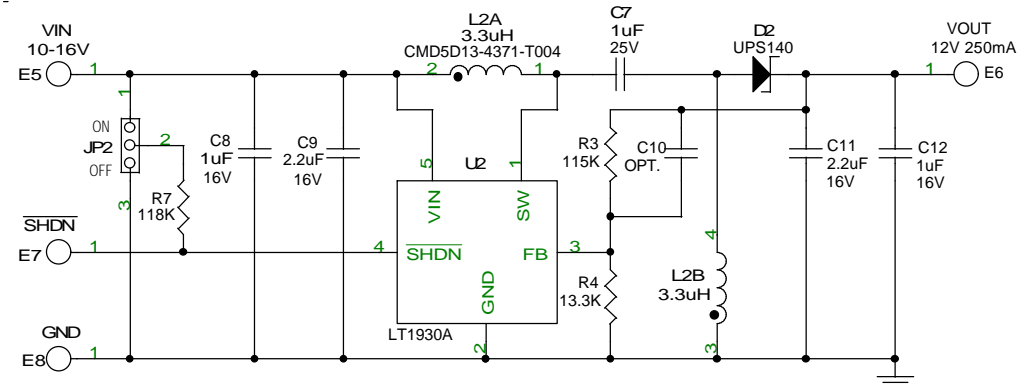


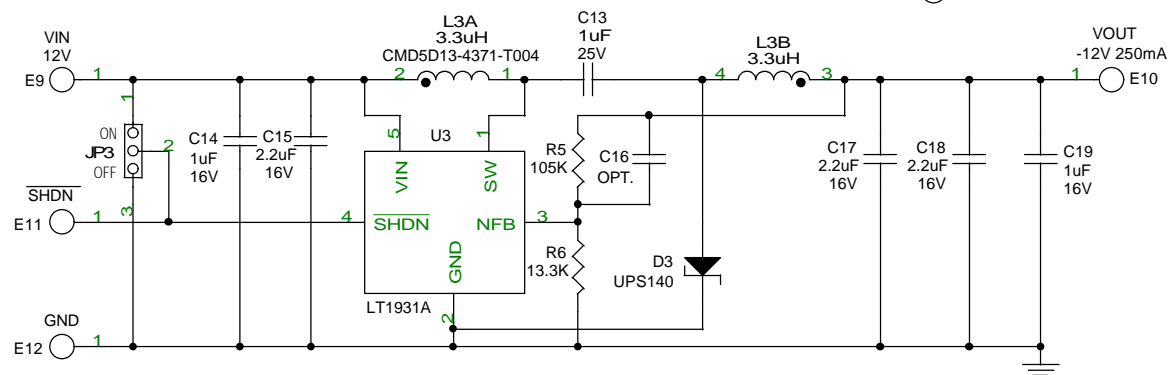
REVISION HISTORY				
ECO	REV	DESCRIPTION	DATE	APPROVED
	1	INITIATED	02/13/01	
	2	MFR SPECS CONFIG DIAGRAM ERROR : CORRECT INDUCTOR PIN-OUT	3/26/01	
	3	ADD R7; CHG L1, L2, L3.	6/6/01	
	4	CORR L2, L3 MFR#: WAS 92Y-153/5. RMV C5; CHG C4, D2, 3; C6 TO C5	01/17/02	
	5	DEMO BOARD RELEASE	01/30/02	



BOOST

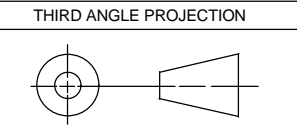


SEPIC



INVERTER

UNLESS OTHERWISE SPECIFIED DIMENSIONS ARE IN INCHES TOLERANCE ON ANGLE --- 2 PLACES --- 3 PLACES --- INTERPRET DIM AND TOL PER ASME Y14.5M -1994



DO NOT SCALE DRAWING

CONTRACT NO.	
APPROVALS	DATE
DRAWN L.SANTOS	02/07/01
CHECKED	
APPROVED	
ENGINEER	
DESIGNER	
Wednesday, January 30, 2002	



1630 McCarthy Blvd.
Milpitas, CA 95035
Phone: (408)432-1900
Fax: (408)434-0507

TITLE			
SCHEMATIC, LT1930A/31A, 2.2MHz, SOT-23 DC/DC CONVERTER PCB			
SIZE	CAGE CODE	DWG NO	REV
A		DC397A	5
SCALE: NONE	FILENAME: 397A_r5.DSN	SHEET 1	OF 1