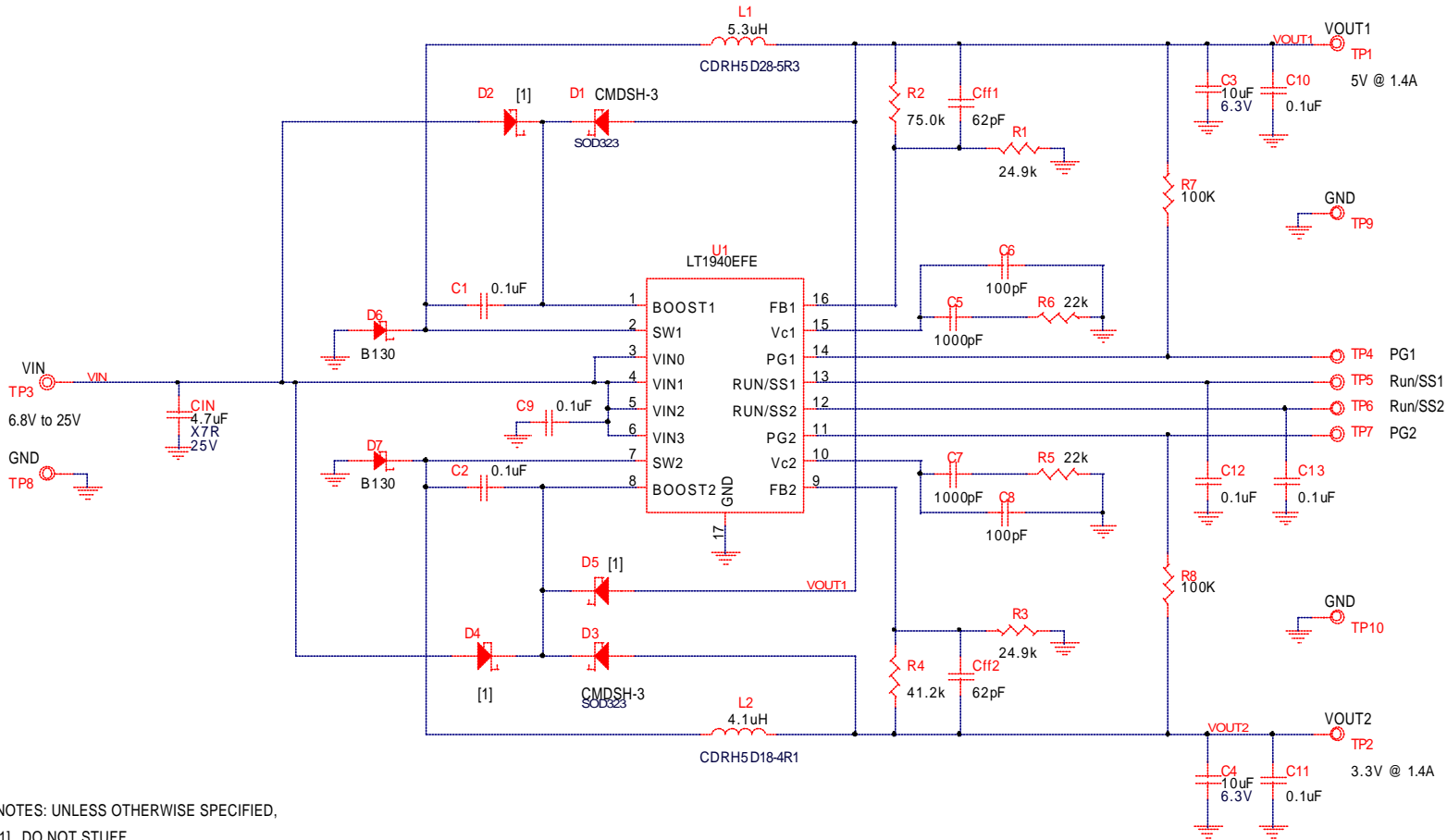

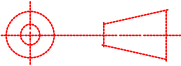


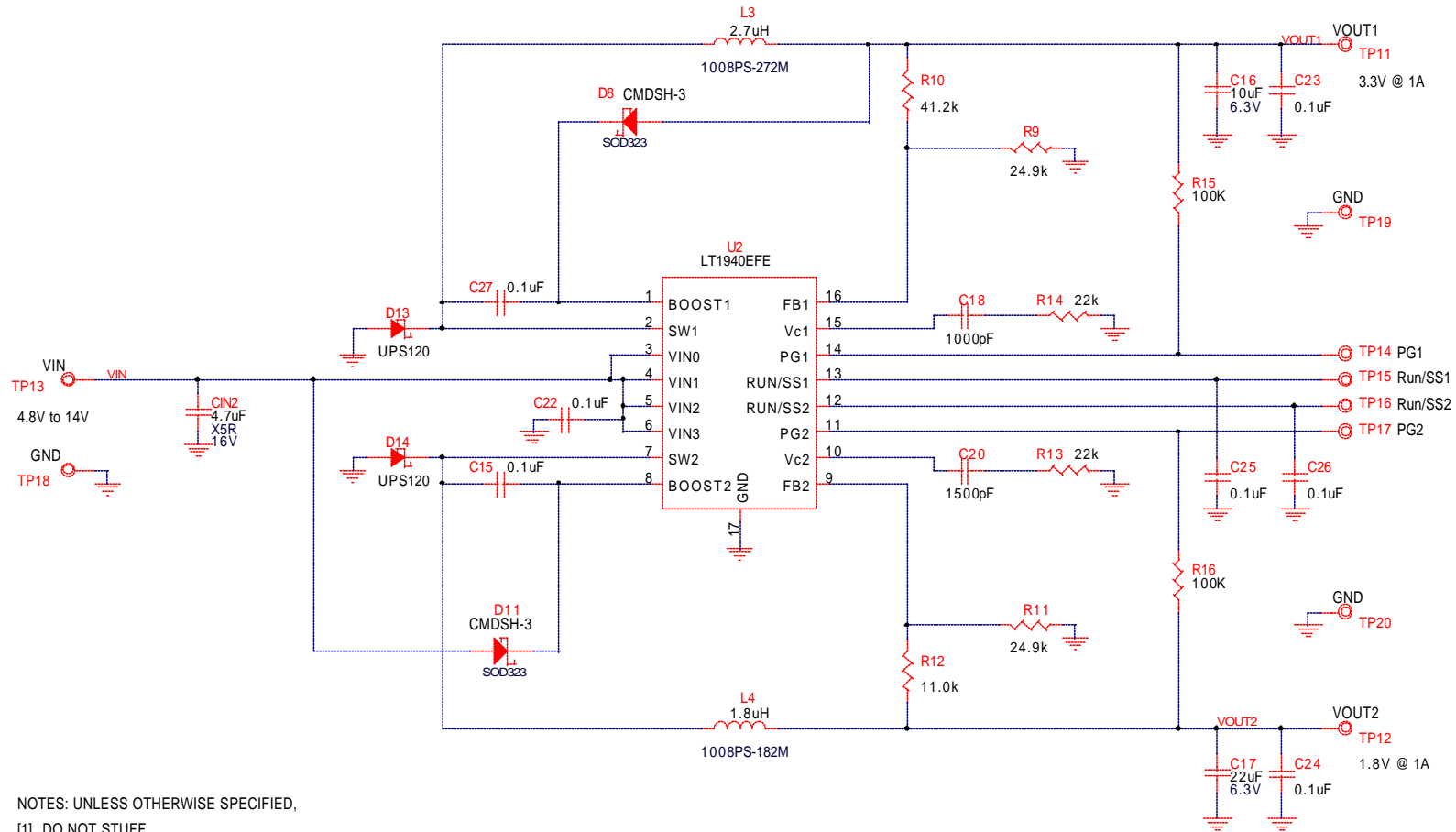
REVISION HISTORY				
ECO	REV	DESCRIPTION	DATE	APPROVED
>	3	RELEASE	10/31/02	



NOTES: UNLESS OTHERWISE SPECIFIED,
[1] DO NOT STUFF.

UNLESS OTHERWISE SPECIFIED DIMENSIONS ARE IN INCHES TOLERANCE ON ANGLE --- 2 PLACES --- 3 PLACES --- INTERPRET DIM AND TOL PER ASME Y14.5M-1994	CONTRACT NO.		 1630 McCarty Blvd Milpitas, CA 95035 Phone: (408)4321900 Fax: (408)4340307
	APPROVALS	DATE	
THIRD ANGLE PROJECTION	DRAWN MEI	05-24-02	TITLE
	APPROVED		SCH, LT1940EFE 1.1MHz DUAL STEP-DOWN DC/DC CONVERTER
	ENGINEER		SIZE
	DESIGNER		Custom
			CAGE CODE
			DWG NO
			DC519A
			REV
			3
DO NOT SCALE DRAWING	Thursday, October 31, 2002	SCALE: NONE	FILENAME: 519A-3.DSN
			SHEET 1 OF 2

REVISION HISTORY				
ECO	REV	DESCRIPTION	DATE	APPROVED
>	3	RELEASE	10/31/02	



NOTES: UNLESS OTHERWISE SPECIFIED,
[1] DO NOT STUFF.

UNLESS OTHERWISE SPECIFIED DIMENSIONS ARE IN INCHES TOLERANCE ON ANGLE --- 2 PLACES --- 3 PLACES --- INTERPRET DIM AND TOL PER ASME Y14.5M-1994	CONTRACT NO.		1630 McCarty Blvd Milpitas, CA 95035 Phone: (408) 438-1900 Fax: (408) 438-0307			
	APPROVALS	DATE				
	THIRD ANGLE PROJECTION	DRAWN: MEI	05-24-02	TITLE: SCH, LT1940EFE 1.1MHz DUAL STEP-DOWN DC/DC CONVERTER		
		CHECKED				
	APPROVED ENGINEER					
	DESIGNER		SIZE: Custom	CAGE CODE	DWG NO: DC519A	REV: 3
DO NOT SCALE DRAWING	Thursday, October 31, 2002		SCALE: NONE	FILENAME: 519A-3.DSN	SHEET: 2 OF 2	