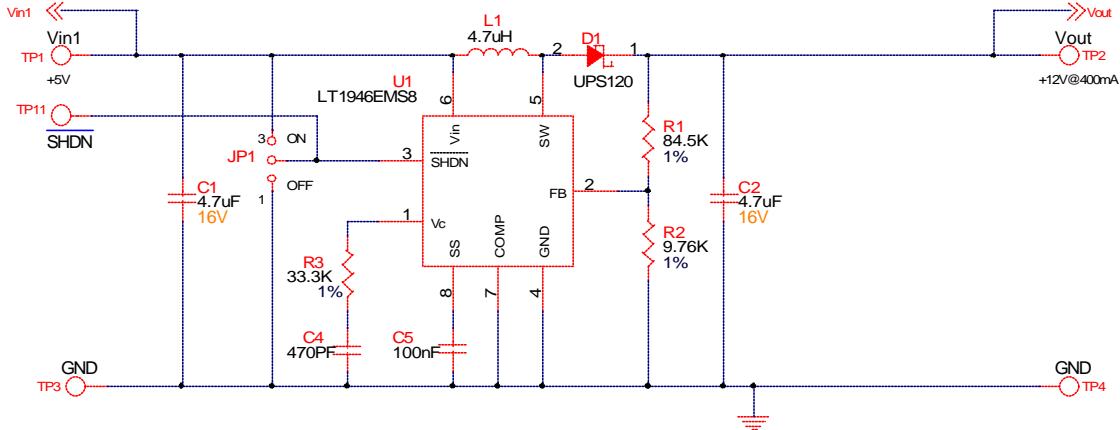
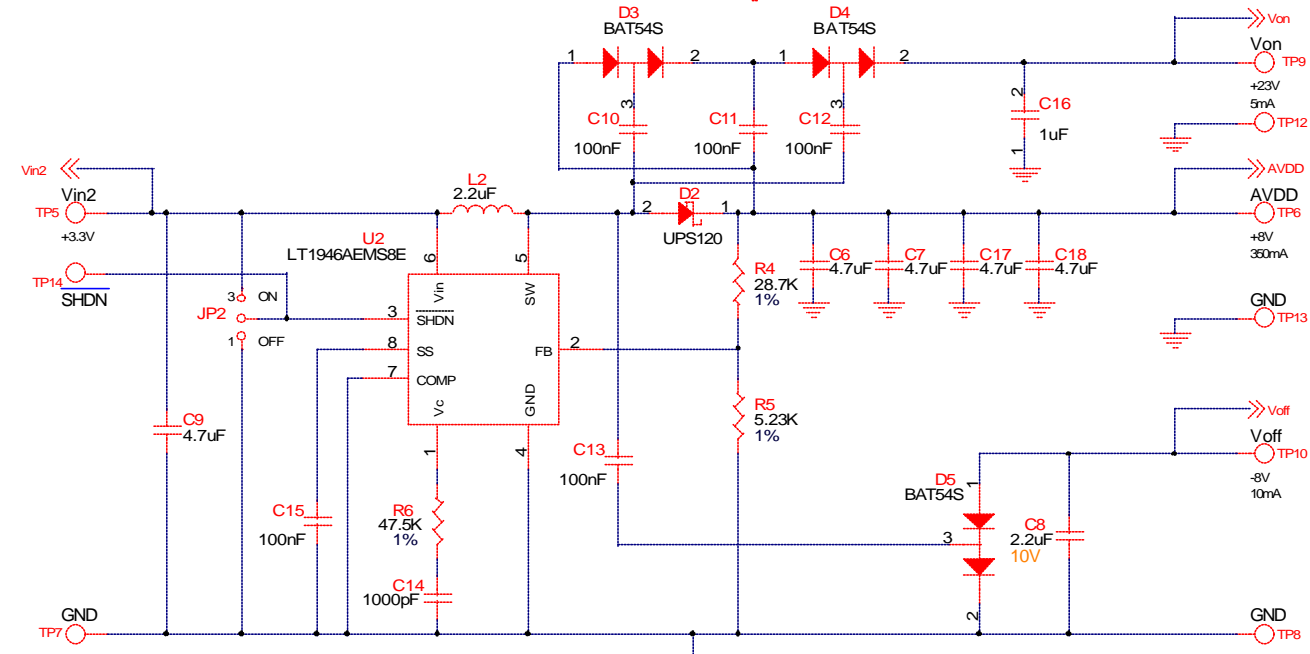
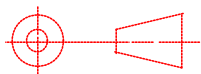



LTC CONFIDENTIAL - For Customer Use Only



REVISION HISTORY				
ECO	REV	DESCRIPTION	DATE	APPROVED
0	2	PROTO	09-13-01	<APPROVED>



<p>UNLESS OTHERWISE SPECIFIED DIMENSIONS ARE IN INCHES TOLERANCE ON ANGLE --- 2 PLACES --- 3 PLACES --- INTERPRET DIM AND TOL PER ASME Y14.5M-1994</p>  <p>DO NOT SCALE DRAWING</p>	<p>CONTRACT NO.</p>	 <p>1630 McCarthy Bld Milpitas, CA 95035 Phone: (408)432-1500 Fax: (408)434-0507</p>	
	<p>APPROVALS</p> <p>DRAWN (MEI)</p> <p>CHECKED</p> <p>APPROVED</p> <p>ENGINEER</p> <p>DESIGNER</p>		<p>DATE</p> <p>09-13-01</p>
	<p>THIRD ANGLE PROJECTION</p>	<p>TITLE</p> <p>SCH, LT1946EMS8/LT1946AEMS8E, 12V OUTPUT BOOST CONVERTER and TRIPLE OUTPUT TFT LCDBIAS SUPPLY</p>	<p>SIZE</p> <p>Custom</p>
	<p>Thursday, December 12, 2002</p>	<p>DWG NO</p> <p>DC459A</p>	<p>REV</p> <p>2</p>