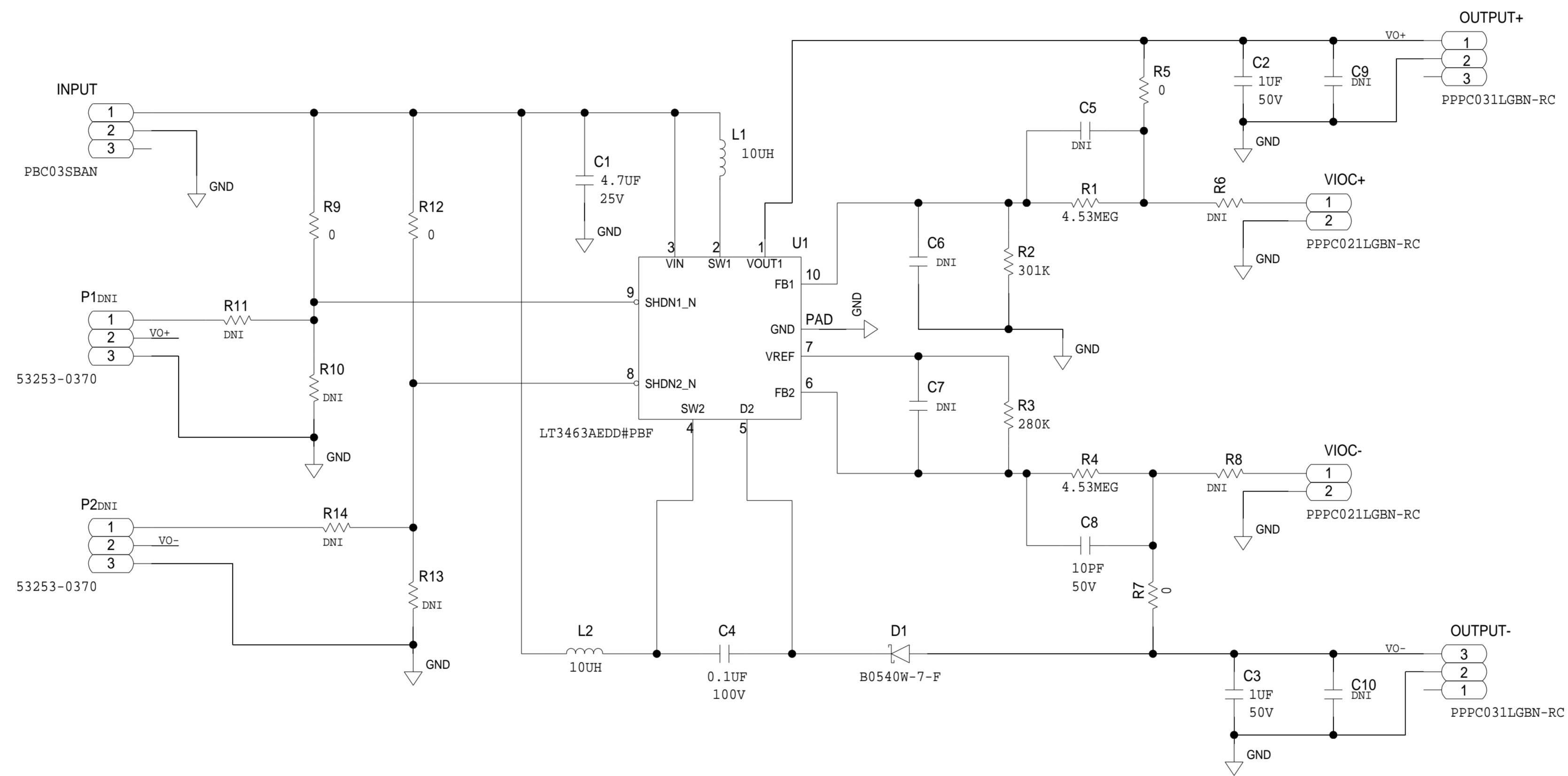


| REVISIONS | | | |
|-----------|-------------|------|----------|
| REV | DESCRIPTION | DATE | APPROVED |
| | | | |

LT3463



| | | | |
|--|---|--------------------------|--------------|
| | SCHEMATIC | | |
| | HW TYPE : Customer Evaluation Product(s) : LT3463 : n/a | | |
| | DESIGN VIEW <DESIGN_VIEW> | DRAWING NO. 02_060170 | REV A |
| | PTD ENGINEER A SERQUINA | SIZE D | SCALE 1:1 |
| | | SHEET 2 OF 2 | |