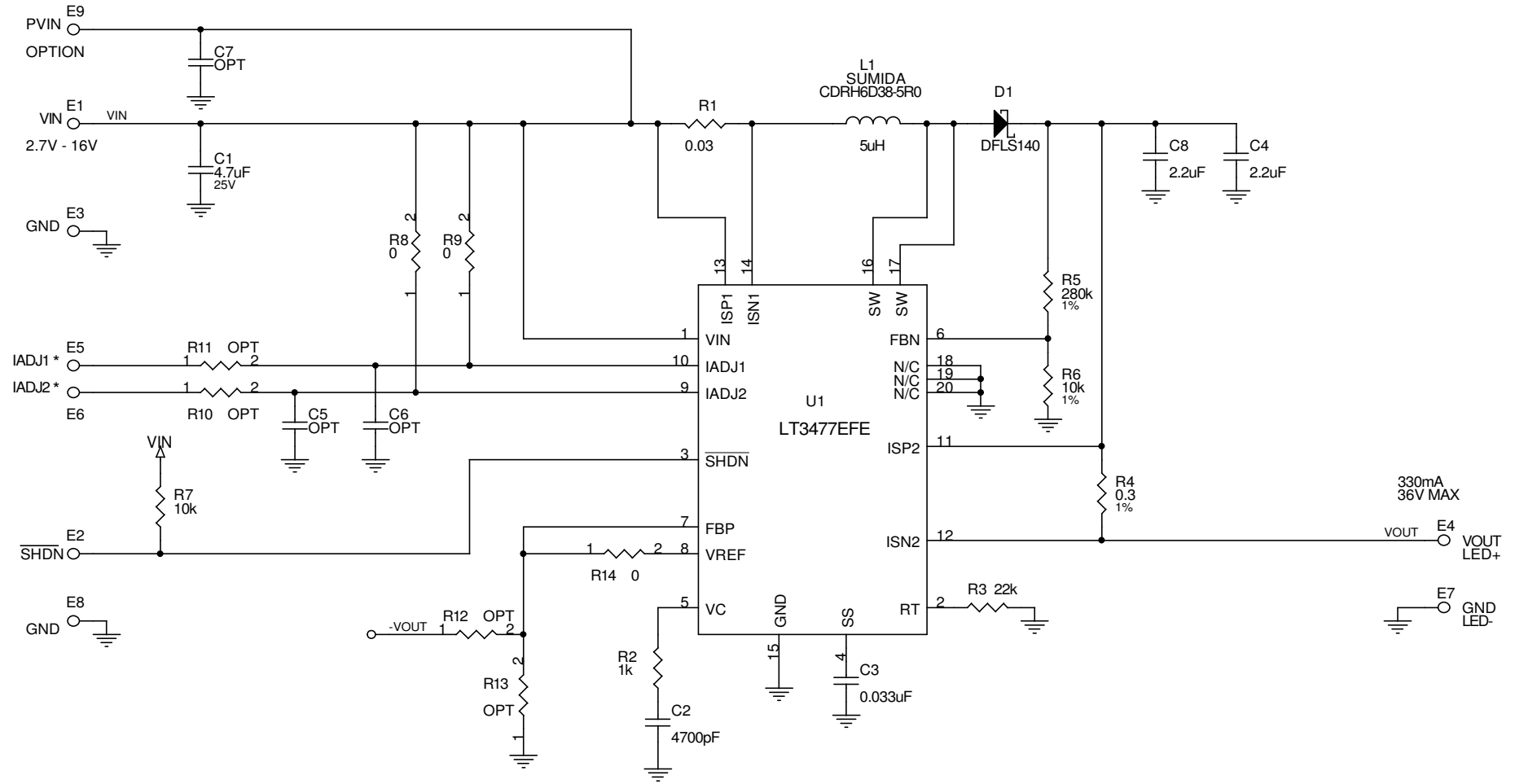



This circuit is proprietary to Linear Technology and supplied for use with Linear Technology parts.
Customer Notice: Linear Technology has made a best effort to design a circuit that meets customer-supplied specifications; however, it remains the customers responsibility to verify proper and reliable operation in the actual application. Component substitution and printed circuit board layout may significantly affect circuit performance or reliability. Contact Linear Applications Engineering for assistance.

REVISION HISTORY				
ECO	REV	DESCRIPTION	DATE	APPROVED
	3	PROD	11/11/04	



* MUST INSTALL R10, R11 AND REMOVE R8, R9 FOR IADJ FUNCTION.

CONTRACT NO.		 1630 McCarthy Blvd. Milpitas, CA 95035 Phone: (408)432-1900 Fax: (408)434-0507
APPROVALS	DATE	
DRAWN MEI	09/21/04	TITLE SCH, LT3477EFE, CONSTANT CURRENT BOOST CONVERTER WITH INPUT CURRENT AND OUTPUT VOLTAGE PROTECTION
CHECKED		
APPROVED		
ENGINEER		
DESIGNER		
Monday, April 11, 2005		SIZE CAGE CODE DWG NO DC841A REV 3
SCALE:	FILENAME: 841A-3.DSN	SHEET 1 OF 1