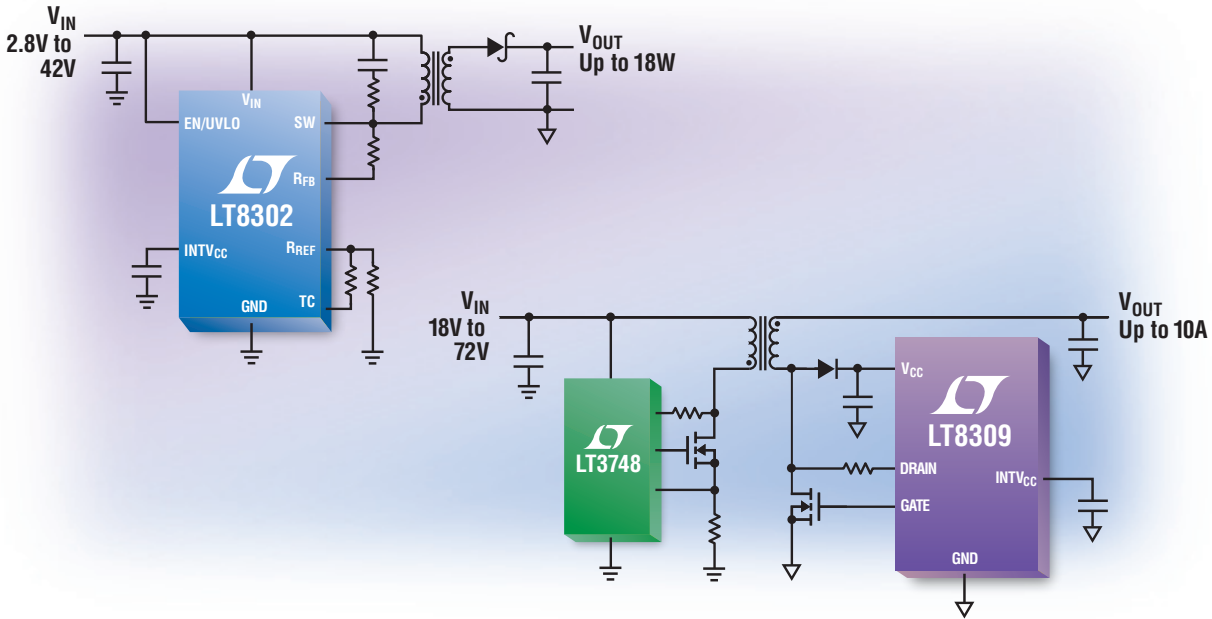


# Isolated Power Your Way



Get 5V/10A with 90% Efficiency. No Opto. 1W to 100W

Our flyback converter family simplifies the design of isolated power supplies by eliminating the need for an optocoupler and reference. The LT<sup>®</sup>8309 synchronous rectifier controller replaces the output diode with an N-channel MOSFET, allowing for up to 10A output current with no heat sink.

## ▼ No-Opto Flyback Converters

Part Number	Output Power	Input Range	Quiescent Current	Power Switch	Package
<b>LT8300</b>	up to 2.5W	6V to 100V	70μA	0.26A/150V	TSOT-23(5)
<b>LT3574</b>	up to 3W	3V to 40V	3.5mA	0.65A/60V	MSOP-16
<b>LT8301</b>	up to 6W	2.8V to 42V	100μA	1.2A/65V	TSOT-23(5)
<b>LT3573</b>	up to 6W	3V to 40V	3.5mA	1.25A/60V	MSOP-16E
<b>LT3575</b>	up to 12W	3V to 40V	4.5mA	2.5A/60V	TSSOP-16E
<b>LT8302</b>	up to 18W	2.8V to 42V	106μA	3.6A/65V	SO-8E
<b>LT3748</b>	up to 100W	5V to 100V	1.3mA	External	MSOP-16(12)

## ▼ Info & Free Samples

[www.linear.com/flyback](http://www.linear.com/flyback)

1-800-4-LINEAR



[video.linear.com/4486](http://video.linear.com/4486)

LT, LT, LTC, LTM, Linear Technology and the Linear logo are registered trademarks of Linear Technology Corporation. All other trademarks are the property of their respective owners.

