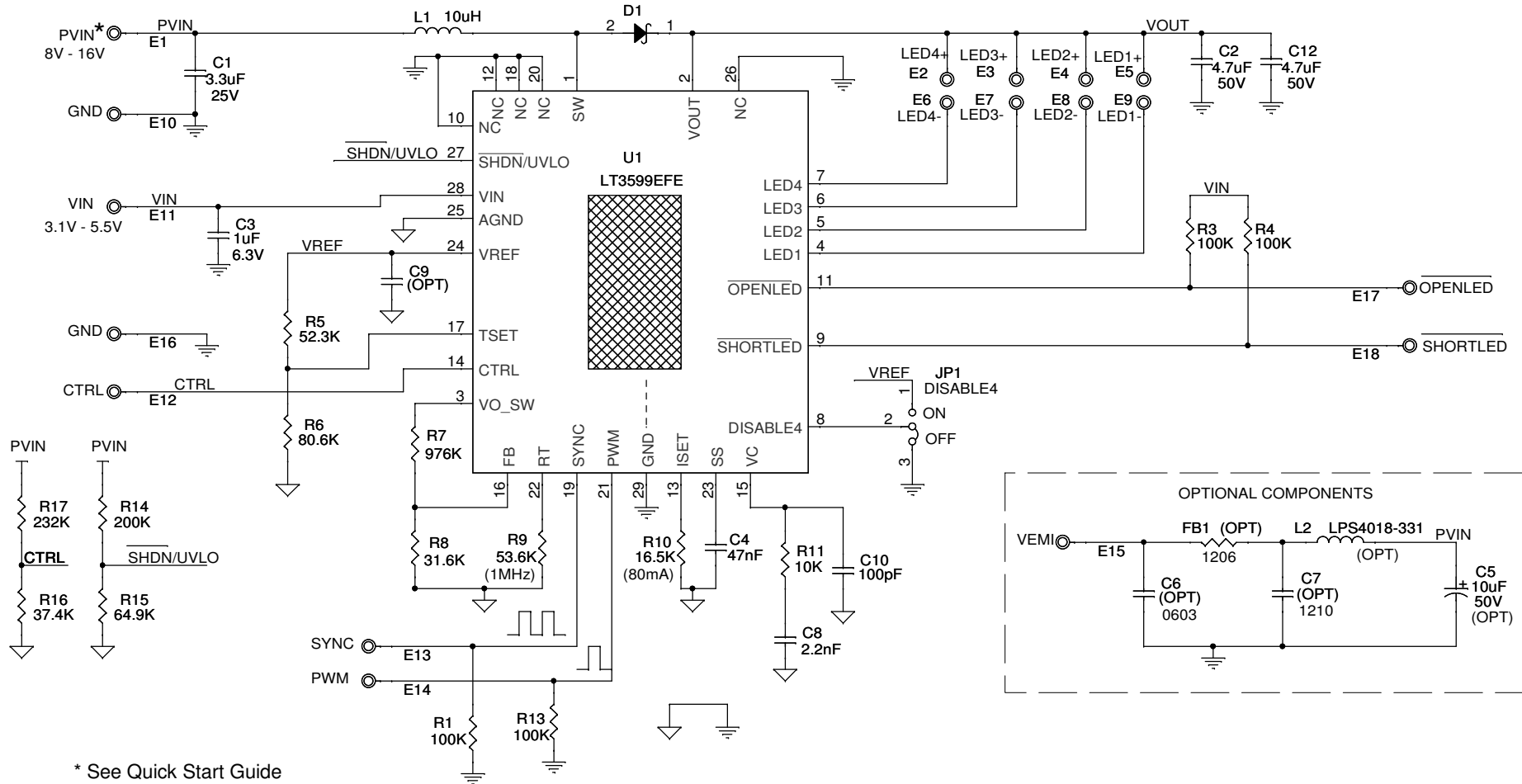


REVISION HISTORY				
ECO	REV	DESCRIPTION	APPROVED	DATE
1	1	REBUILD WITH CHANGES	WALKER B.	4-6-10



CUSTOMER NOTICE		CONTRACT NO.		1630 McCarthy Blvd. Milpitas, CA 95035 Phone: (408)432-1900 www.linear.com Fax: (408)434-0507 LTC Confidential-For Customer Use Only	
LINEAR TECHNOLOGY HAS MADE A BEST EFFORT TO DESIGN A CIRCUIT THAT MEETS CUSTOMER-SUPPLIED SPECIFICATIONS; HOWEVER, IT REMAINS THE CUSTOMER'S RESPONSIBILITY TO VERIFY PROPER AND RELIABLE OPERATION IN THE ACTUAL APPLICATION. COMPONENT SUBSTITUTION AND PRINTED CIRCUIT BOARD LAYOUT MAY SIGNIFICANTLY AFFECT CIRCUIT PERFORMANCE OR RELIABILITY. CONTACT LINEAR TECHNOLOGY APPLICATIONS ENGINEERING FOR ASSISTANCE.		APPROVALS			
		PCB DES. H.Z.			
		ENG. WALKER B.			
THIS CIRCUIT IS PROPRIETARY TO LINEAR TECHNOLOGY AND SUPPLIED FOR USE WITH LINEAR TECHNOLOGY PARTS.		TITLE: SCHEMATIC <b>4-CHANNEL 120mA LED DRIVER WITH +/-15% CURRENT MATCHING</b>			
		SIZE N/A IC NO. <b>LT3599EFE</b> REV <b>1</b>			
		DATE: Tuesday, April 13, 2010		SHEET 1 OF 1	