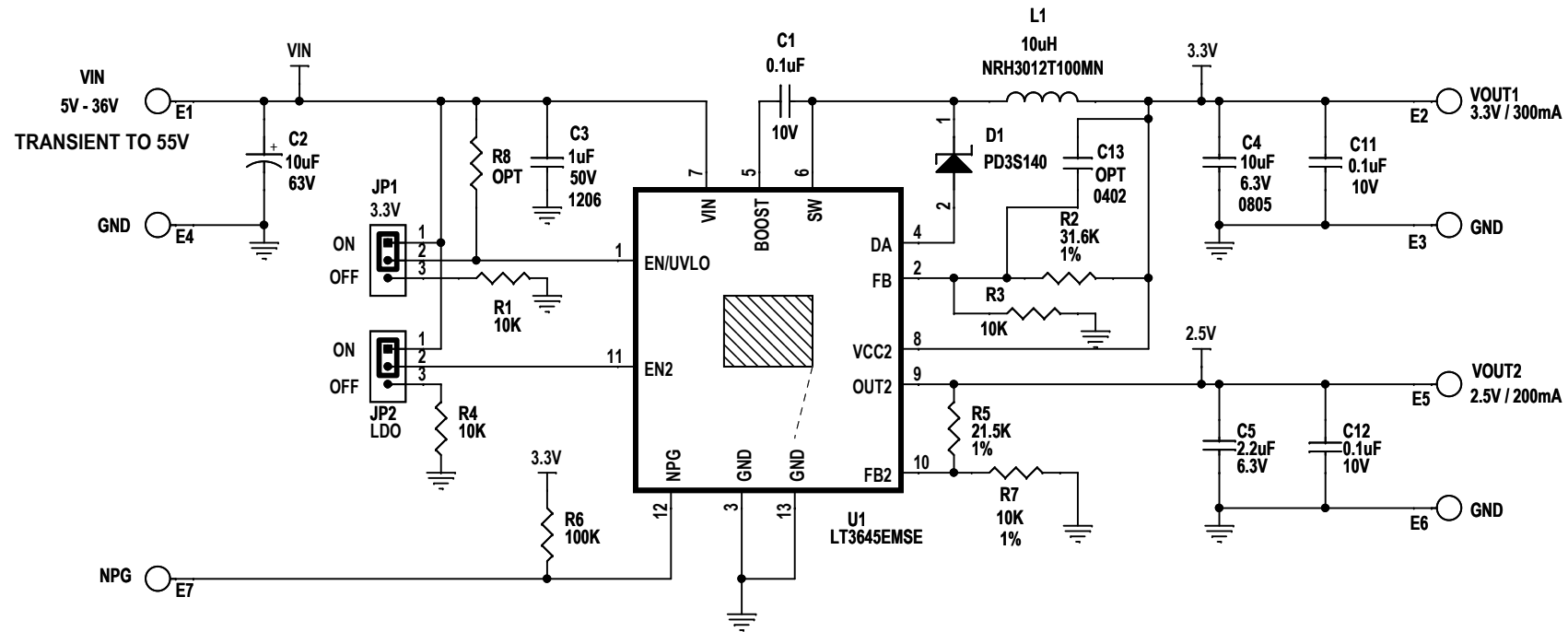


REVISION HISTORY				
ECO	REV	DESCRIPTION	APPROVED	DATE
—	2	PRODUCTION	JESUS R.	02-23-11



**NOTE: UNLESS OTHERWISE SPECIFIED**

1. ALL RESISTORS ARE 0402.  
ALL CAPACITORS ARE 0603.
2. INSTALL SHUNTS AS SHOWN.

<p align="center"><b>CUSTOMER NOTICE</b></p> <p>LINEAR TECHNOLOGY HAS MADE A BEST EFFORT TO DESIGN A CIRCUIT THAT MEETS CUSTOMER-SUPPLIED SPECIFICATIONS; HOWEVER, IT REMAINS THE CUSTOMER'S RESPONSIBILITY TO VERIFY PROPER AND RELIABLE OPERATION IN THE ACTUAL APPLICATION. COMPONENT SUBSTITUTION AND PRINTED CIRCUIT BOARD LAYOUT MAY SIGNIFICANTLY AFFECT CIRCUIT PERFORMANCE OR RELIABILITY. CONTACT LINEAR TECHNOLOGY APPLICATIONS ENGINEERING FOR ASSISTANCE.</p>	<p align="center"><b>APPROVALS</b></p>				<p>1630 McCarthy Blvd. Milpitas, CA 95035 Phone: (408)432-1900 <a href="http://www.linear.com">www.linear.com</a> Fax: (408)434-0507 LTC Confidential-For Customer Use Only</p>
	PCB DES.	JW	<p><b>TITLE: SCHEMATIC</b></p>		
	APP ENG.	JESUS R.	<p align="center"><b>STEP-DOWN REGULATOR WITH LDO</b></p>		
			<p>SIZE N/A</p>	<p>IC NO. <b>LT3645EMSE</b> <b>DEMO CIRCUIT 1428A</b></p>	<p>REV. <b>2</b></p>
<p>THIS CIRCUIT IS PROPRIETARY TO LINEAR TECHNOLOGY AND SUPPLIED FOR USE WITH LINEAR TECHNOLOGY PARTS.</p>		<p>SCALE = NONE</p>		<p>DATE: 02-23-11</p>	<p>SHEET 1 OF 1</p>