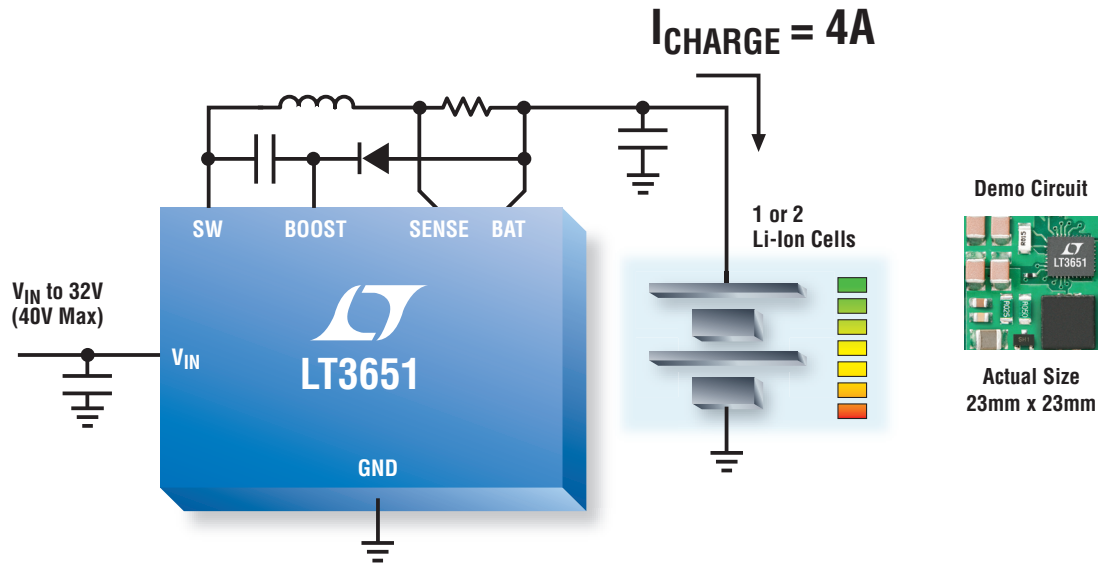


Charge BIG Batteries Fast



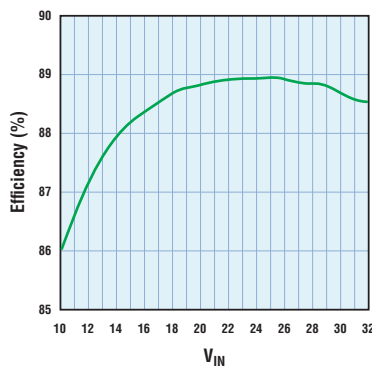
High Voltage, High Current, High Efficiency Charger

The LT[®]3651 enables fast charging of Li-Ion/Polymer batteries by delivering up to 4A of continuous charge current with minimal power loss. This is due to its high efficiency switchmode topology, including on-chip synchronous MOSFETs. Its autonomous operation means no microcontroller is necessary and the device integrates an onboard C/10 or timer charge termination. The LT3651's programmable input current limit with PowerPath™ control regulates charge current to maintain a constant supply current, preventing the input supply from collapsing.

Features

- Charge Current up to 4A
- Wide Input Voltage Range: 4.8V to 32V (40V Max)
- Programmable Switching Frequency: 200kHz to 1MHz
- C/10 or Timer Onboard Charge Termination
- High Efficiency Operation Minimizes Power Loss
- Programmable Input Current Limit
- Compact 5mm x 6mm QFN Package

Efficiency vs V_{IN}



Info & Free Samples

www.linear.com/3651

1-800-4-LINEAR



Free Battery
Charger Solutions
Brochure

www.linear.com/batsolutions

LT, LT, LTC, LTM, Linear Technology and the Linear logo are registered trademarks and PowerPath is a trademark of Linear Technology Corporation. All other trademarks are the property of their respective owners.

