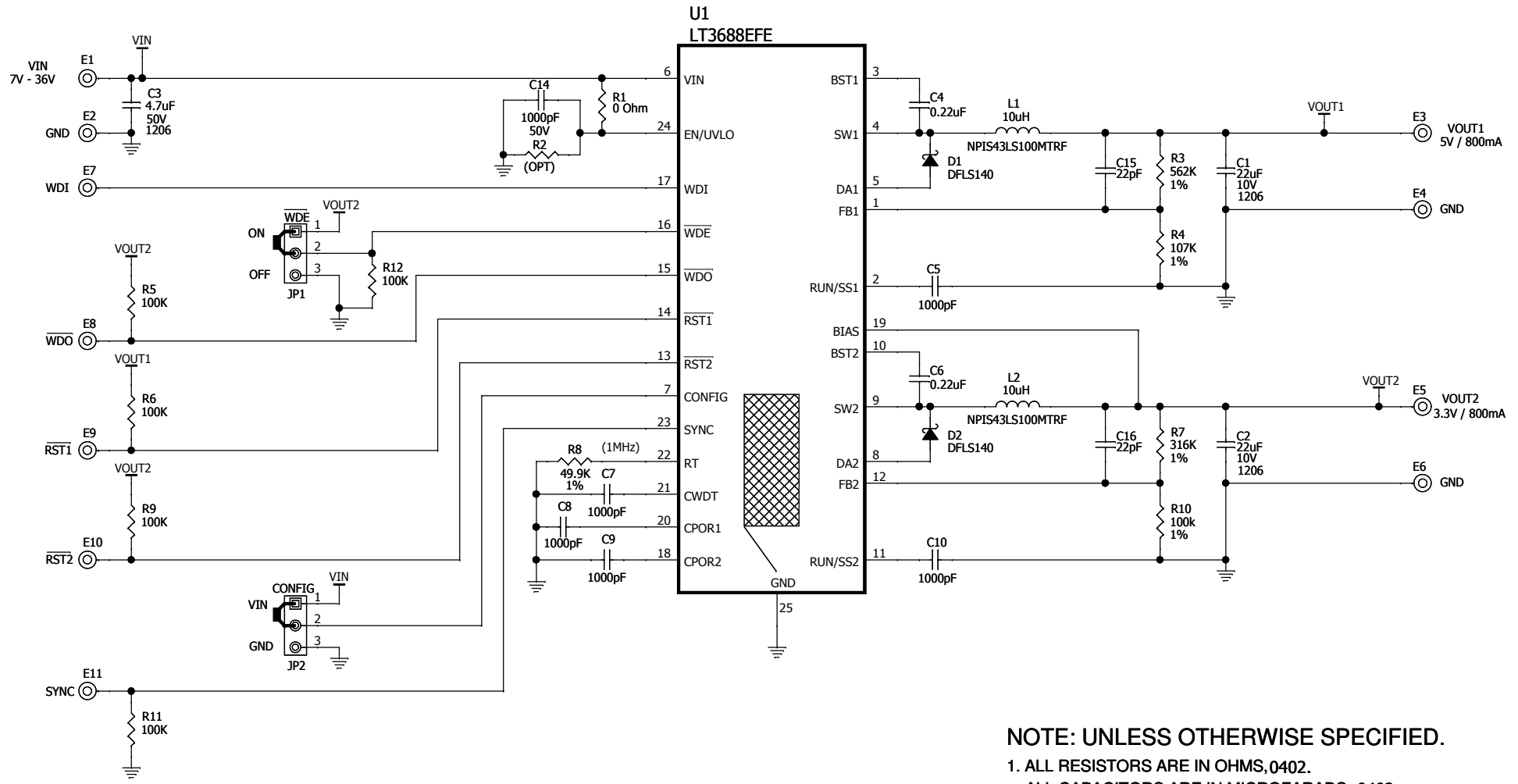
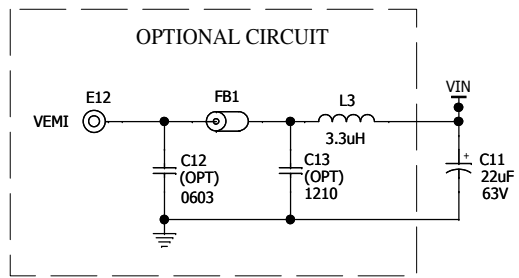



REVISION HISTORY				
ECO	REV	DESCRIPTION	APPROVED	DATE
-	1	PRODUCTION	EDWIN L	11/15/10
	2	C7, C8 & C9 CHANGE TO "NPO"	EDWIN L	12/14/10



NOTE: UNLESS OTHERWISE SPECIFIED.

- ALL RESISTORS ARE IN OHMS, 0402.
ALL CAPACITORS ARE IN MICROFARADS, 0402.
- INSTALL SHUNTS AS SHOWN.



CUSTOMER NOTICE		APPROVALS			1630 McCarthy Blvd. Milpitas, CA 95035 www.linear.com Phone: (408)432-1900 Fax: (408)434-0507 LTC CONFIDENTIAL - FOR CUSTOMER USE ONLY		
LINEAR TECHNOLOGY HAS MADE A BEST EFFORT TO DESIGN A CIRCUIT THAT MEETS CUSTOMER-SUPPLIED SPECIFICATIONS; HOWEVER, IT REMAINS THE CUSTOMER'S RESPONSIBILITY TO VERIFY PROPER AND RELIABLE OPERATION IN THE ACTUAL APPLICATION. COMPONENT SUBSTITUTION AND PRINTED CIRCUIT BOARD LAYOUT MAY SIGNIFICANTLY AFFECT CIRCUIT PERFORMANCE OR RELIABILITY. CONTACT LINEAR TECHNOLOGY APPLICATIONS ENGINEERING FOR ASSISTANCE. C:\PADS PROJECTS\1439A\SCH\1439A_00_REV2.DSN					PCB DES.	R/B	TITLE: SCHEMATIC DUAL MONOLITHIC STEP-DOWN SWITCHING REGULATOR WITH POWER-ON RESET AND WATCHDOG TIMER SIZE N/A IC NO. LT3688EFE DEMO CIRCUIT 1439A
THIS CIRCUIT IS PROPRIETARY TO LINEAR TECHNOLOGY AND SUPPLIED FOR USE WITH LINEAR TECHNOLOGY PARTS.				APP ENG.	EDWIN L	2	
SCALE = NONE				DATE: Tuesday, December 14, 2010		SHEET 1 OF 1	