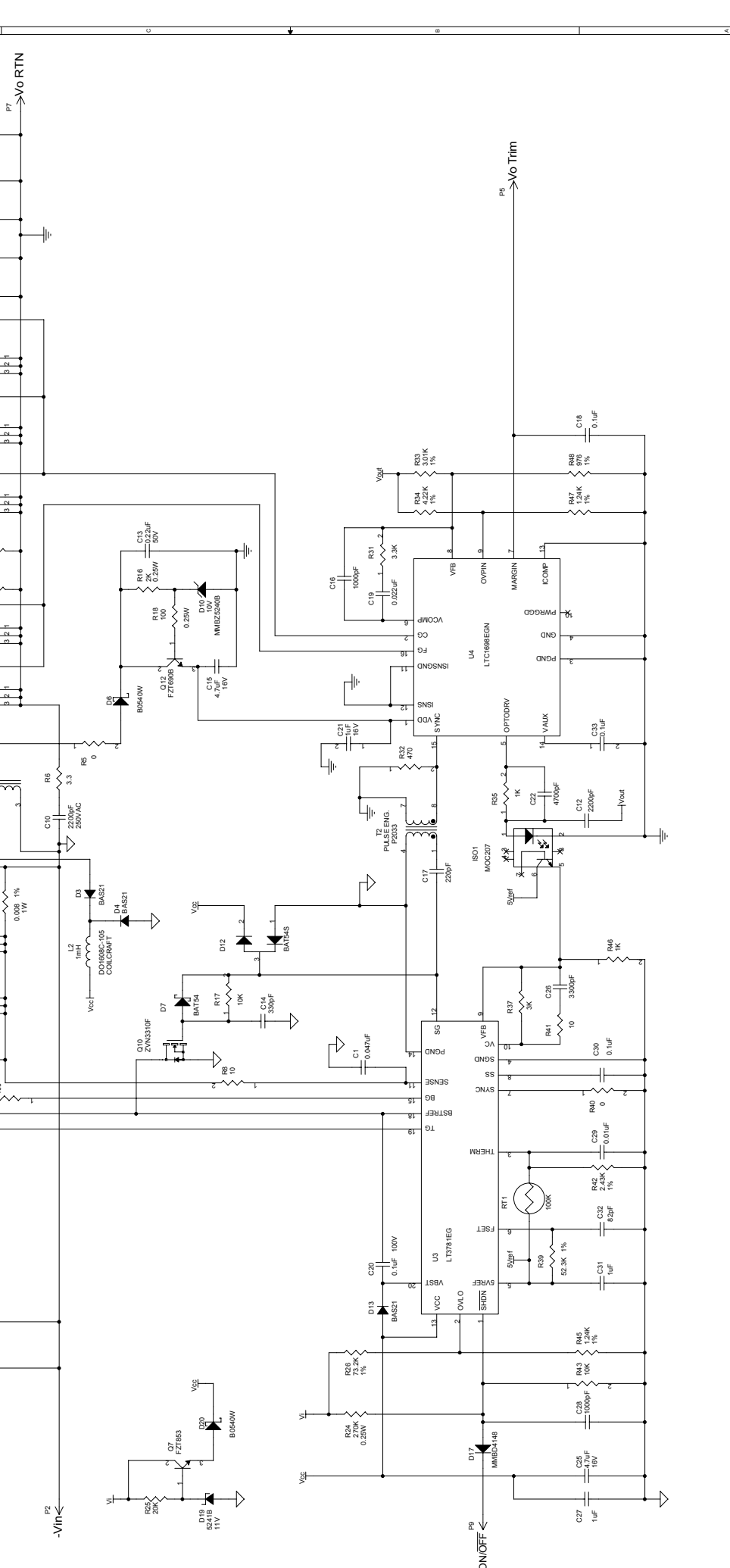


REVISION HISTORY			
ECO	REV	DATE	APPROVED
0	2	06-21-02	<
DESCRIPTION		PROTO	



LTC CONFIDENTIAL - For Customer Use Only

NOTES: UNLESS OTHERWISE SPECIFIED, [1] OPTIONAL.

UNLESS OTHERWISE SPECIFIED DIMENSIONS ARE IN INCHES 2 PLACES - - 3 PLACES - - - REFERENCE DIMENSIONS ARE IN MILLIMETERS

THIRD ANGLE PROJECTION

DO NOT SCALE DRAWING

Monday, November 18, 2002

SCALE: NONE

FILENAME: 467A-2.DSN

SHEET 1 OF 1

DC467A

REV 2

DESIGNER

ENGINEER

APPROVED

CHECKED

DATE 07/31/01

CONTRACT NO.

TITLE SCH, LT1378EGLTC1698EGN 5V/30A OUTPUT

ISOLATED POWER SUPPLY

FILENAME: 467A-2.DSN

DWG NO DC467A

SIZE C

CAGE CODE

SCALE: NONE

REV 2

OF 1

1000 McCarthy Blvd  
Folsom, CA 95630  
Phone: (916) 955-9900  
Fax: (916) 955-9901

LINEAR TECHNOLOGY