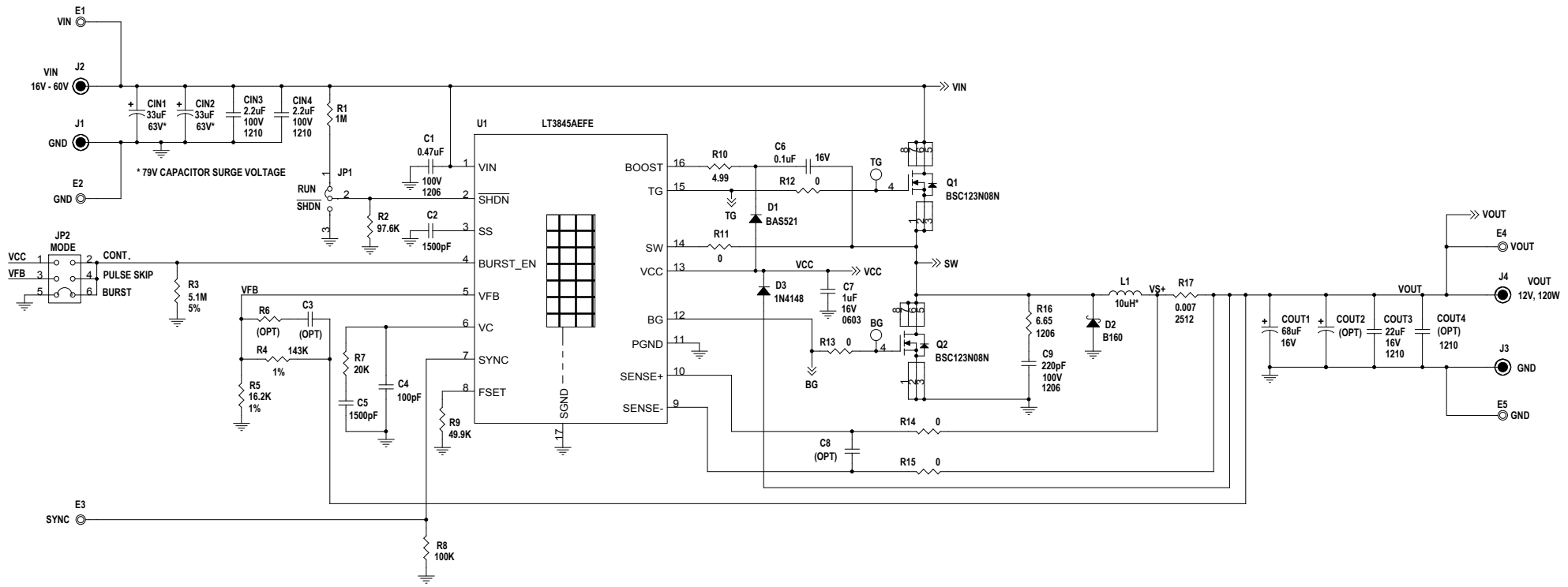


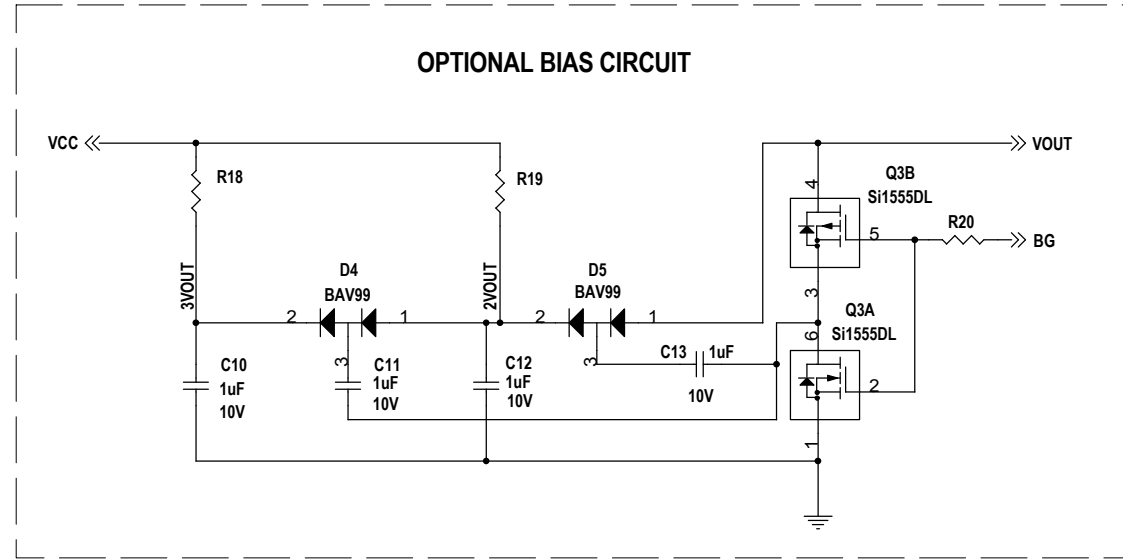
REVISION HISTORY				
ECO	REV	DESCRIPTION	APPROVED	DATE
-	2	PRODUCTION FAB	MARTY M.	11-15-10



NOTES: UNLESS OTHERWISE SPECIFIED
 RESISTORS: OHMS, 0402
 CAPACITORS: uF, 0402

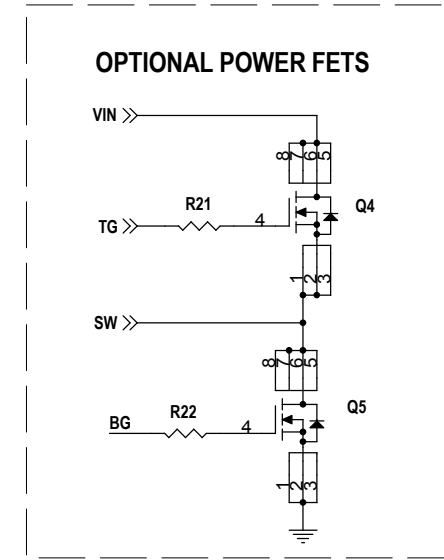
* L1 LAYOUT PADS ARE NON-STANDARD PADS DESIGNED TO ACCOMMODATE THE WURTH ELEKTRONIC, 74435561100 INDUCTOR OR THE WURTH ELEKTRONIC, 7443551151 INDUCTOR

CUSTOMER NOTICE		APPROVALS		LINEAR TECHNOLOGY		1630 McCarthy Blvd. Milpitas, CA 95035 Phone: (408)432-1900 www.linear.com Fax: (408)434-0507 LTC Confidential-For Customer Use Only	
LINEAR TECHNOLOGY HAS MADE A BEST EFFORT TO DESIGN A CIRCUIT THAT MEETS CUSTOMER-SUPPLIED SPECIFICATIONS; HOWEVER, IT REMAINS THE CUSTOMER'S RESPONSIBILITY TO VERIFY PROPER AND RELIABLE OPERATION IN THE ACTUAL APPLICATION. COMPONENT SUBSTITUTION AND PRINTED CIRCUIT BOARD LAYOUT MAY SIGNIFICANTLY AFFECT CIRCUIT PERFORMANCE OR RELIABILITY. CONTACT LINEAR TECHNOLOGY APPLICATIONS ENGINEERING FOR ASSISTANCE.		PCB DES:	NC	TITLE: SCHEMATIC HIGH VOLTAGE SYNCHRONOUS BUCK CONTROLLER WITH ADJUSTABLE OPERATING FREQUENCY		SIZE:	N/A
THIS CIRCUIT IS PROPRIETARY TO LINEAR TECHNOLOGY AND SUPPLIED FOR USE WITH LINEAR TECHNOLOGY PARTS.		APP ENG:	MARTY M.			IC NO.:	LT3845AEFE
		SCALE:	NONE	DATE:	11-15-10	SHEET 1 OF 2	



USE OPTIONAL BIAS CIRCUIT TO BACKFEED VCC WHEN VOUT IS BETWEEN 3V AND 9V AND VCC POWER DISSIPATION EXCEEDS 250mW.

REFER TO THE LT3845AEFE DATASHEET FOR MORE DETAILS.



CUSTOMER NOTICE

LINEAR TECHNOLOGY HAS MADE A BEST EFFORT TO DESIGN A CIRCUIT THAT MEETS CUSTOMER-SUPPLIED SPECIFICATIONS; HOWEVER, IT REMAINS THE CUSTOMER'S RESPONSIBILITY TO VERIFY PROPER AND RELIABLE OPERATION IN THE ACTUAL APPLICATION. COMPONENT SUBSTITUTION AND PRINTED CIRCUIT BOARD LAYOUT MAY SIGNIFICANTLY AFFECT CIRCUIT PERFORMANCE OR RELIABILITY. CONTACT LINEAR TECHNOLOGY APPLICATIONS ENGINEERING FOR ASSISTANCE.

THIS CIRCUIT IS PROPRIETARY TO LINEAR TECHNOLOGY AND SUPPLIED FOR USE WITH LINEAR TECHNOLOGY PARTS.

APPROVALS

PCB DES.	NC
APP ENG.	MARTY M.

SCALE = NONE



1630 McCarthy Blvd.
Milpitas, CA 95035
Phone: (408)432-1900 www.linear.com
Fax: (408)434-0507
LTC Confidential-For Customer Use Only

TITLE: SCHEMATIC
HIGH VOLTAGE SYNCHRONOUS BUCK
CONTROLLER WITH ADJUSTABLE OPERATING FREQUENCY

SIZE	IC NO.	REV.
N/A	LT3845AEFE DEMO CIRCUIT 1619A	2

DATE: 11-15-10

SHEET 2 OF 2