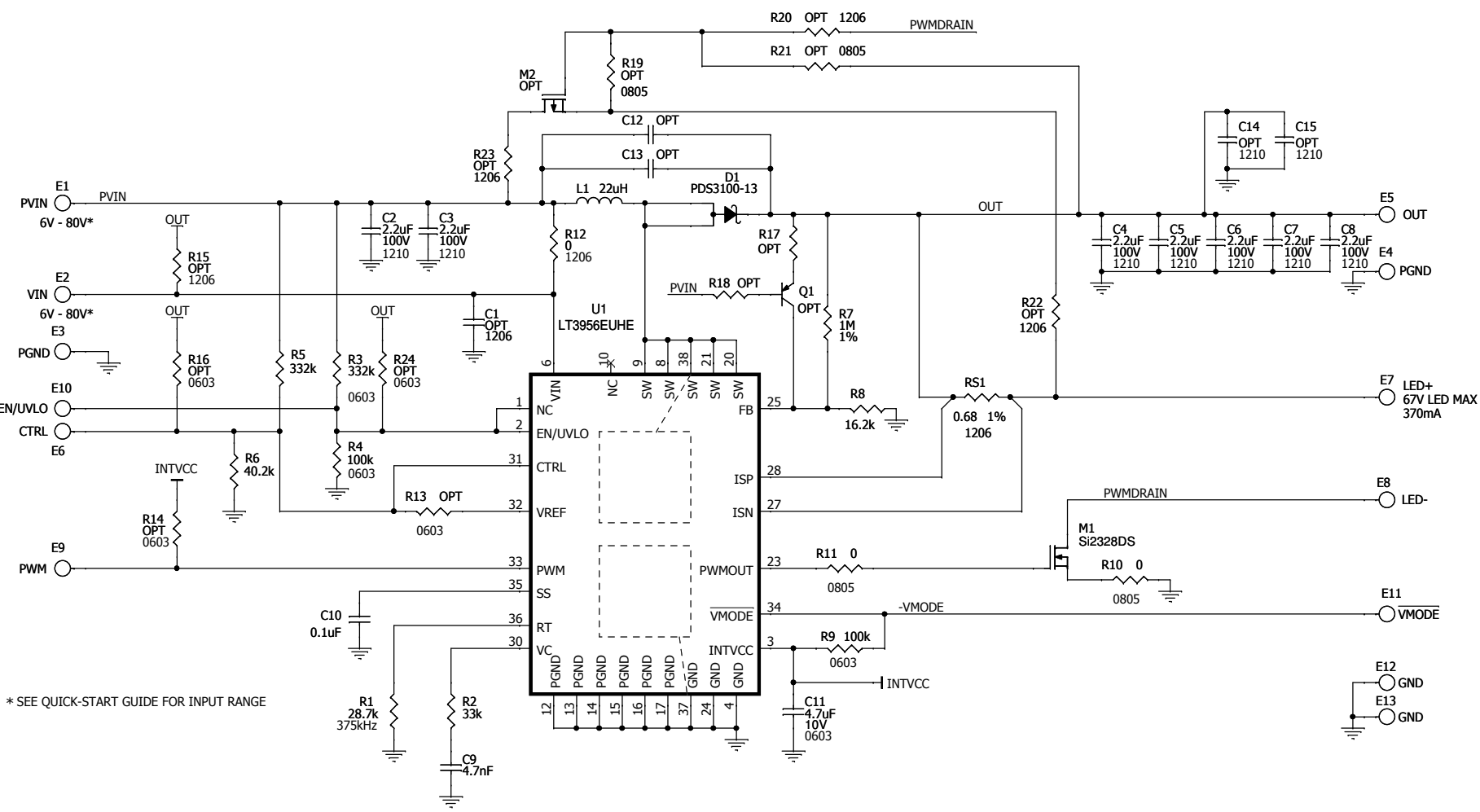



REVISION HISTORY				
ECO	REV	DESCRIPTION	APPROVED	DATE
	3	PRODUCTION	K. SZOLUSHA	03/10/10



\* SEE QUICK-START GUIDE FOR INPUT RANGE

NOTES: UNLESS OTHERWISE SPECIFIED,  
1. CAPACITORS AND RESISTORS ARE 0402 CASE SIZE.

CUSTOMER NOTICE		APPROVALS		 1630 McCarthy Blvd. Milpitas, CA 95035 Phone: (408)432-1900 www.linear.com Fax: (408)434-0507 LTC Confidential-For Customer Use Only			
LINEAR TECHNOLOGY HAS MADE A BEST EFFORT TO DESIGN A CIRCUIT THAT MEETS CUSTOMER-SUPPLIED SPECIFICATIONS; HOWEVER, IT REMAINS THE CUSTOMER'S RESPONSIBILITY TO VERIFY PROPER AND RELIABLE OPERATION IN THE ACTUAL APPLICATION. COMPONENT SUBSTITUTION AND PRINTED CIRCUIT BOARD LAYOUT MAY SIGNIFICANTLY AFFECT CIRCUIT PERFORMANCE OR RELIABILITY. CONTACT LINEAR TECHNOLOGY APPLICATIONS ENGINEERING FOR ASSISTANCE.		PCB DES.	MI	TITLE: SCHEMATIC <b>80VIN / 80VOUT LED DRIVER</b>			
THIS CIRCUIT IS PROPRIETARY TO LINEAR TECHNOLOGY AND SUPPLIED FOR USE WITH LINEAR TECHNOLOGY PARTS.		APP ENG.	KEITH S.				
		SIZE	N/A	IC NO.	LT3956EUHE DEMO CIRCUIT 1521A	REV.	3
		DATE: Friday, April 02, 2010		SCALE = NONE		SHEET 1 OF 1	