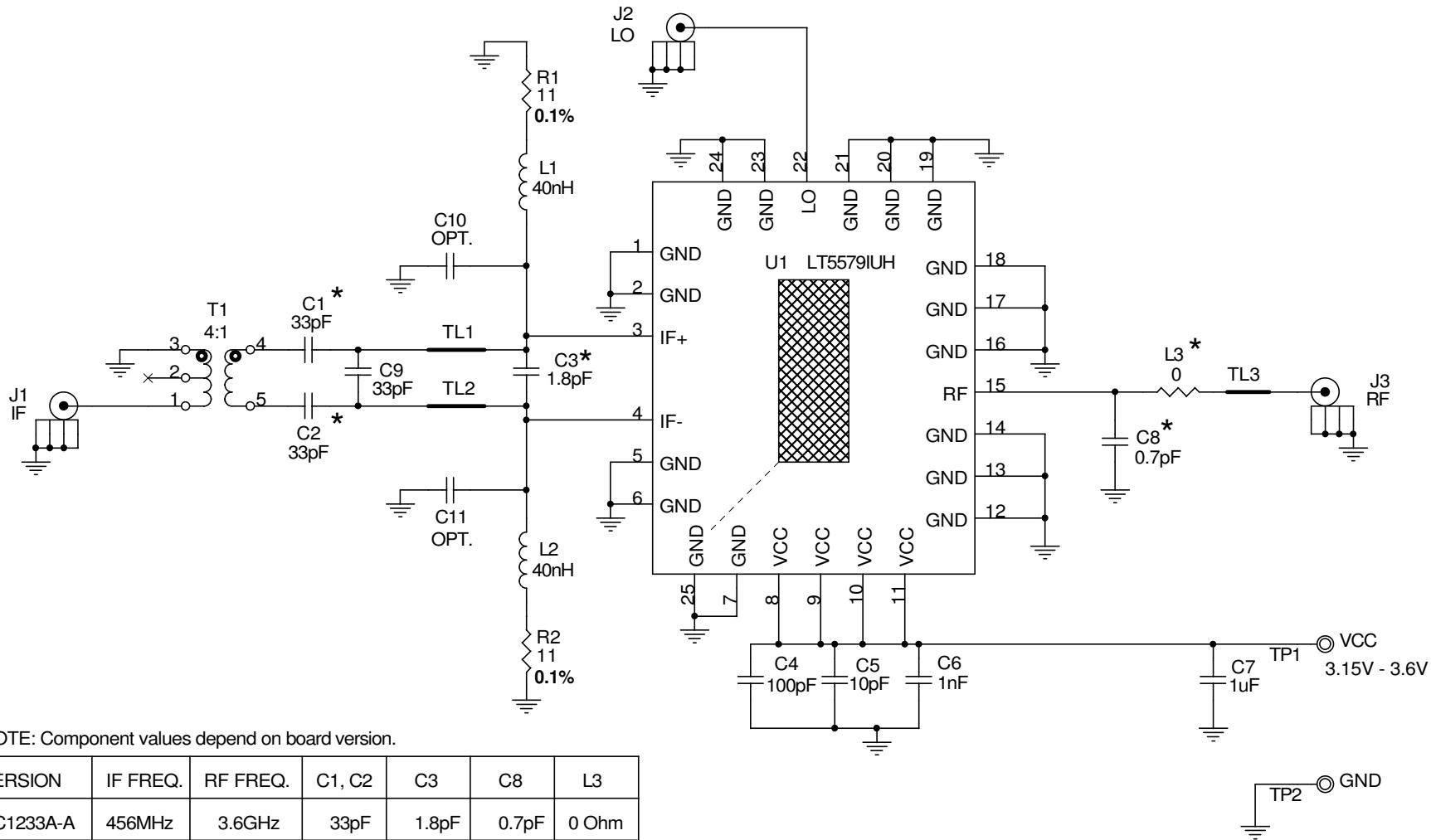


1.1GHz - 4GHz



* NOTE: Component values depend on board version.

VERSION	IF FREQ.	RF FREQ.	C1, C2	C3	C8	L3
DC1233A-A	456MHz	3.6GHz	33pF	1.8pF	0.7pF	0 Ohm
DC1233A-B	456MHz	2.6GHz	33pF	2.7pF	—	1nH
DC1233A-C	240MHz	2.14GHz	82pF	—	0.45pF	3.9nH
DC1233A-D	240MHz	1.95GHz	82pF	—	1pF	4.7nH

<p>CUSTOMER NOTICE</p> <p>LINEAR TECHNOLOGY HAS MADE A BEST EFFORT TO DESIGN A CIRCUIT THAT MEETS CUSTOMER-SUPPLIED SPECIFICATIONS; HOWEVER, IT REMAINS THE CUSTOMER'S RESPONSIBILITY TO VERIFY PROPER AND RELIABLE OPERATION IN THE ACTUAL APPLICATION. COMPONENT SUBSTITUTION AND PRINTED CIRCUIT BOARD LAYOUT MAY SIGNIFICANTLY AFFECT CIRCUIT PERFORMANCE OR RELIABILITY. CONTACT LINEAR TECHNOLOGY APPLICATIONS ENGINEERING FOR ASSISTANCE.</p> <p>THIS CIRCUIT IS PROPRIETARY TO LINEAR TECHNOLOGY AND SUPPLIED FOR USE WITH LINEAR TECHNOLOGY PARTS.</p>	CONTRACT NO.		<p>1630 McCarthy Blvd. Milpitas, CA 95035 Phone: (408)432-1900 Fax: (408)434-0507</p>
	APPROVALS	DATE	
	DRAWN HELEN Z.	10/02/07	TITLE
	CHECKED		<p>LT5579IUH</p> <p>HIGH LINEARITY ACTIVE MIXER</p>
	APPROVED		SIZE
ENGINEER SUNNY H.	10/02/07	CAGE CODE	DWG NO
DESIGNER			DC1233A-A/B/C/D
			REV A
	Wednesday, January 23, 2008	SCALE:	FILENAME:
			SHEET 1 OF 1