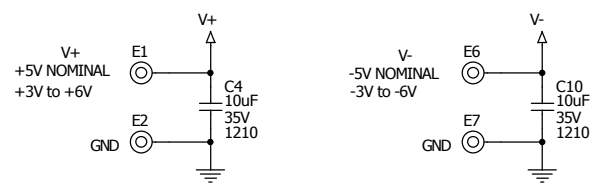
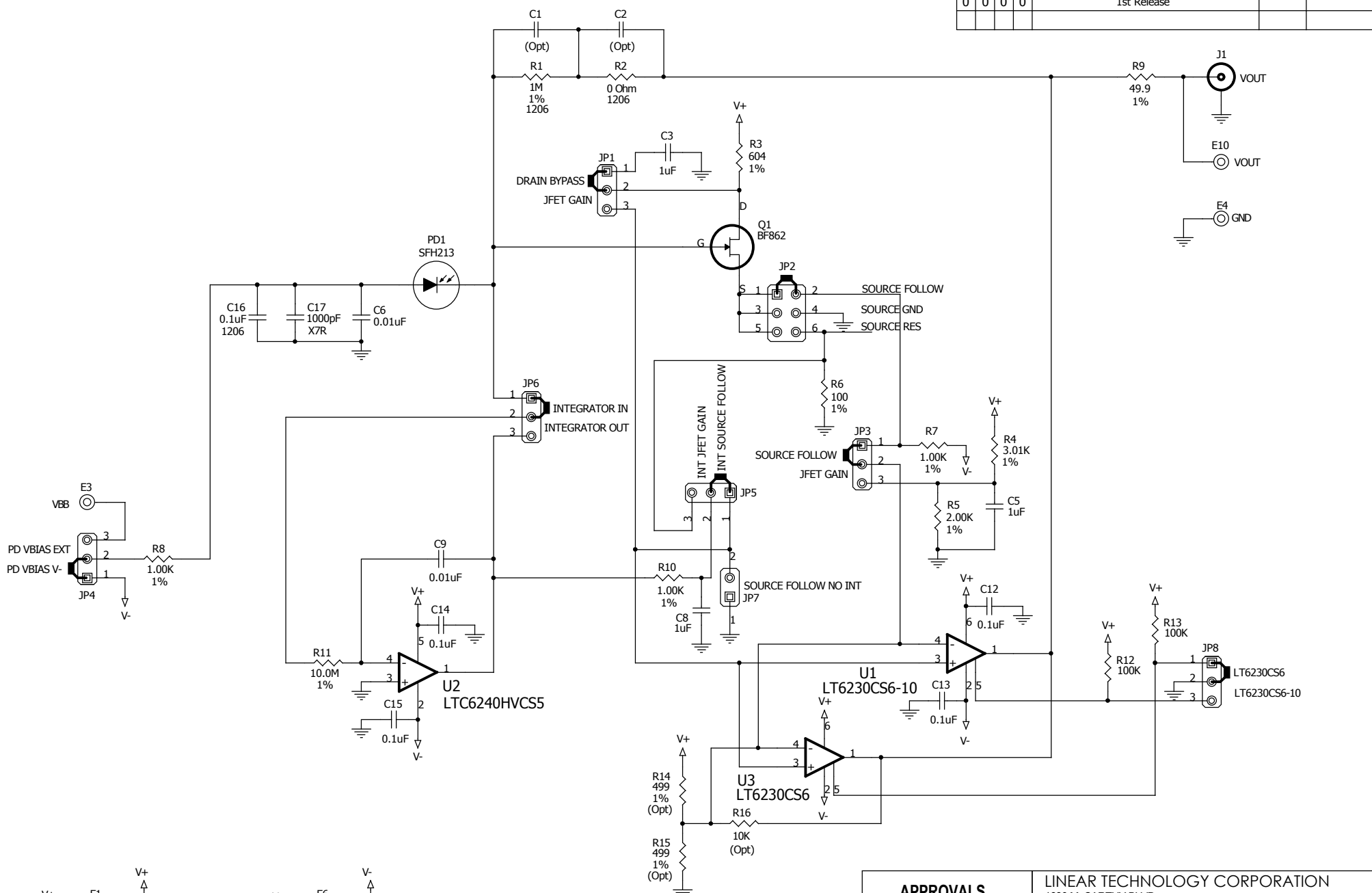


REVISION #				REVISION HISTORY		
SD	PC	AD	FD	DESCRIPTION	DATE	APPROVED
0	0	0	0	1st Release		



This circuit is proprietary to Linear Technology and supplied for use with Linear Technology parts.

Customer Notice: Linear Technology has made a best effort to design a circuit that meets customer-supplied specifications; however, it remains the customers responsibility to verify proper and reliable operation in the actual application. Component substitution and printed circuit board layout may significantly affect circuit performance or reliability. Contact Linear Applications Engineering for assistance.

APPROVALS		LINEAR TECHNOLOGY CORPORATION	
DRAWN: Rudy Bautista		1630 McARTHUR BLVD	www.linear.com
ENGINEER: Glen Brisebois		MILPITAS, CA. 95035	LTC Confidential -
APPROVED:		(408)432-1900	For Customer Use Only
CHECKED:		(408)434-0507 (FAX)	
Date: Thursday, April 30, 2009		Title: LT6230CS6/LT6230CS6-10/LTC6240HVCS5	
		LOW NOISE, PHOTODIODE TIA	
SD	Document Number	DEMO CIRCUIT 1417A	Rev 1