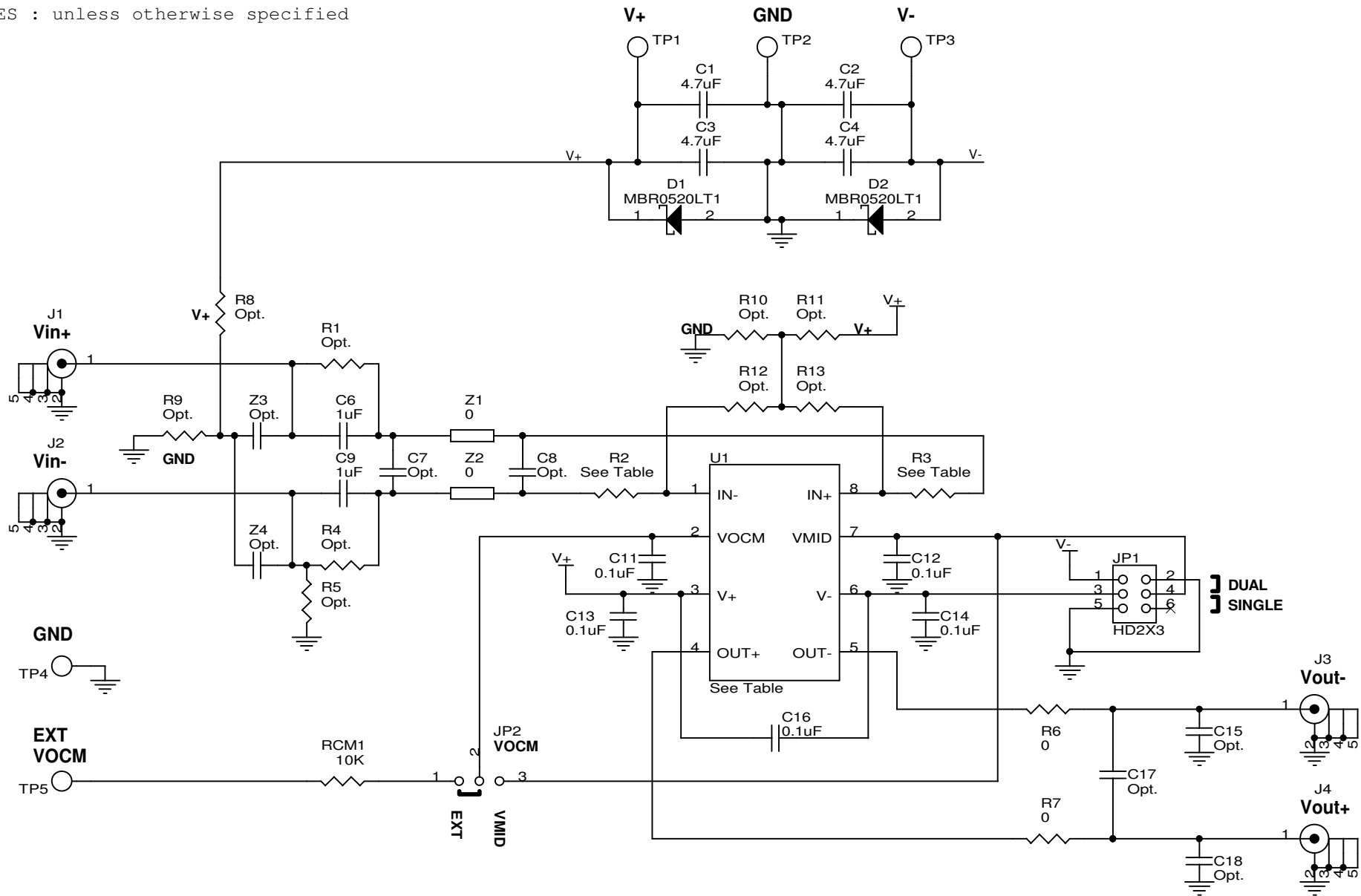


NOTES : unless otherwise specified



Table

ASSEMBLY	U1	R2	R3
DC962A-A	LT6600CS8-2.5	1580 ohm	1580 ohm
DC962A-B	LT6600CS8-5	806 ohm	806 ohm
DC962A-C	LT6600CS8-10	402 ohm	402 ohm
DC962A-D	LT6600CS8-15	536 ohm	536 ohm
DC962A-E	LT6600CS8-20	402 ohm	402 ohm

LTC CONFIDENTIAL - FOR CUSTOMER USE ONLY

Customer Notice

Linear Technology Has Made A Best Effort To Design A Circuit That Meets Customer-Supplied Specifications; However, It Remains The Customer's Responsibility To Verify Proper And Reliable Operation In The Actual Application. Component Substitution And Printed Circuit Board Layout May Significantly Affect Circuit Performance Or Reliability. Contact Linear Technology Applications Engineering For Assistance.
This Circuit Is Proprietary To Linear Technology And Supplied For Use With Linear Technology Parts.

LINEAR TECHNOLOGY CORPORATION

1630 MCCARTHY BLVD.
MILPITAS, CA 95035
PHONE (408) 432-1900 FAX (408) 434-0507

Title			Fully Differential LowPass Filter		
Size	Document Number				Rev
	DC962A	LT6600CS8			
Date:		Sheet	1	of	1