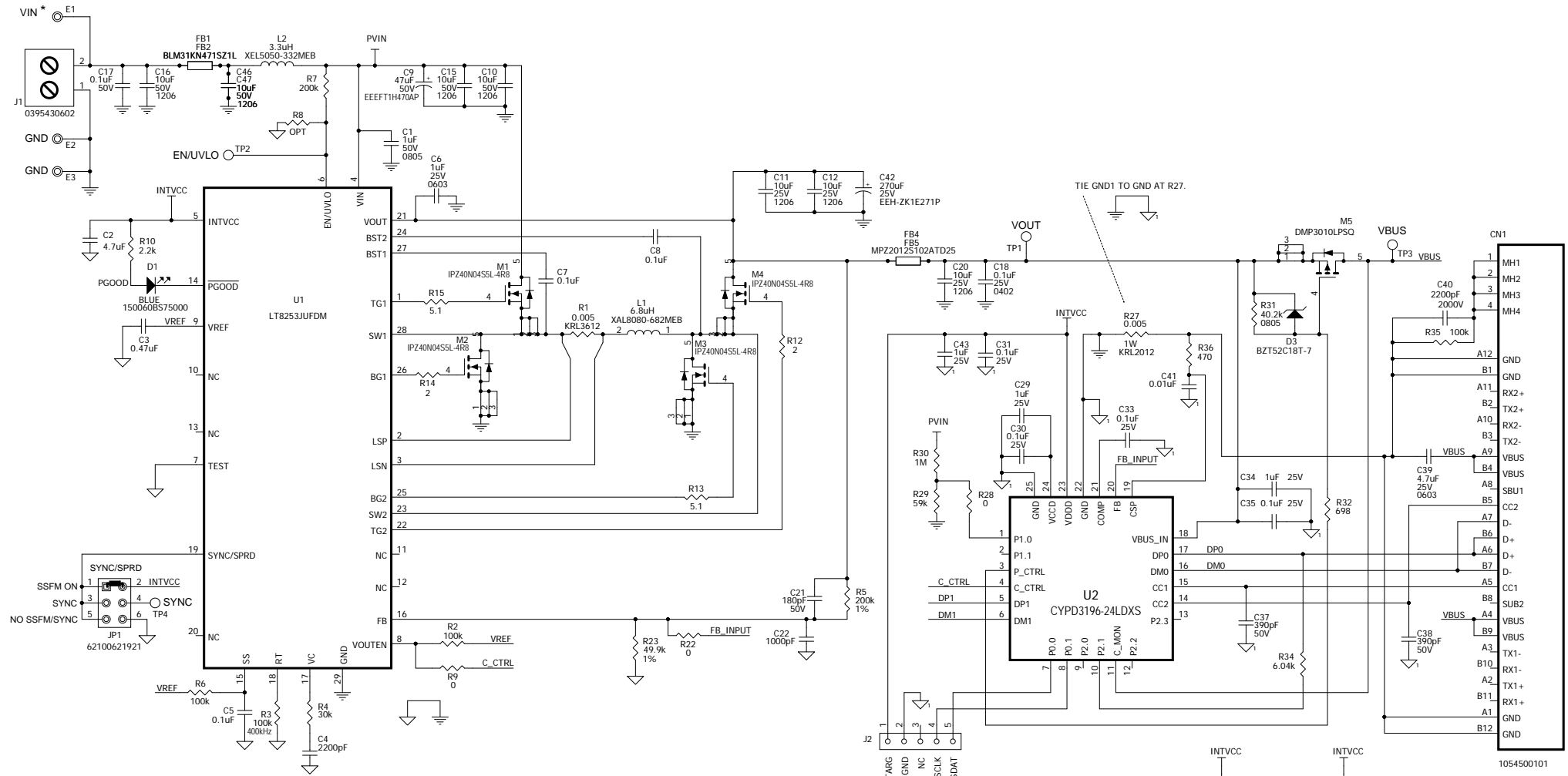


* SEE DEMO MANUAL



NOTE: UNLESS OTHERWISE SPECIFIED

ALL CAPACITORS ARE 0402.
ALL RESISTORS ARE 0402.

CUSTOMER NOTICE

ANALOG DEVICES HAS MADE A BEST EFFORT TO DESIGN A CIRCUIT THAT MEETS CUSTOMER-SUPPLIED SPECIFICATIONS; HOWEVER, IT REMAINS THE CUSTOMER'S RESPONSIBILITY TO VERIFY PROPER AND RELIABLE OPERATION IN THE ACTUAL APPLICATION. COMPONENT SUBSTITUTION AND PRINTED CIRCUIT BOARD LAYOUT MAY SIGNIFICANTLY AFFECT CIRCUIT PERFORMANCE OR RELIABILITY. CONTACT ANALOG DEVICES APPLICATIONS ENGINEERING FOR ASSISTANCE.

THIS CIRCUIT IS PROPRIETARY TO ANALOG DEVICES AND SUPPLIED FOR USE WITH ANALOG DEVICES PARTS.



TITLE: SCHEMATIC
400kHz 60W AUTOMOTIVE USB TYPE-C PD CHARGER

IC NO. LT8253
SKU NO. DC3004A

SCHEMATIC NO. AND REVISION:
710-DC3004A_REV04

SIZE: N/A DATE: Monday, June 22, 2020

SHEET 1 OF 1