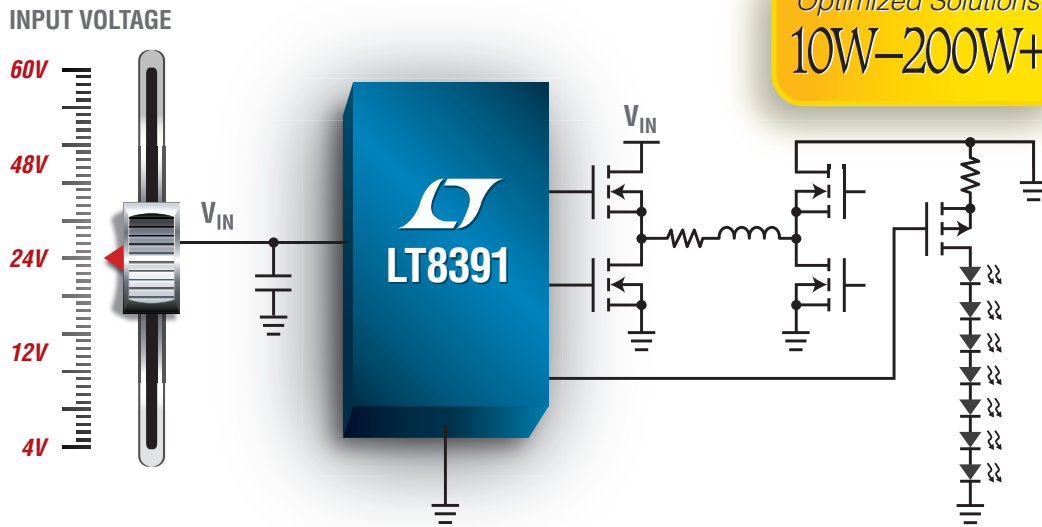


# 60V Synchronous Buck-Boost LED Driver



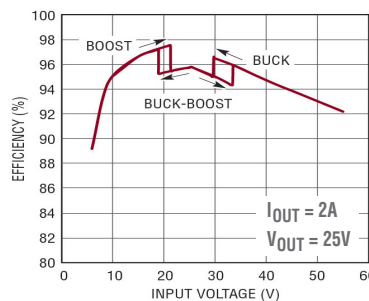
## Flexible Power Range, Low EMI Design & Robust Performance

The LT8391 is a synchronous 4-switch buck-boost DC/DC LED controller that regulates LED current from input voltages above, below or equal to the output voltage. It can deliver 10W to over 200W of LED power with efficiency as high as 98% and  $\pm 3\%$  LED current accuracy. Its 4V to 60V input voltage range is ideal for a wide range of applications including automotive, industrial and architectural lighting. Similarly, its output voltage can be set from 0V to 60V, enabling it to drive a wide range of LEDs in a single string. The LT8391 offers 128:1 internal dimming and 2,000:1 dimming using an external PWM signal. Its unique topology incorporates direct inductor current measurement at all times, offering robust performance under all conditions while spread spectrum frequency modulation minimizes EMI concerns.

### Features

- 4-Switch Single Inductor Architecture  
Allows  $V_{IN}$ , Above, Below or Equal to  $V_{OUT}$
- Synchronous Switching:  
Up to 98% Efficiency
- $\pm 3\%$  LED Current Accuracy
- 2,000:1 External & 128:1 Internal PWM Dimming
- CISPR25, Class 5 EMI Requirements

### Efficiency vs $V_{IN}$



### Info & Free Samples

[www.linear.com/product/LT8391](http://www.linear.com/product/LT8391)

1-800-4-LINEAR

LT, LT, LTC, LTM, Linear Technology and the Linear logo are registered trademarks of Linear Technology Corporation. All other trademarks are the property of their respective owners.