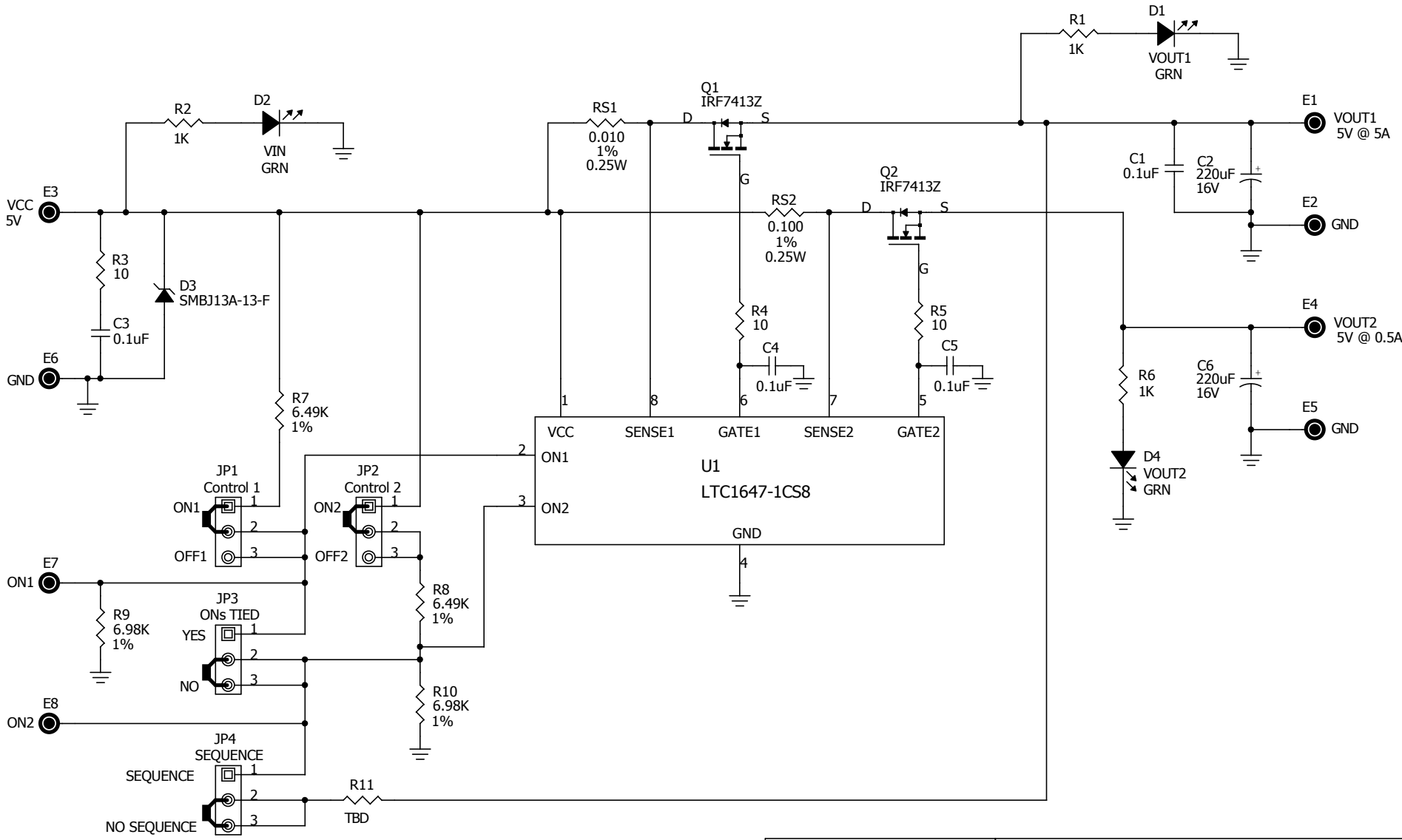


REVISION HISTORY				
ECO	REV	DESCRIPTION	DATE	APPROVED
	0	1st PROTOTYPE		



This circuit is proprietary to Linear Technology and supplied for use with Linear Technology parts.
Customer Notice: Linear Technology has made a best effort to design a circuit that meets customer-supplied specifications; however, it remains the customers responsibility to verify proper and reliable operation in the actual application. Component substitution and printed circuit board layout may significantly affect circuit performance or reliability. Contact Linear Applications Engineering for assistance.

APPROVALS		LINEAR TECHNOLOGY CORPORATION	
		1630 McCARTHY BLVD	
		MILPITAS, CA. 95035	
DRAWN: Rudy Bautista		(408)432-1900	
ENGINEER: Vlad Ostrerov		(408)434-0507 (FAX)	
APPROVED:		Title LTC1647-1CS8	
CHECKED:		Dual Hot Swap Controller	
		Document Number	
		SD	
		DEMO CIRCUIT 1358A	
		Rev 1	
Date: Wednesday, September 17, 2008		C:\ORCADWIN\CAPTURE\1358A\1358A_REV1.DSN	
		Sheet 1 of 1	