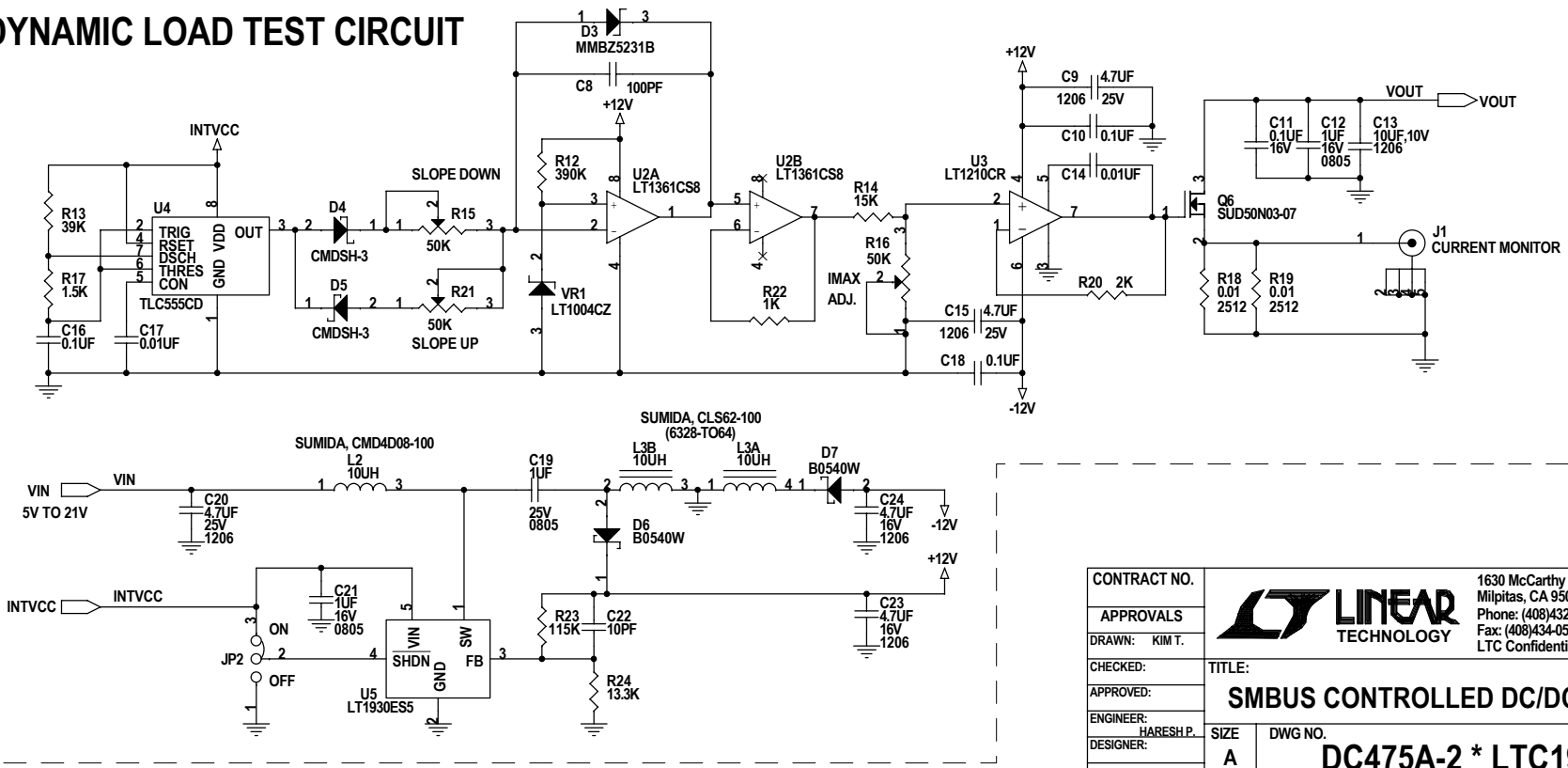


- NOTES: UNLESS OTHERWISE SPECIFIED**
1. ALL RESISTORS ARE IN OHMS, 0603.
  2. ALL CAPACITORS ARE IN MICROFARADS, 0603.
  3. INSTALL SHUNTS ON JP1-JP3 PIN 2 AND 3.

**DYNAMIC LOAD TEST CIRCUIT**



CONTRACT NO.		1630 McCarthy Blvd. Milpitas, CA 95035 Phone: (408)432-1900 Fax: (408)434-0507 LTC Confidential-For Customer Use Only		
APPROVALS		<b>TITLE:</b> <b>SMBUS CONTROLLED DC/DC CONVERTER</b>		
DRAWN: KIM T.				<b>SIZE:</b> A <b>DWG NO.:</b> DC475A-2 * LTC1909-8EG <b>REV:</b> A
CHECKED:				<b>DATE:</b> Tuesday, April 01, 2003
APPROVED:				<b>SHEET:</b> 1 OF 1
ENGINEER: HARESH.P. DESIGNER:				