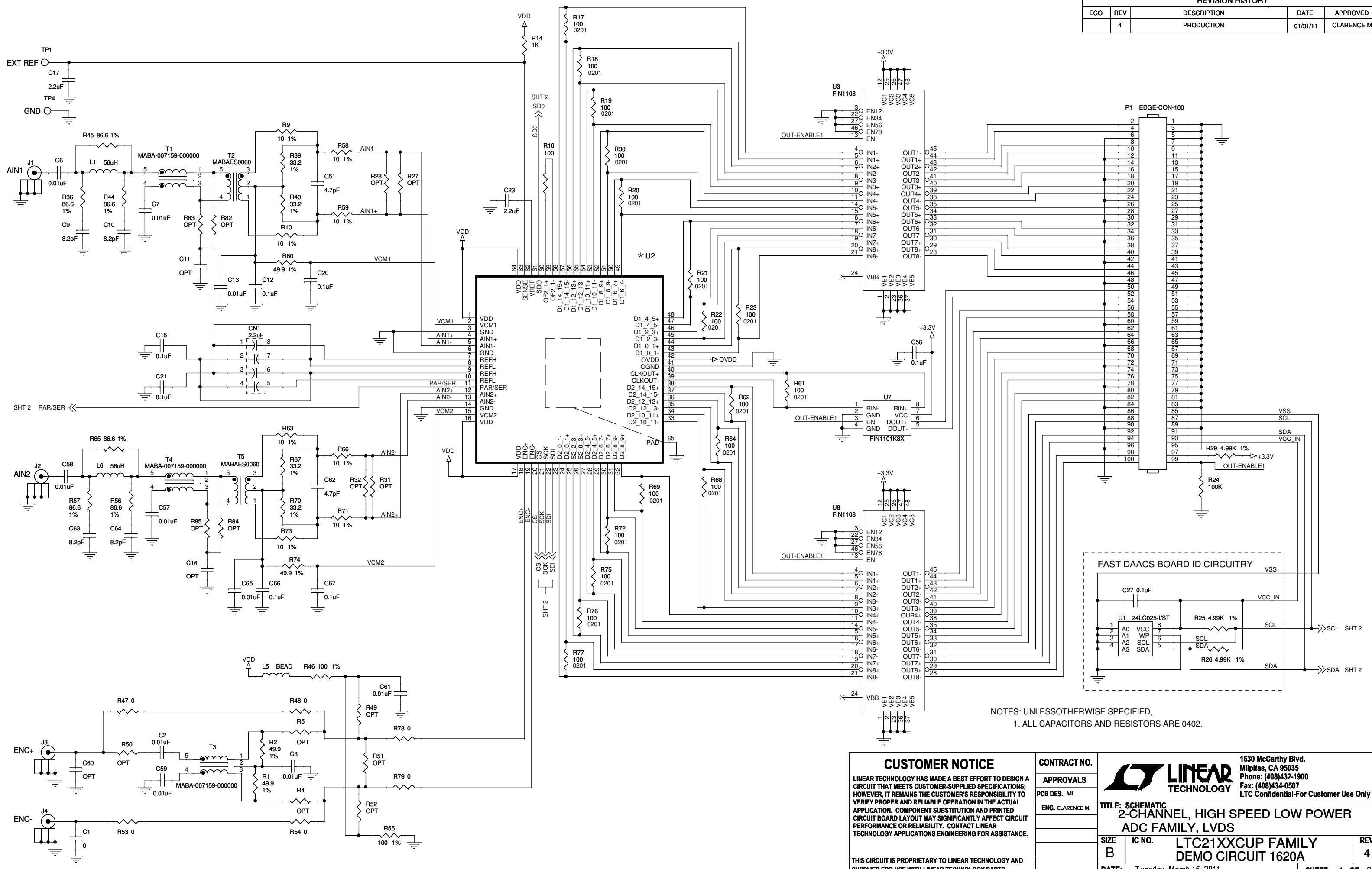


REVISION HISTORY				
ECO	REV	DESCRIPTION	DATE	APPROVED
	4	PRODUCTION	01/31/11	CLARENCE M.

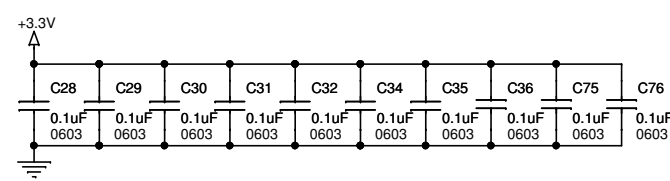
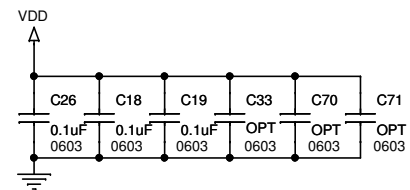
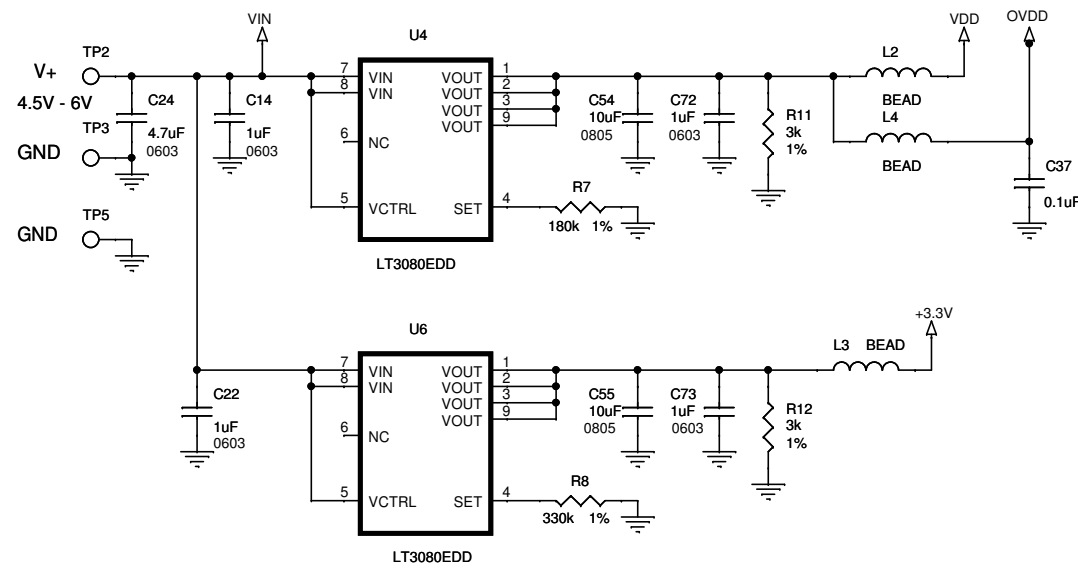
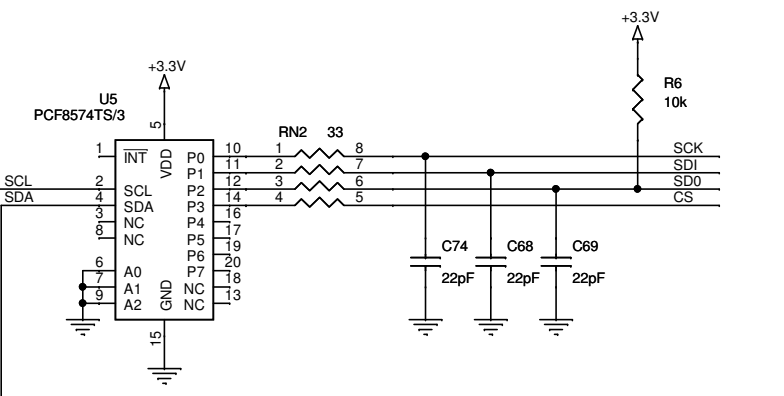
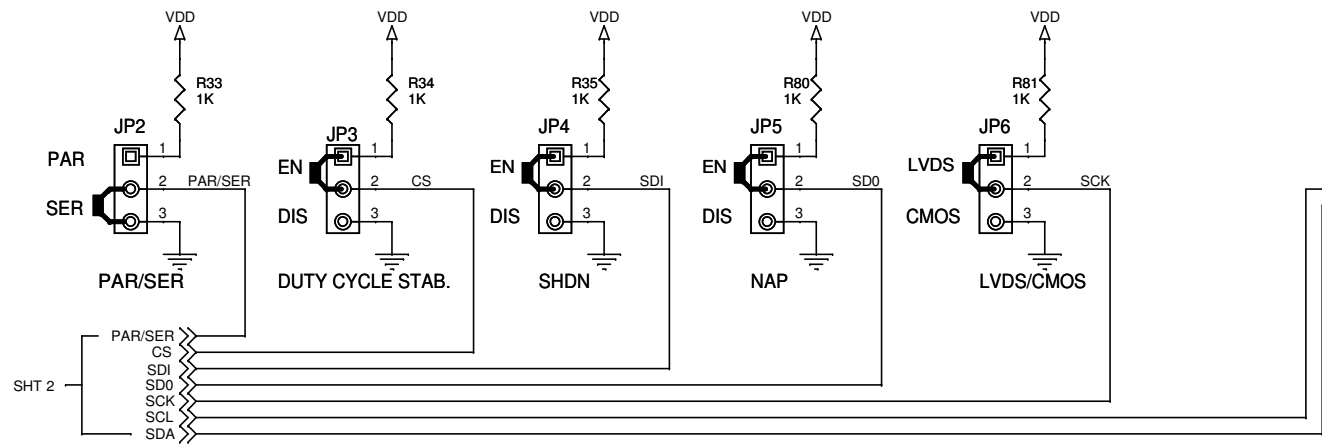


NOTES: UNLESS OTHERWISE SPECIFIED,
1. ALL CAPACITORS AND RESISTORS ARE 0402.

CUSTOMER NOTICE
LINEAR TECHNOLOGY HAS MADE A BEST EFFORT TO DESIGN A CIRCUIT THAT MEETS CUSTOMER-SUPPLIED SPECIFICATIONS; HOWEVER, IT REMAINS THE CUSTOMER'S RESPONSIBILITY TO VERIFY PROPER AND RELIABLE OPERATION IN THE ACTUAL APPLICATION. COMPONENT SUBSTITUTION AND PRINTED CIRCUIT BOARD LAYOUT MAY SIGNIFICANTLY AFFECT CIRCUIT PERFORMANCE OR RELIABILITY. CONTACT LINEAR TECHNOLOGY APPLICATIONS ENGINEERING FOR ASSISTANCE.

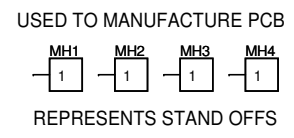
THIS CIRCUIT IS PROPRIETARY TO LINEAR TECHNOLOGY AND SUPPLIED FOR USE WITH LINEAR TECHNOLOGY PARTS.

CONTRACT NO.			1630 McCarthy Blvd. Milpitas, CA 95035 Phone: (408)432-1900 Fax: (408)434-0507 LTC Confidential-For Customer Use Only	
APPROVALS			TITLE: SCHEMATIC 2-CHANNEL, HIGH SPEED LOW POWER ADC FAMILY, LVDS	
PCB DES. MI		SIZE	IC NO.	REV
ENG. CLARENCE M.		B	LTC21XXCUP FAMILY DEMO CIRCUIT 1620A	4
		DATE:	Tuesday, March 15, 2011	SHEET 1 OF 2



*

ASSY	U2	SAMPLE RATE	No. of BITS	FREQUENCY R
-A	LTC2185CUP	125Msps	16	5MHz < AIN < 140MHz
-B	LTC2184CUP	105Msps	16	5MHz < AIN < 140MHz
-C	LTC2183CUP	80Msps	16	5MHz < AIN < 140MHz
-D	LTC2182CUP	65Msps	16	5MHz < AIN < 140MHz
-E	LTC2181CUP	40Msps	16	5MHz < AIN < 140MHz
-F	LTC2180CUP	25Msps	16	5MHz < AIN < 140MHz
-G	LTC2145-14CUP	125Msps	14	5MHz < AIN < 140MHz
-H	LTC2144-14CUP	105Msps	14	5MHz < AIN < 140MHz
-I	LTC2143-14CUP	80Msps	14	5MHz < AIN < 140MHz
-J	LTC2142-14CUP	65Msps	14	5MHz < AIN < 140MHz
-K	LTC2141-14CUP	40Msps	14	5MHz < AIN < 140MHz
-L	LTC2140-14CUP	25Msps	14	5MHz < AIN < 140MHz
-M	LTC2145-12CUP	125Msps	12	5MHz < AIN < 140MHz
-N	LTC2144-12CUP	105Msps	12	5MHz < AIN < 140MHz
-O	LTC2143-12CUP	80Msps	12	5MHz < AIN < 140MHz
-P	LTC2142-12CUP	65Msps	12	5MHz < AIN < 140MHz
-Q	LTC2141-12CUP	40Msps	12	5MHz < AIN < 140MHz
-R	LTC2140-12CUP	25Msps	12	5MHz < AIN < 140MHz



<p>CUSTOMER NOTICE</p> <p>LINEAR TECHNOLOGY HAS MADE A BEST EFFORT TO DESIGN A CIRCUIT THAT MEETS CUSTOMER-SUPPLIED SPECIFICATIONS; HOWEVER, IT REMAINS THE CUSTOMER'S RESPONSIBILITY TO VERIFY PROPER AND RELIABLE OPERATION IN THE ACTUAL APPLICATION. COMPONENT SUBSTITUTION AND PRINTED CIRCUIT BOARD LAYOUT MAY SIGNIFICANTLY AFFECT CIRCUIT PERFORMANCE OR RELIABILITY. CONTACT LINEAR TECHNOLOGY APPLICATIONS ENGINEERING FOR ASSISTANCE.</p>	CONTRACT NO.	<p>1630 McCarthy Blvd. Milpitas, CA 95035 Phone: (408)432-1900 Fax: (408)434-0507 LTC Confidential-For Customer Use Only</p>
	APPROVALS	
	PCB DES. M/I	
	ENG. CLARENCE M.	
<p>THIS CIRCUIT IS PROPRIETARY TO LINEAR TECHNOLOGY AND SUPPLIED FOR USE WITH LINEAR TECHNOLOGY PARTS.</p>	<p>TITLE: SCHEMATIC 2-CHANNEL, HIGH SPEED LOW POWER ADC FAMILY, LVDS</p>	<p>SIZE: N/A</p> <p>IC NO. LTC21XXCUP FAMILY</p> <p>REV 4</p>
DATE: Wednesday, May 11, 2011	SHEET 2 OF 2	