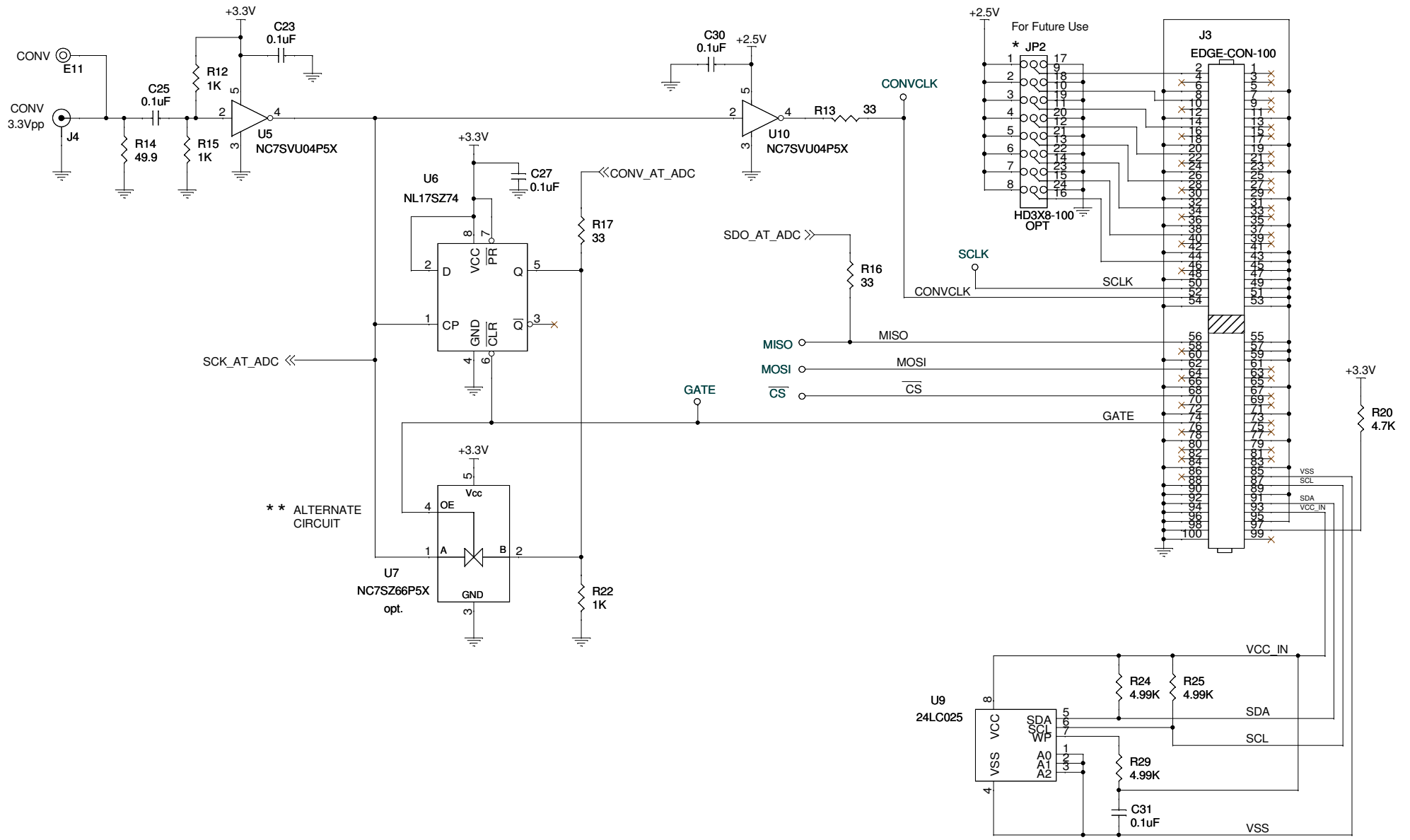


\* VERSION TABLE

Assembly Type	U1	Bits	MspS	Input Range	Channels	JPA	JPB	JPC	JPD	JPE	JPF	J2	JP2	E7, E10	T1	T2	C13, C21	C16, C17	C18, C22	R6, R11	R9
DC1082A-A	LTC1407ACMSE-1	14	3MspS (1.5MspS/Ch)	+/-1.25V	2	3-5 4-6	3-5 4-6	1-3 2-4	3-5 4-6	1-3 2-4	3-5 4-6	Installed	Jumper Wire Pin 8 to Pin 16	Installed	MABAE0060 OPT.	MABAE0060 OPT.	1uF	47pF	0.1uF	10K	49.9
DC1082A-B	LTC1407ACMSE	14	3MspS (1.5MspS/Ch)	0V - 2.5V	2	3-5 4-6	3-5 4-6	1-3 2-4	3-4	1-3 2-4	3-4	Installed			OPT.	OPT.					
DC1082A-C	LTC1403ACMSE-1	14	2.8MspS	+/-1.25V	1	3-5 4-6	OPEN OPEN	1-3 2-4	3-5 4-6	OPEN OPEN	OPEN OPEN	Not Installed	Jumper Wire Pin 16 to Pin 24	Not Installed	MABAE0060 OPT.	Not Installed	Not Installed	0 OHM	Not Installed	Not Installed	Not Installed
DC1082A-D	LTC1403ACMSE	14	2.8MspS	0V - 2.5V	1	3-5 4-6	OPEN OPEN	1-3 2-4	3-4	OPEN OPEN	OPEN OPEN	Not Installed			OPT.	Not Installed	Not Installed				
DC1082A-E	LTC2356CMSE-14	14	3.5MspS	+/-1.25V	1	3-5 4-6	OPEN OPEN	1-3 2-4	3-5 4-6	OPEN OPEN	OPEN OPEN	Not Installed	Jumper Wire Pin 16 to Pin 24	Not Installed	MABAE0060 OPT.	Not Installed	Not Installed	0 OHM	Not Installed	Not Installed	Not Installed
DC1082A-F	LTC2355CMSE-14	14	3.5MspS	0V - 2.5V	1	3-5 4-6	OPEN OPEN	1-3 2-4	3-4	OPEN OPEN	OPEN OPEN	Not Installed			OPT.	Not Installed	Not Installed				

Stuff 0 Ohm 0603 Resistors in Indicated Jumper Positions.

<b>CUSTOMER NOTICE</b>		CONTRACT NO.				1630 McCarthy Blvd. Milpitas, CA 95035 Phone: (408)435-1800 Fax: (408)434-0507	
LINEAR TECHNOLOGY HAS MADE A BEST EFFORT TO DESIGN A CIRCUIT THAT MEETS CUSTOMER-SUPPLIED SPECIFICATIONS; HOWEVER, IT REMAINS THE CUSTOMER'S RESPONSIBILITY TO VERIFY PROPER AND RELIABLE OPERATION IN THE ACTUAL APPLICATION. COMPONENT SUBSTITUTION AND PRINTED CIRCUIT BOARD LAYOUT MAY SIGNIFICANTLY AFFECT CIRCUIT PERFORMANCE OR RELIABILITY. CONTACT LINEAR TECHNOLOGY APPLICATIONS ENGINEERING FOR ASSISTANCE.		APPROVALS DATE DRAWN June Wu 4/7/06 CHECKED APPROVED ENGINEER Guy Hoover 4/7/06 DESIGNER				TITLE <b>LTC1407 FAMILY HIGH SPEED ADC</b>	
THIS CIRCUIT IS PROPRIETARY TO LINEAR TECHNOLOGY AND SUPPLIED FOR USE WITH LINEAR TECHNOLOGY PARTS.		Friday, March 08, 2008		SCALE:	FILENAME:	DC1082A	REV A




**CUSTOMER NOTICE**

LINEAR TECHNOLOGY HAS MADE A BEST EFFORT TO DESIGN A CIRCUIT THAT MEETS CUSTOMER-SUPPLIED SPECIFICATIONS; HOWEVER, IT REMAINS THE CUSTOMER'S RESPONSIBILITY TO VERIFY PROPER AND RELIABLE OPERATION IN THE ACTUAL APPLICATION. COMPONENT SUBSTITUTION AND PRINTED CIRCUIT BOARD LAYOUT MAY SIGNIFICANTLY AFFECT CIRCUIT PERFORMANCE OR RELIABILITY. CONTACT LINEAR TECHNOLOGY APPLICATIONS ENGINEERING FOR ASSISTANCE.

THIS CIRCUIT IS PROPRIETARY TO LINEAR TECHNOLOGY AND SUPPLIED FOR USE WITH LINEAR TECHNOLOGY PARTS.

CONTRACT NO.	
APPROVALS	DATE
DRAWN June Wu	4/7/06
CHECKED	
APPROVED	
ENGINEER Guy Hoover	4/7/06
DESIGNER	



1630 McCarthy Blvd.  
Milpitas, CA 95035  
Phone: (408)432-1900  
Fax: (408)434-0507

**TITLE**

LTC1407 FAMILY  
HIGH SPEED ADC

SIZE	CAGE CODE	DWG NO	REV
		DC1082A	A

Wednesday, February 28, 2006 10:41 AM  
 SCALE: FILENAME: SHEET 2 OF 2