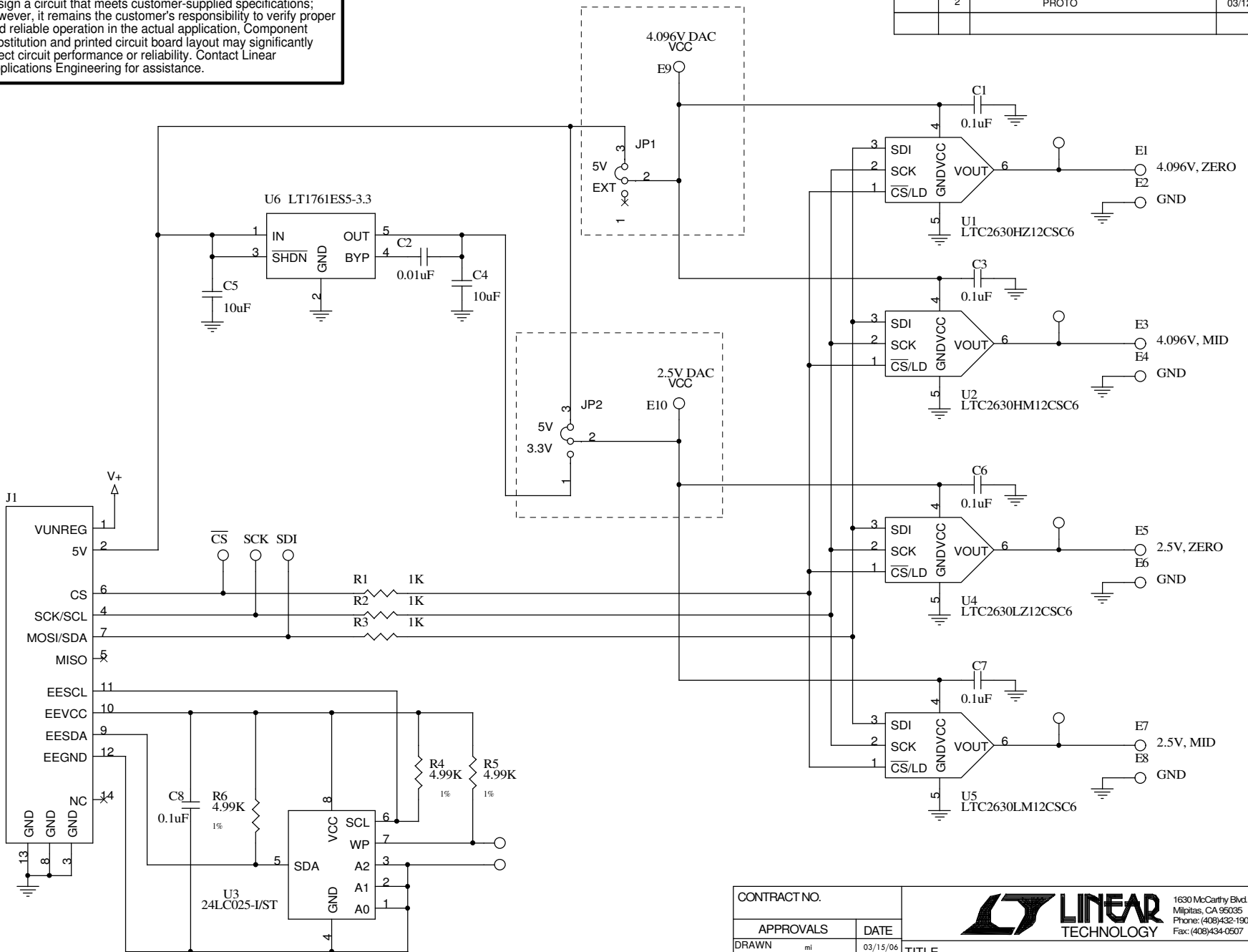



This circuit is proprietary to Linear Technology and supplied for use with Linear Technology parts.
Customer Notice: Linear Technology has made a best effort to design a circuit that meets customer-supplied specifications; however, it remains the customer's responsibility to verify proper and reliable operation in the actual application. Component substitution and printed circuit board layout may significantly affect circuit performance or reliability. Contact Linear Applications Engineering for assistance.

REVISION HISTORY				
ECO	REV	DESCRIPTION	DATE	APPROVED
	2	PROTO	03/12/07	



CONTRACT NO.		 LINEAR TECHNOLOGY 1630 McCarthy Blvd. Milpitas, CA 95035 Phone: (408)432-1900 Fax: (408)434-0507	
APPROVALS			
DRAWN	mi	03/15/06	TITLE
CHECKED			SCH, LTC2630 FAMILY OF SINGLE SPI DAC's
APPROVED			
ENGINEER			SIZE
DESIGNER			CAGE CODE
			DWG NO
			DC1074A
			REV
			2
Tuesday, March 20, 2007		SCALE:	FILENAME: 1074A-2.DSN
		SHEET	1 OF 1