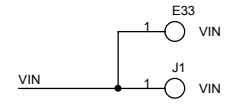
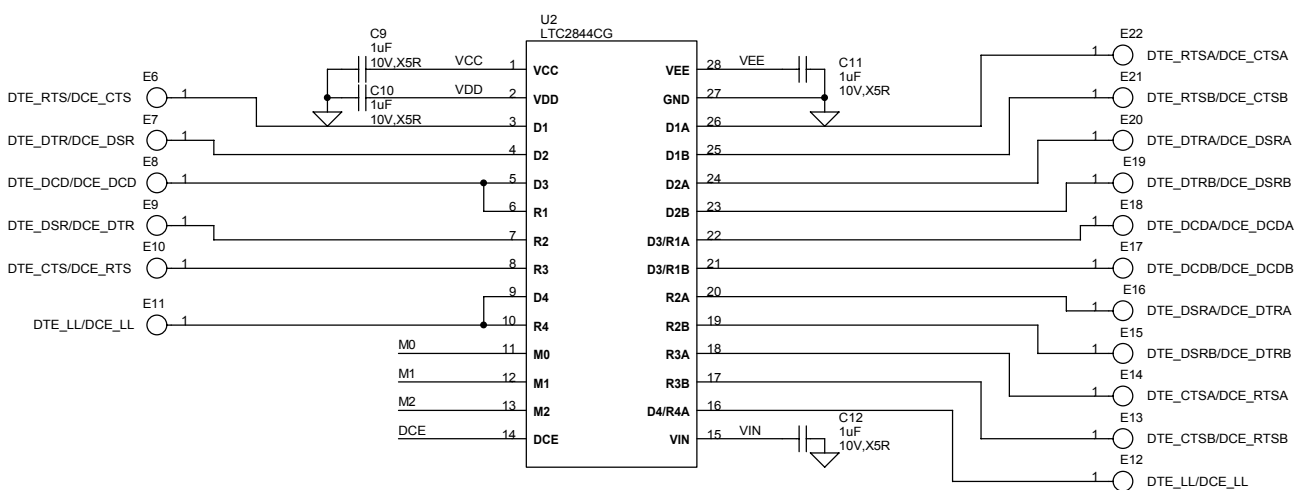
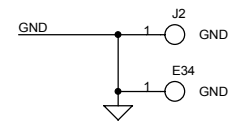


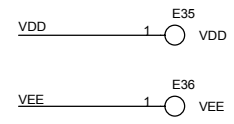
**TTL LEVEL  
MODE SELECT**



**INPUT POWER**



**CHARGE PUMP  
OUTPUT**



**SWITCHER  
OUTPUT**

**LINEAR TECHNOLOGY CORPORATION**  
 1630 McCARTHY BLVD.  
 MILPITAS, CA. 95035  
 PHONE 408-432-1900  
 FAX 408-434-0507

Title			
Software-Selectable Multi-Protocol Transceiver			
Size	Document Number	Rev	
	DEMO 497A	LTC2846CG/LTC2844CG	
Date:	Thursday, March 07, 2002	Sheet	1 of 1