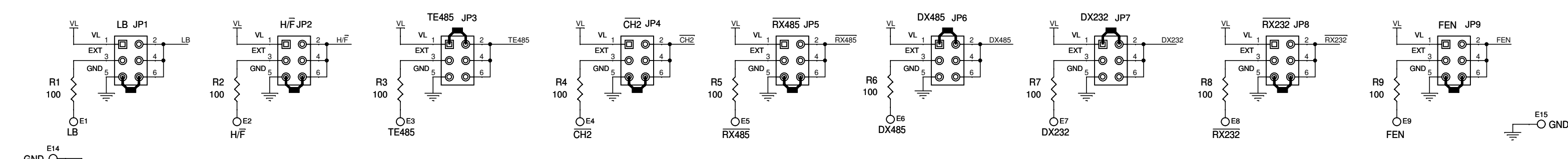
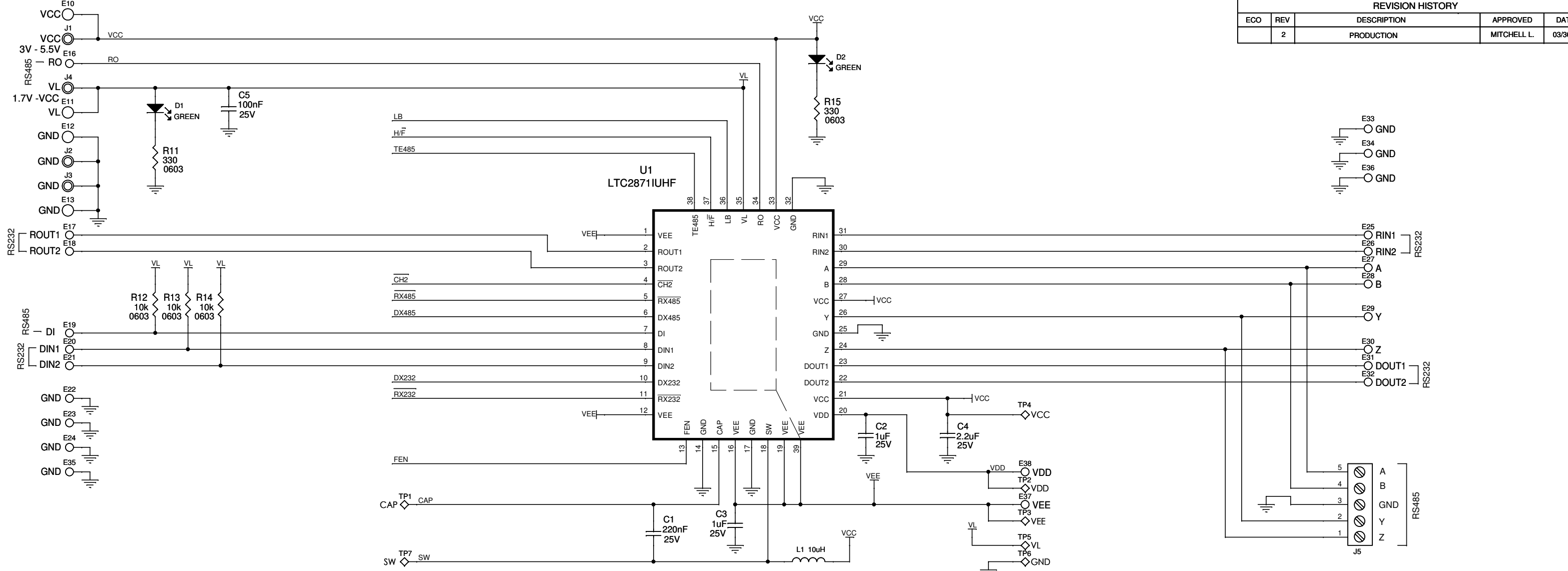


REVISION HISTORY				
ECO	REV	DESCRIPTION	APPROVED	DATE
	2	PRODUCTION	MITCHELL L.	03/30/11

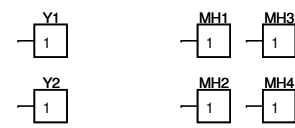


NOTES: UNLESS OTHERWISE SPECIFIED,  
1. ALL RESISTORS AND CAPACITOR ARE 1206.

REPRESENTS PROBE PADS.



USED TO MANUFACTURE PCB



TOOLING HOLES REPRESENTS STAND OFFS

<b>CUSTOMER NOTICE</b>		<b>CONTRACT NO.</b>	
LINEAR TECHNOLOGY HAS MADE A BEST EFFORT TO DESIGN A CIRCUIT THAT MEETS CUSTOMER-SUPPLIED SPECIFICATIONS; HOWEVER, IT REMAINS THE CUSTOMER'S RESPONSIBILITY TO VERIFY PROPER AND RELIABLE OPERATION IN THE ACTUAL APPLICATION. COMPONENT SUBSTITUTION AND PRINTED CIRCUIT BOARD LAYOUT MAY SIGNIFICANTLY AFFECT CIRCUIT PERFORMANCE OR RELIABILITY. CONTACT LINEAR TECHNOLOGY APPLICATIONS ENGINEERING FOR ASSISTANCE.		APPROVALS	
THIS CIRCUIT IS PROPRIETARY TO LINEAR TECHNOLOGY AND SUPPLIED FOR USE WITH LINEAR TECHNOLOGY PARTS.		PCB DES. MI	
		ENG. MITCHELL L.	
<b>LINEAR TECHNOLOGY</b>			
1630 McCarthy Blvd. Mipitas, CA 95035 Phone: (408)432-1900 Fax: (408)434-0507 LTC Confidential-For Customer Use Only			
<b>TITLE: SCHEMATIC</b>			
<b>RS232/RS485 MULTIPROTOCOL TRANSCEIVER WITH INTEGRATED TERMINATION</b>			
SIZE	IC NO.	REV	
B	LTC2871IUHF	2	
		<b>DEMO CIRCUIT 1786A</b>	
DATE: Wednesday, March 30, 2011		SHEET 1 OF 1	