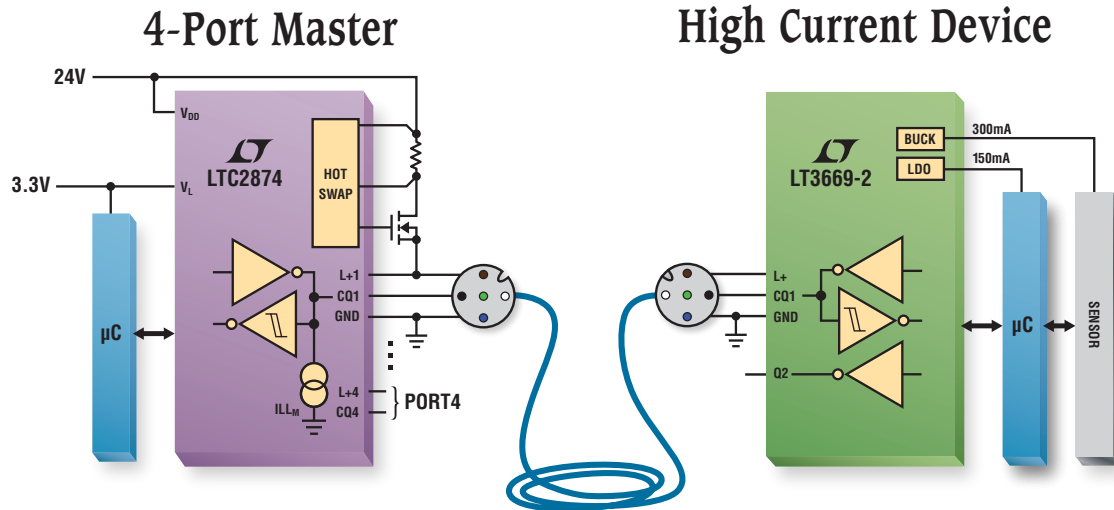


# End-to-End IO-Link Solutions



IO-Link™ defines standardized connectors, cables and protocol to simplify smart sensor/actuator communications. The LTC®2874 and LT®3669 interfaces guard against inrush currents, sparks, noise, and ESD events commonly found in harsh industrial environments where IO-Link systems reside. The LTC2874 quad master integrates a Hot Swap™ controller on each port, reducing board space, design complexity and costs while increasing reliability for multiport masters. The LT3669 integrates line drivers, a 100mA buck regulator (300mA for LT3669-2) and a 150mA LDO to provide all the power required for the internal electronics in a sensor or actuator.

## ▼ LTC2874 Features

- IO-Link PHY Compatible (COM1/COM2/COM3)
- Hot Swap Protected Supply Outputs
- 8V to 34V Operation
- Configurable CQ Drive Capability
- Automatic Wake-Up Pulse Generation (WURQ)
- Cable Interface Protected to  $\pm 50V$  (CQ), 50V (L+)
- Configurable L+ Current Limit with Foldback
- 4-Wire SPI-Compatible Serial Interface
- 2.9V to 5.5V Logic Supply
- $\pm 8kV$  HBM ESD
- 38-Lead (5mm x 7mm) QFN and TSSOP Packages

## ▼ LT3669 Features

- IO-Link PHY Compatible (COM1/COM2/COM3)
- Cable Interface Protected to  $\pm 60V$
- 7.5V to 40V Operation
- Integrated 100mA/300mA(-2) Step-Down Switching Regulator and 150mA LDO Linear Regulator
- Rugged Line Drivers with Adjustable Slew Rate and Current Limit
- Adaptive Line Driver Pulsing Scheme to Switch Heavy Loads Safely
- Drivers Configurable as Push-Pull, Pull-Up or Pull-Down
- WURQ Pulse Detection
- Adjustable Power-On Reset Timer

## ▼ Info & Free Samples

[www.linear.com/product/LTC2874](http://www.linear.com/product/LTC2874)  
[www.linear.com/product/LT3669](http://www.linear.com/product/LT3669)  
 1-800-4-LINEAR

## 8-Port IO-Link Master Reference Design (DC2228)



LT, LT, LTC, LTM, Linear Technology and the Linear logo are registered trademarks and Hot Swap is a trademark of Linear Technology Corporation. IO-Link is a registered trademark of PROFIBUS User Organization (PNO). All other trademarks are the property of their respective owners.