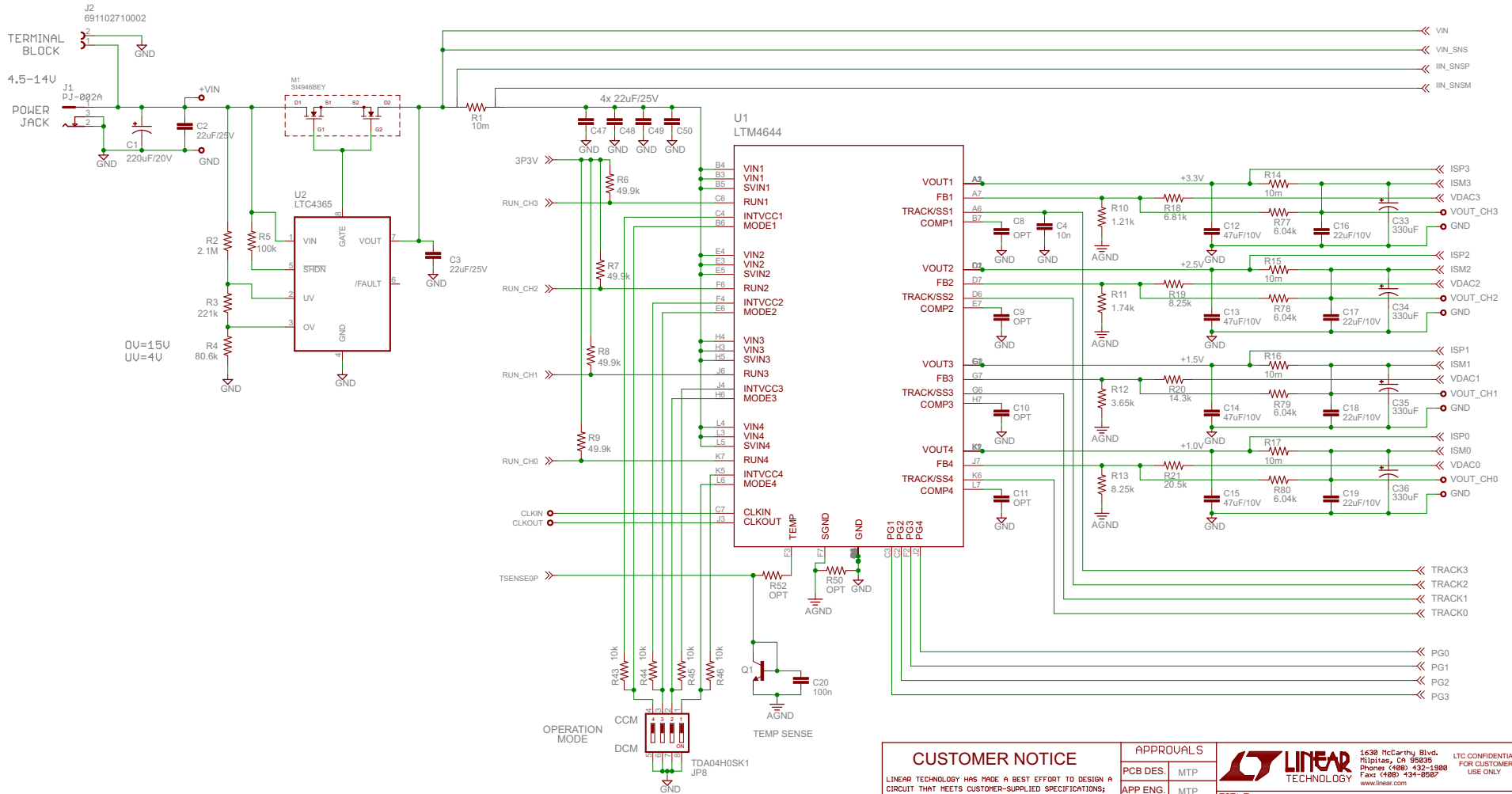


REVISION HISTORY				
ECO	REV	DESCRIPTION	APPROVED	DATE
-	1a	Production	M.Peters	06-12-15

Input Protection (OV/UV/Reverse)

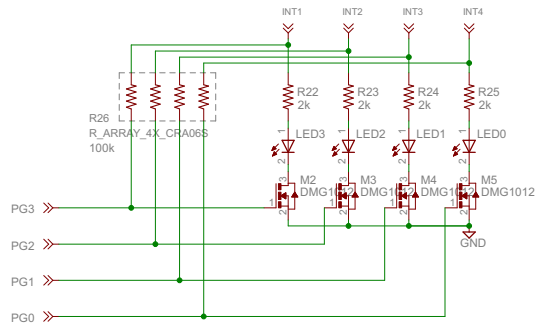
Quad 4A DC/DC Converter



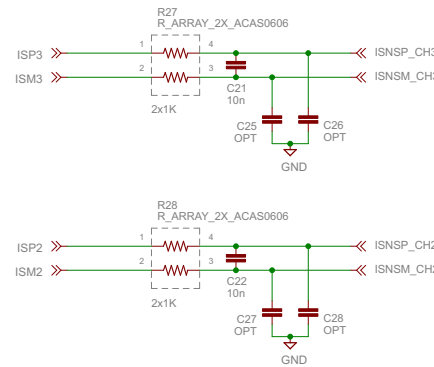
CUSTOMER NOTICE		APPROVALS			1530 McCarthy Blvd. Milpitas, CA 95035 Phone: (408) 432-1980 Fax: (408) 434-9927 www.linear.com	LTC CONFIDENTIAL FOR CUSTOMER USE ONLY
LINEAR TECHNOLOGY HAS MADE A BEST EFFORT TO DESIGN A CIRCUIT THAT MEETS CUSTOMER-SUPPLIED SPECIFICATIONS; HOWEVER, IT REMAINS THE CUSTOMER'S RESPONSIBILITY TO VERIFY PROPER AND RELIABLE OPERATION IN THE ACTUAL APPLICATION. COMPONENT SUBSTITUTION AND PRINTED CIRCUIT BOARD LAYOUT MAY SIGNIFICANTLY AFFECT CIRCUIT PERFORMANCE OR RELIABILITY. CONTACT LINEAR TECHNOLOGY APPLICATIONS ENGINEERING FOR ASSISTANCE.		PCB DES.	MTP			
THIS CIRCUIT IS PROPRIETARY TO LINEAR TECHNOLOGY AND SUPPLIED FOR USE WITH LINEAR TECHNOLOGY PARTS		APP ENG.	MTP	SIZE B	IC NO. LTM4644 Demo Circuit 2363A	REV: 1a
		SCALE = NONE		DATE: 7/2/2015 2:57:19 PM		SHEET: 1/3

REVISION HISTORY				
ECO	REV	DESCRIPTION	APPROVED	DATE
-	1a	Production	M.Peters	05-12-15

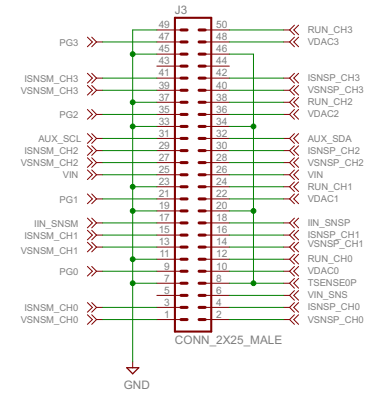
LED Indication



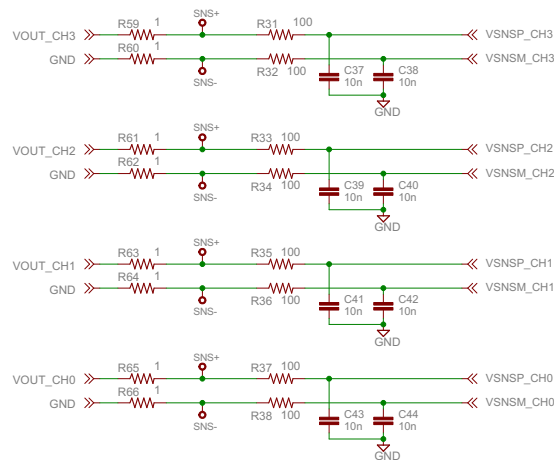
Current Sense Filtering



Board-to-Board Connector

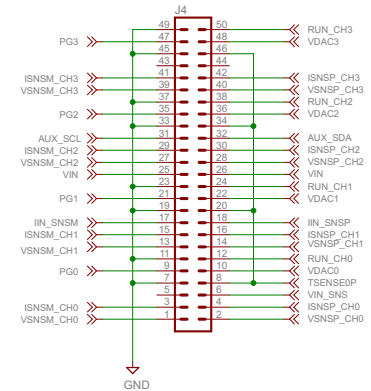


Voltage Sense Filtering



NOTE: REMOVE R59-R66 FOR REMOTE SENSING

Test Points/ Optional Header



CUSTOMER NOTICE

LINEAR TECHNOLOGY HAS MADE A BEST EFFORT TO DESIGN A CIRCUIT THAT MEETS CUSTOMER-SUPPLIED SPECIFICATIONS; HOWEVER, IT REMAINS THE CUSTOMER'S RESPONSIBILITY TO VERIFY PROPER AND RELIABLE OPERATION IN THE ACTUAL APPLICATION. COMPONENT SUBSTITUTION AND PRINTED CIRCUIT BOARD LAYOUT MAY SIGNIFICANTLY AFFECT CIRCUIT PERFORMANCE OR RELIABILITY. CONTACT LINEAR TECHNOLOGY APPLICATIONS ENGINEERING FOR ASSISTANCE.

THIS CIRCUIT IS PROPRIETARY TO LINEAR TECHNOLOGY AND SUPPLIED FOR USE WITH LINEAR TECHNOLOGY PARTS

APPROVALS

PCB DES. MTP

APP ENG. MTP



1330 McCarty Blvd.
Milpitas, CA 95035
Phone: (408) 432-1980
Fax: (408) 434-9927
www.linear.com

LTC CONFIDENTIAL
FOR CUSTOMER
USE ONLY

TITLE: LTM4644 Quad 4A Supply
with 50-pin Connector to Power System Manager

SIZE B IC NO. LTM4644 REV: 1a
Demo Circuit 2363A

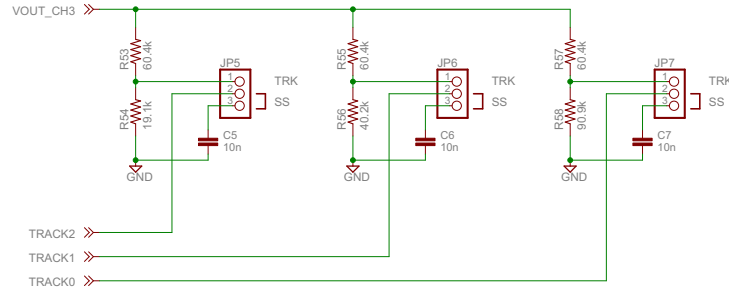
SCALE = NONE

DATE: 7/2/2015 2:57:19 PM

SHEET: 2/3

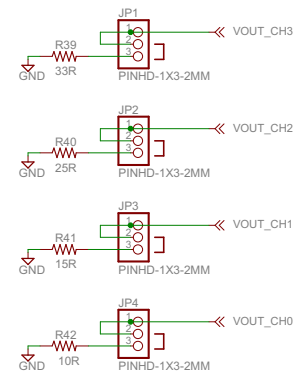
REVISION HISTORY				
ECO	REV	DESCRIPTION	APPROVED	DATE
-	1a	Production	M.Peters	05-12-15

Tracking/SoftStart Jumpers



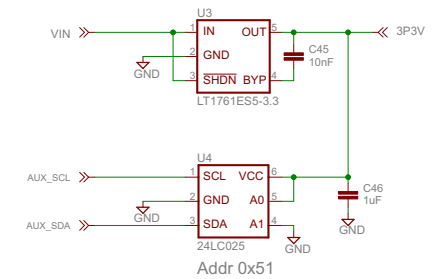
By default, jumpers set to SoftStart

Pre-Load Jumpers

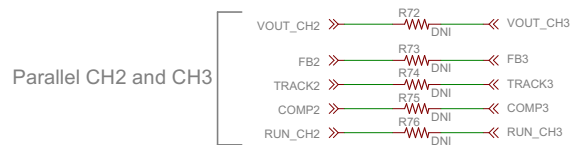
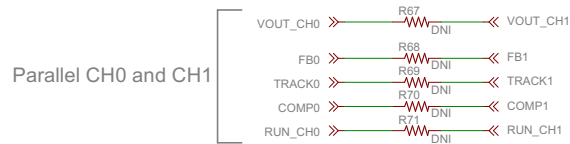


By default, jumpers set to pre-load ON

+3.3V LDO and Identity EEPROM



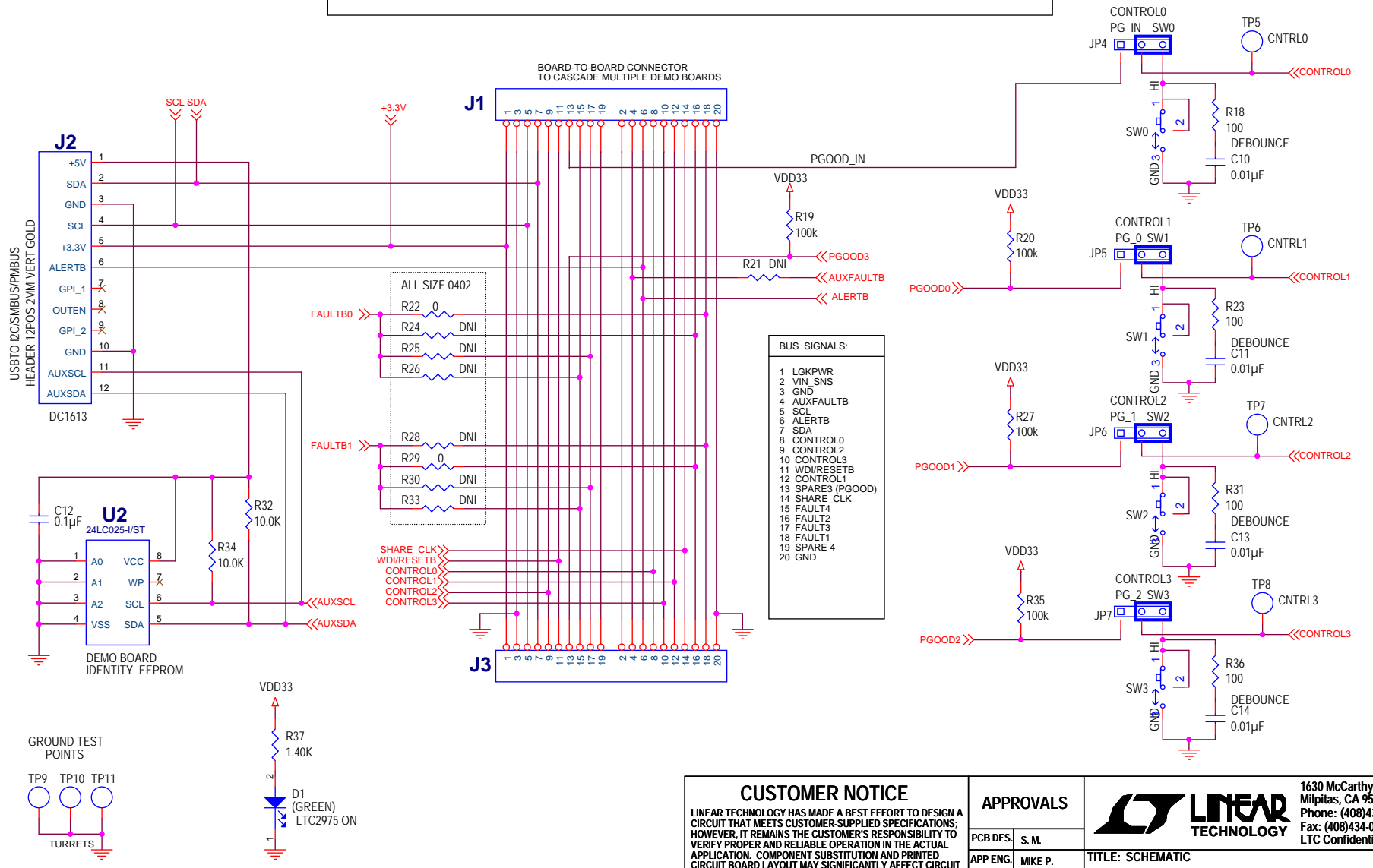
Optional Jumpers for Parallel Operation



R67 thru R76 are 0 ohm

APPROVALS			<small>1538 McCarthy Blvd. Milpitas, CA 95035 Phone (408) 432-1980 Fax (408) 434-9557 www.linear.com</small>		<small>LTC CONFIDENTIAL FOR CUSTOMER USE ONLY</small>
PCB DES.	MTP		TITLE: LTM4644 Quad 4A Supply with 50-pin Connector to Power System Manager		
APP ENG.	MTP	SIZE B IC NO. LTM4644 REV: 1a Demo Circuit 2363A			
<small>THIS CIRCUIT IS PROPRIETARY TO LINEAR TECHNOLOGY AND SUPPLIED FOR USE WITH LINEAR TECHNOLOGY PARTS</small>		SCALE = NONE	DATE: 7/2/2015 2:57:19 PM	SHEET: 3/3	

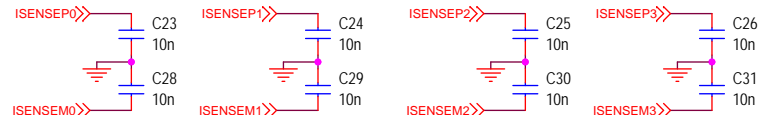
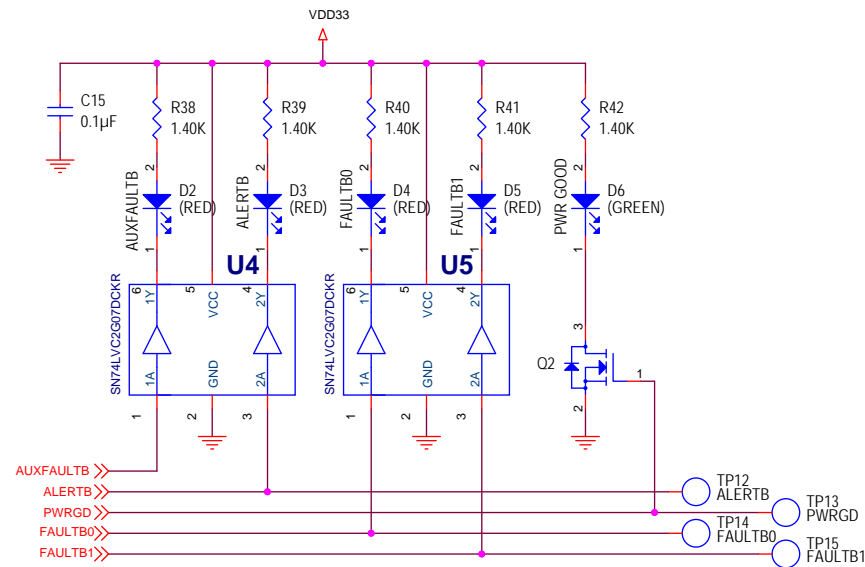
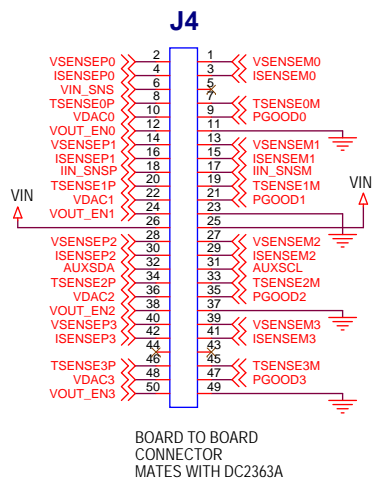
ALL PARTS ON THIS PAGE ARE FOR DEMO ONLY, NOT NEEDED IN CUSTOMER DESIGN




BUS SIGNALS:

- 1 LCKPWR
- 2 VIN_SNS
- 3 GND
- 4 AUXFAULTB
- 5 SCL
- 6 ALERTB
- 7 SDA
- 8 CONTROL0
- 9 CONTROL2
- 10 CONTROL3
- 11 WDI/RESETB
- 12 CONTROL1
- 13 SPARE3 (PGOOD)
- 14 SHARE_CLK
- 15 FAULT4
- 16 FAULT2
- 17 FAULT3
- 18 FAULT1
- 19 SPARE 4
- 20 GND

<p>CUSTOMER NOTICE</p> <p>LINEAR TECHNOLOGY HAS MADE A BEST EFFORT TO DESIGN A CIRCUIT THAT MEETS CUSTOMER-SUPPLIED SPECIFICATIONS; HOWEVER, IT REMAINS THE CUSTOMER'S RESPONSIBILITY TO VERIFY PROPER AND RELIABLE OPERATION IN THE ACTUAL APPLICATION. COMPONENT SUBSTITUTION AND PRINTED CIRCUIT BOARD LAYOUT MAY SIGNIFICANTLY AFFECT CIRCUIT PERFORMANCE OR RELIABILITY. CONTACT LINEAR TECHNOLOGY APPLICATIONS ENGINEERING FOR ASSISTANCE.</p>		<p>APPROVALS</p>		<p>1630 McCarthy Blvd. Milpitas, CA 95035 Phone: (408)432-1900 www.linear.com Fax: (408)434-0507 LTC Confidential-For Customer Use Only</p>	
		PCB DES:	S. M.		
<p>THIS CIRCUIT IS PROPRIETARY TO LINEAR TECHNOLOGY AND SUPPLIED FOR USE WITH LINEAR TECHNOLOGY PARTS.</p>		APP ENG:	MIKE P.	<p>4-CHANNEL PMBUS POWER SYSTEM MANAGER</p>	
<p>SCALE = NONE</p>		DATE:	Monday, June 22, 2015	SIZE:	N/A
		IC NO.:	LTC2975IUP	REV.:	1
				<p>DEMO CIRCUIT 2382A</p>	
				<p>SHEET 2 OF 3</p>	



INPUT FILTERS FOR CURRENT SENSING
PLACE CLOSE TO LTC2975

CUSTOMER NOTICE		APPROVALS		 1630 McCarthy Blvd. Milpitas, CA 95035 Phone: (408)432-1900 www.linear.com Fax: (408)434-0507 LTC Confidential-For Customer Use Only	
LINEAR TECHNOLOGY HAS MADE A BEST EFFORT TO DESIGN A CIRCUIT THAT MEETS CUSTOMER-SUPPLIED SPECIFICATIONS; HOWEVER, IT REMAINS THE CUSTOMER'S RESPONSIBILITY TO VERIFY PROPER AND RELIABLE OPERATION IN THE ACTUAL APPLICATION. COMPONENT SUBSTITUTION AND PRINTED CIRCUIT BOARD LAYOUT MAY SIGNIFICANTLY AFFECT CIRCUIT PERFORMANCE OR RELIABILITY. CONTACT LINEAR TECHNOLOGY APPLICATIONS ENGINEERING FOR ASSISTANCE.		PCB DES:	S. M.	TITLE: SCHEMATIC 4-CHANNEL PMBUS POWER SYSTEM MANAGER	
		APP ENG:	MIKE P.		
		THIS CIRCUIT IS PROPRIETARY TO LINEAR TECHNOLOGY AND SUPPLIED FOR USE WITH LINEAR TECHNOLOGY PARTS.		SCALE = NONE	SIZE N/A IC NO. LTC2975IUP DEMO CIRCUIT 2382A
DATE: Monday, June 22, 2015			SHEET 3 OF 3		