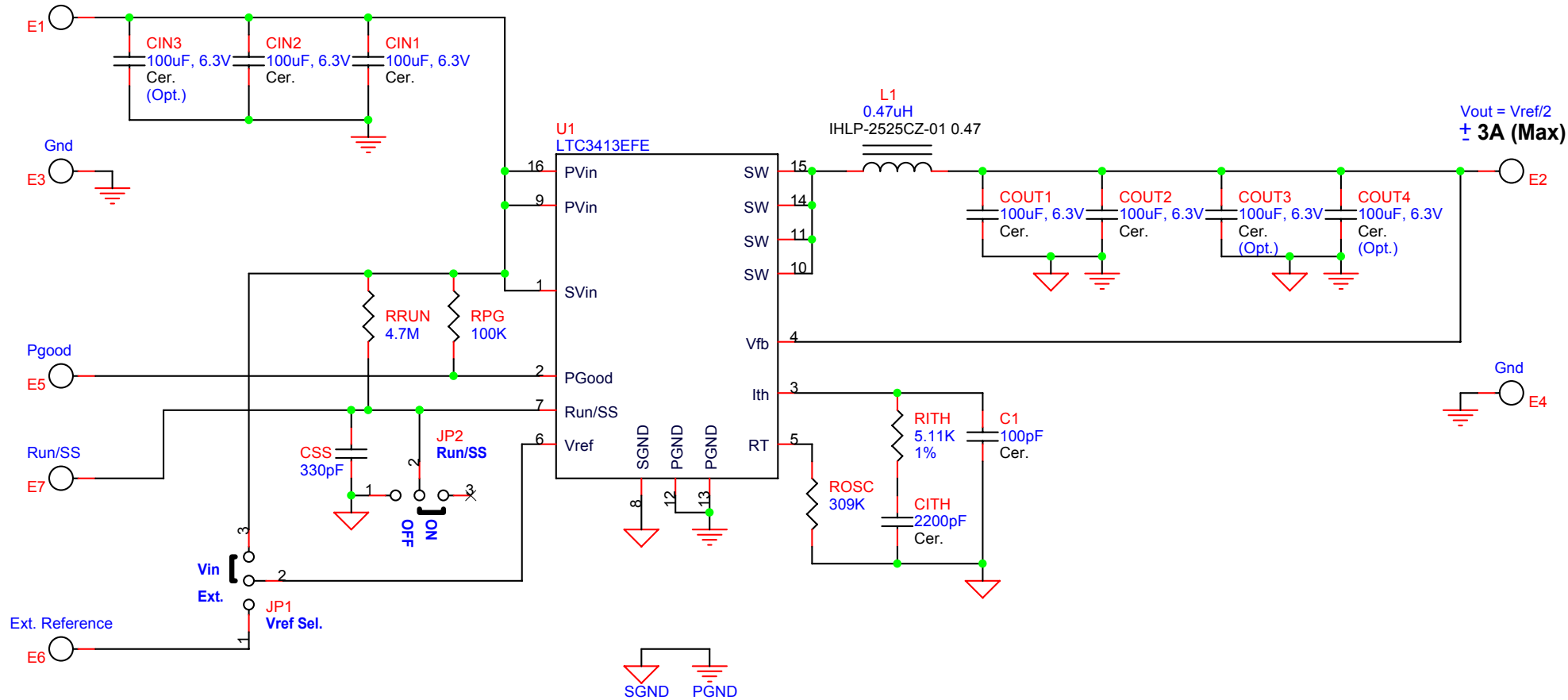


Vin  
2.25V - 5.5V



NOTES: UNLESS OTHERWISE SPECIFIED

**LINEAR TECHNOLOGY CORPORATION**  
 1630 McCARTHY BLVD.  
 MILPITAS, CA. 95035  
 408-432-1900  
 408-434-0507 FAX

Title		
± 3A Monolithic DDR Memory Termination Supply		
Size	Document Number	Rev
	DEMO 492A	LTC3413EFE
Date:	Thursday, May 23, 2002	Sheet 1 of 1