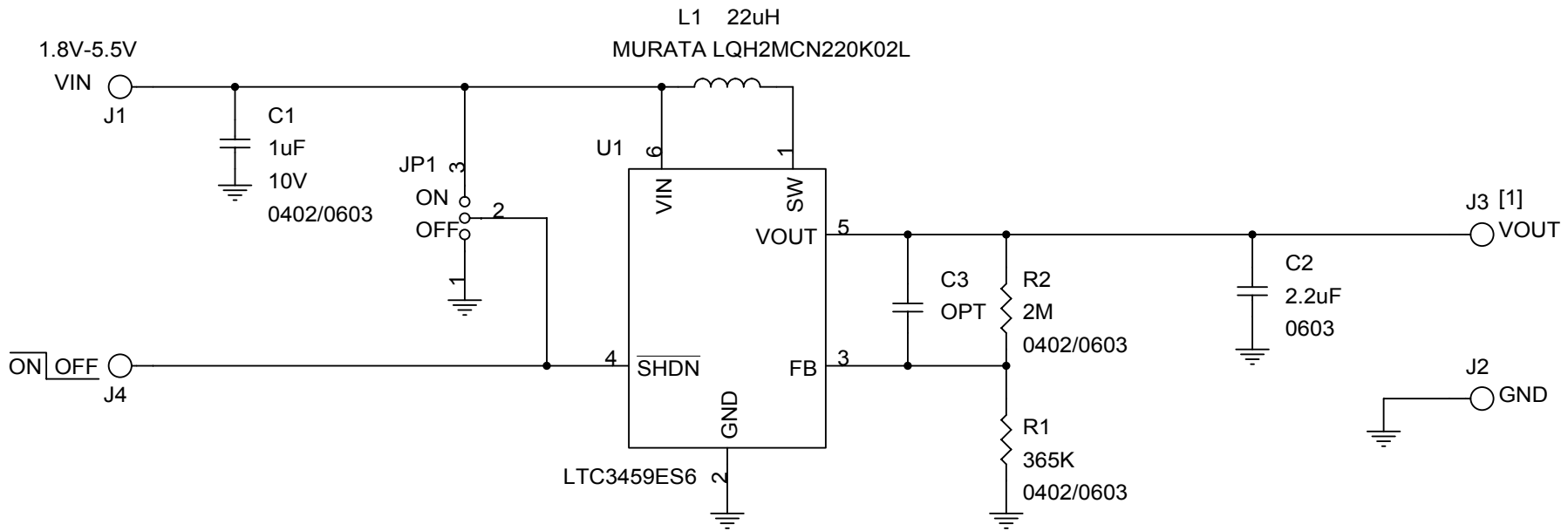



This circuit is proprietary to Linear Technology and supplied for use with Linear Technology parts.
Customer Notice Linear Technology has made a best effort to design a circuit that meets customer-supplied specifications; however, it remains the customers responsibility to verify proper and reliable operation in the actual application, Component substitution and printed circuit board layout may significantly affect circuit performance or reliability. Contact Linear Applications Engineering for assistance.

REVISION HISTORY				
ECO	REV	DESCRIPTION	DATE	APPROVED
	2	PROTO	02/05/04	



[1]

VIN	VOUT
1.8V	8V @ 2mA
3.6V	8V @ 20mA
5.5V	8V @ 40mA

CONTRACT NO.		 LINEAR TECHNOLOGY 1630 McCarthy Blvd. Milpitas, CA 95035 Phone: (408)432-1900 Fax: (408)434-0507			
APPROVALS	DATE				
DRAWN MEI	08/01/03	TITLE SCH, LTC3459ES6 BOOST CONVERTER			
CHECKED		SIZE	CAGE CODE	DWG NO DC703A	REV 2
APPROVED		SCALE:		FILENAME: 703A-2.DSN	SHEET 1 OF 1
ENGINEER		Tuesday, August 24, 2004			
DESIGNER					