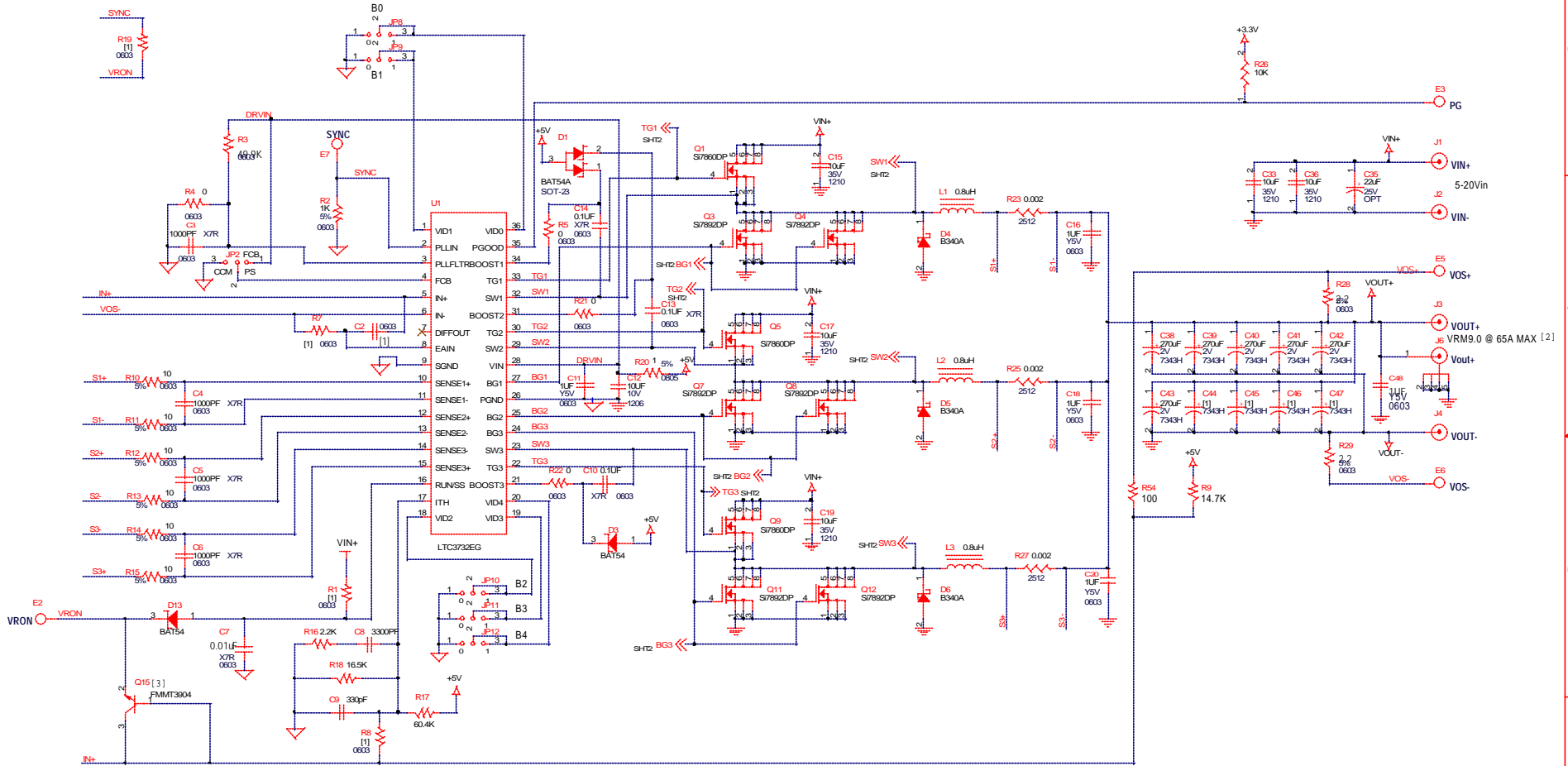


REVISION HISTORY				
ECO	REV	DESCRIPTION	DATE	APPROVED
0	6	PROTO	12/20/02	<

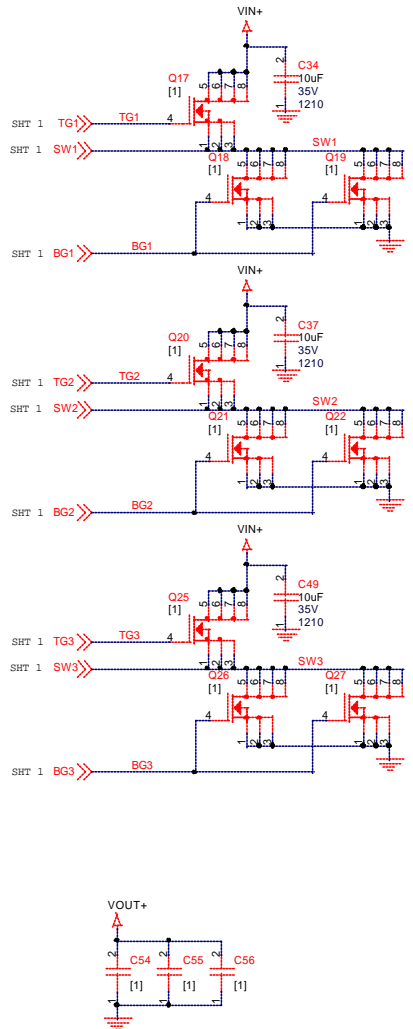


NOTES: UNLESS OTHERWISE SPECIFIED,

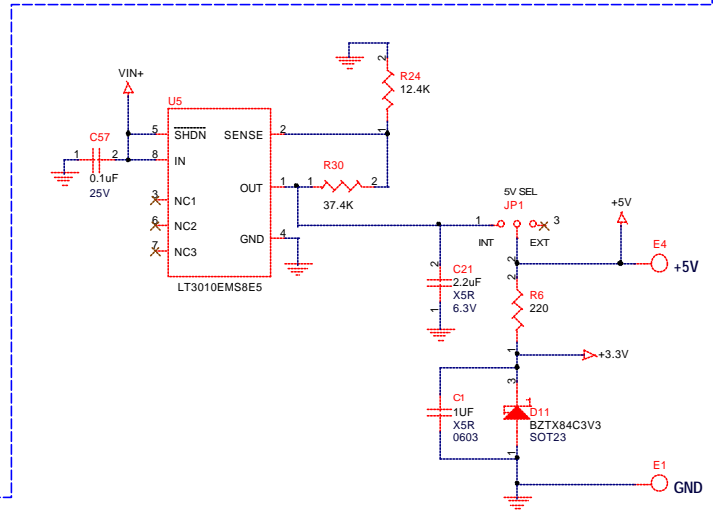
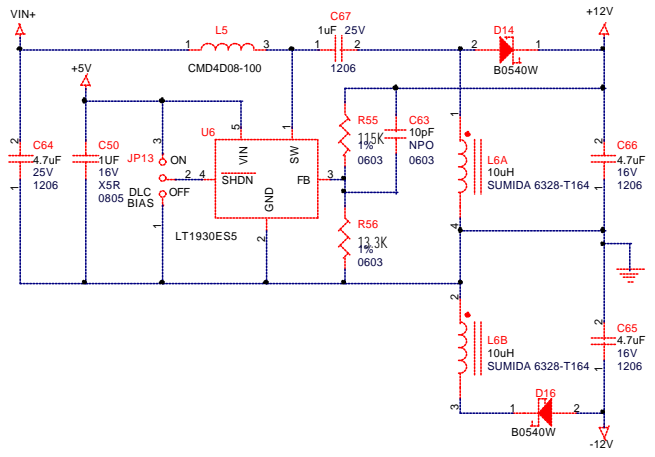
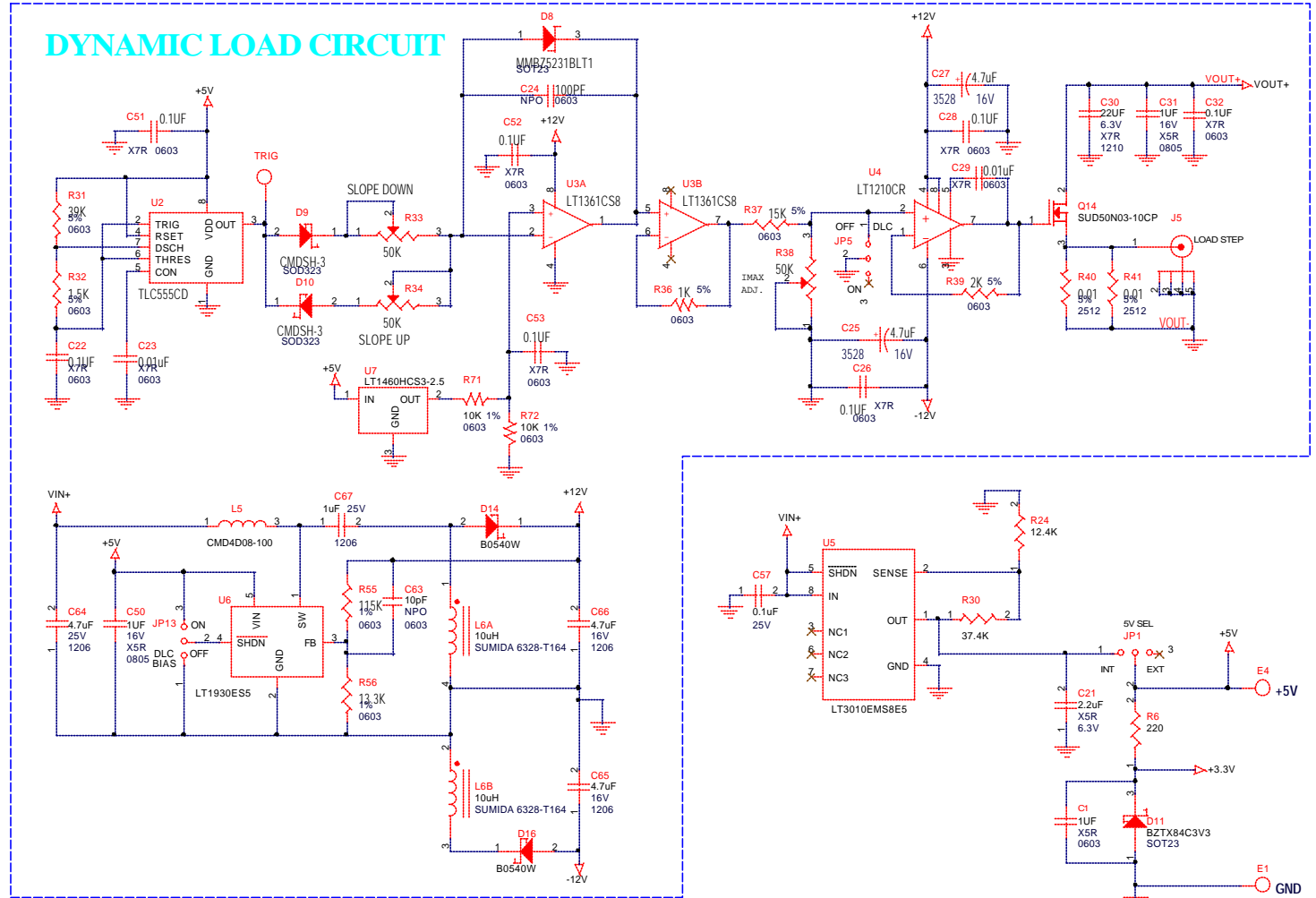
- [1] OPTIONAL. DNP = DO NOT POPULATE.
- [2] CONTACT FACTORY FOR UPGRADE TO VM9.1.
- [3] Q15 IS NOT NEEDED IF +5V TURNS ON AFTER VIN.

UNLESS OTHERWISE SPECIFIED DIMENSIONS ARE IN INCHES TOLERANCE ON ANGLE --- 2 PLACES --- 3 PLACES --- INTERPRET DIM AND TOL PER ASME Y14.5M-1994 THIRD ANGLE PROJECTION	CONTRACT NO.		1630 McCarthy Blvd Milpitas, CA 95035 Phone: (408) 433-4000 Fax: (408) 433-0059
	APPROVALS	DATE	
	DRAWN/ENGR	03-12-02	
	CHECKED	TITLE	
APPROVED	SCH, LTC3732EG 3 PHASE, CPU CORE POWER SUPPLY		SIZE CAGE CODE DWG NO <Cage Code> DC440A
ENGINEER	REV		
DESIGNER	6		
DO NOT SCALE DRAWING	Friday, December 20, 2002	SCALE xScale	FILENAME 440A-6.SCH SHEET 1 OF 2

REVISION HISTORY				
ECO	REV	DESCRIPTION	DATE	APPROVED
	6	PROTO	12/20/02	



## DYNAMIC LOAD CIRCUIT



Note:  
[1] OPTIONAL, DNP.

UNLESS OTHERWISE SPECIFIED DIMENSIONS ARE IN INCHES TOLERANCE ON ANGLE - - - 2 PLACES - - - 3 PLACES - - - INTERPRET DIM AND TOL PER ASME Y14.5M -1994		CONTRACT NO.		 1630 McCarthy Blvd. Milpitas, CA 95035 Phone: (408)432-1900 Fax: (408)434-0507					
THIRD ANGLE PROJECTION		APPROVALS	DATE						
		DRAWN MEI	09-12-02	TITLE					
		CHECKED		SCH, LTC3732EG, 3 PHASE, CPU CORE POWER SUPPLY					
		APPROVED		SIZE	CAGE CODE	DWG NO	REV		
DO NOT SCALE DRAWING		DESIGNER			DC440A	6			
Friday, December 20, 2002		SCALE NONE		FILENAME	440A-6.DSN	SHEET	2	OF	2