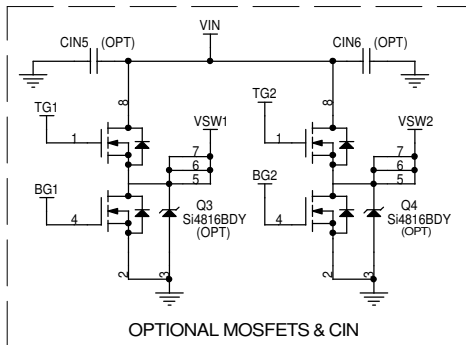


LTC CONFIDENTIAL - FOR CUSTOMER USE ONLY

**Customer Notice**

Linear Technology Has Made A Best Effort To Design A Circuit That Meets Customer-Supplied Specifications; However, It Remains The Customer's Responsibility To Verify Proper And Reliable Operation In The Actual Application. Component Substitution And Printed Circuit Board Layout May Significantly Affect Circuit Performance Or Reliability. Contact Linear Technology Applications Engineering For Assistance. This Circuit Is Proprietary To Linear Technology And Supplied For Use With Linear Technology Parts.



OPTIONAL MOSFETS & CIN

Stuff R41 with 0 Ohms for 4.5V < Vin < 5.5V

**PHASE1**

**PHASE2**

U1	DESC	RSNS1	R11	R14	C7	J1	R6	R13	R17	RSNS2	R29	R26	C15	J2	R23	R22	R27
A	RSENSE	0.008 Ohm	10 Ohm	10 Ohm	1nF	(OPT)	(OPT)	(OPT)	(OPT)	0.008 Ohm	10 Ohm	10 Ohm	1nF	(OPT)	(OPT)	(OPT)	(OPT)
B	DCR SENSE	(OPT)	(OPT)	(OPT)	0.1uF	SHORT	3.01K	20.0k	0 Ohm	(OPT)	(OPT)	(OPT)	0.1uF	SHORT	3.01K	0 Ohm	20.0k

**LINEAR TECHNOLOGY CORPORATION**

1630 McCARTHY BLVD.  
MILPITAS, CA. 95035  
408-432-1900  
408-434-0507 FAX

Title: Dual Output, Dual Phase 5A Synchronous Buck Converter

Size: Document Number: Demo Circuit 1231A-A/B LTC3850EGN Rev

Date: Thursday, December 13, 2007 Sheet: 1 of 1