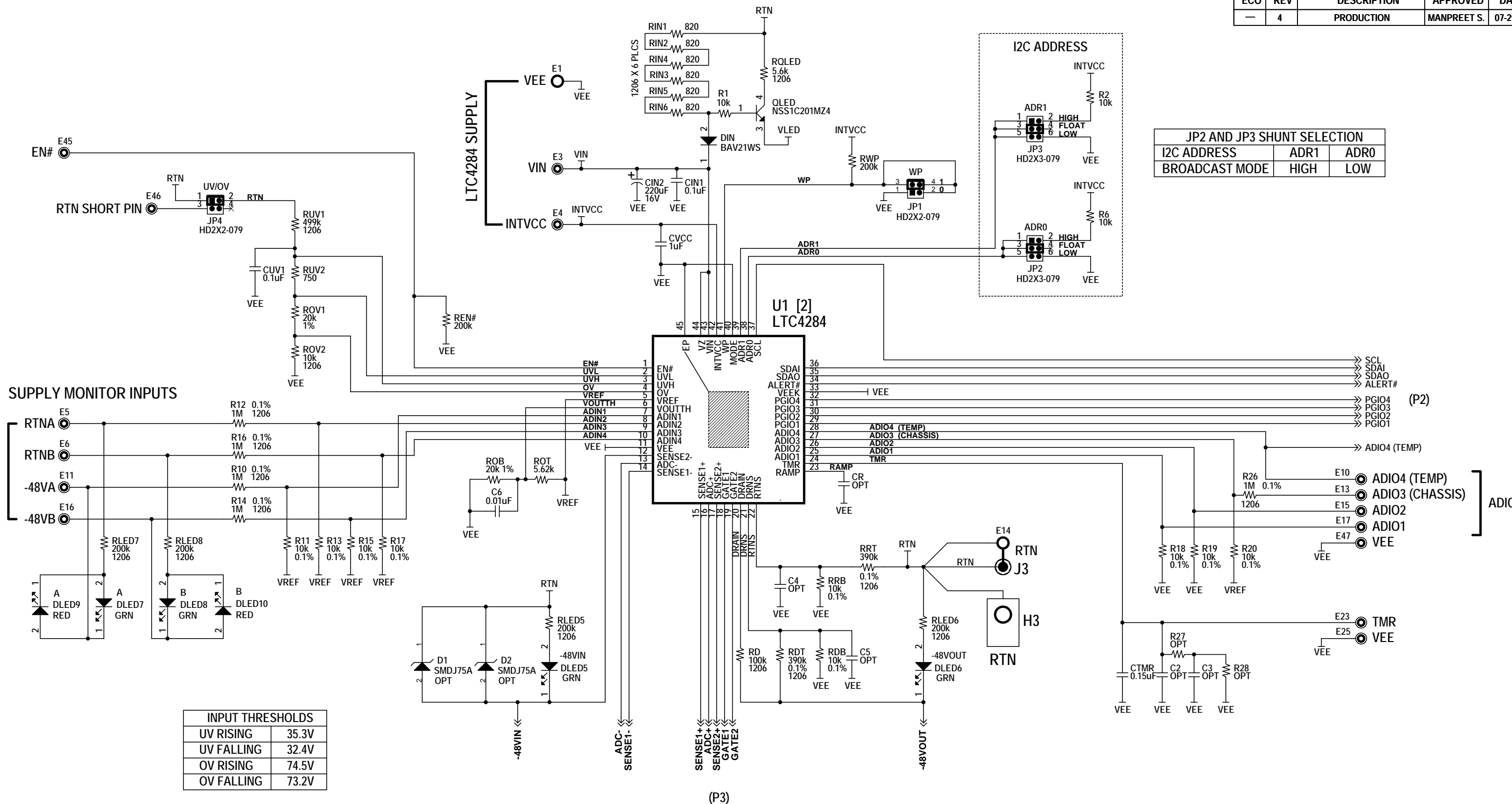


REVISION HISTORY				
ECO	REV	DESCRIPTION	APPROVED	DATE
-	4	PRODUCTION	MANPREET S.	07-29-19



INPUT THRESHOLDS	
UV RISING	35.3V
UV FALLING	32.4V
OV RISING	74.5V
OV FALLING	73.2V

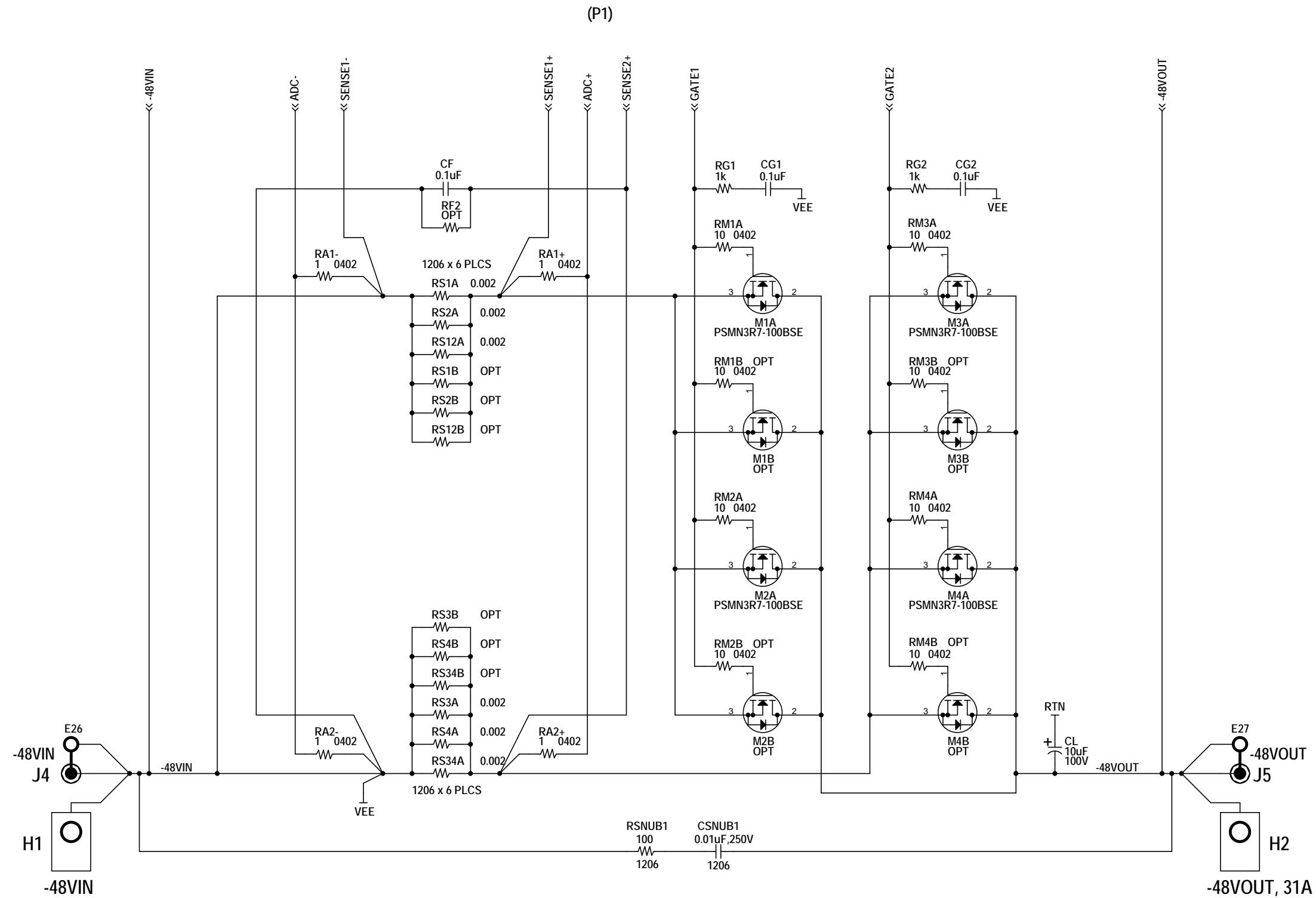
NOTE: UNLESS OTHERWISE SPECIFIED
 1. ALL RESISTORS AND CAPACITORS ARE 0603.

[2].	U1	
ILIM	0010	17mV
FB	11	10%
FTBD_DL	01	512ms

CUSTOMER NOTICE
 ADI HAS MADE A BEST EFFORT TO DESIGN A CIRCUIT THAT MEETS CUSTOMER-SUPPLIED SPECIFICATIONS; HOWEVER, IT REMAINS THE CUSTOMER'S RESPONSIBILITY TO VERIFY PROPER AND RELIABLE OPERATION IN THE ACTUAL APPLICATION. COMPONENT SUBSTITUTION AND PRINTED CIRCUIT BOARD LAYOUT MAY SIGNIFICANTLY AFFECT CIRCUIT PERFORMANCE OR RELIABILITY. CONTACT ADI APPLICATIONS ENGINEERING FOR ASSISTANCE.

THIS CIRCUIT IS PROPRIETARY TO ADI AND SUPPLIED FOR USE WITH ADI PARTS.

APPROVALS		ANALOG DEVICES		POWER BY LINEAR		2555 AUGUSTINE DRIVE SANTA CLARA, CA 95054 www.analog.com	
PCB DES.	KIM T.						
APP ENG.	MANPREET S.						
TITLE: SCHEMATIC HIGH POWER PARALLEL MODE -48V HOT SWAP CONTROLLER WITH TELEMETRY AND EEPROM				SIZE N/A		IC NO. LTC4284IUHG	
				REV. 4			
SCALE = NONE				DATE: Monday, July 29, 2019		SHEET 1 OF 3	



CUSTOMER NOTICE

ADI HAS MADE A BEST EFFORT TO DESIGN A CIRCUIT THAT MEETS CUSTOMER-SUPPLIED SPECIFICATIONS; HOWEVER, IT REMAINS THE CUSTOMER'S RESPONSIBILITY TO VERIFY PROPER AND RELIABLE OPERATION IN THE ACTUAL APPLICATION. COMPONENT SUBSTITUTION AND PRINTED CIRCUIT BOARD LAYOUT MAY SIGNIFICANTLY AFFECT CIRCUIT PERFORMANCE OR RELIABILITY. CONTACT ADI APPLICATIONS ENGINEERING FOR ASSISTANCE.

THIS CIRCUIT IS PROPRIETARY TO ADI AND SUPPLIED FOR USE WITH ADI PARTS.

APPROVALS

PCB DES. KIM T.

APP ENG. MANPREET S.

SCALE = NONE



TITLE: SCHEMATIC
HIGH POWER PARALLEL MODE -48V HOT SWAP CONTROLLER WITH TELEMETRY AND EEPROM

SIZE N/A IC NO. LTC4284IUHG REV. 4
DEMO CIRCUIT 2909A

DATE: Monday, July 29, 2019 SHEET 3 OF 3