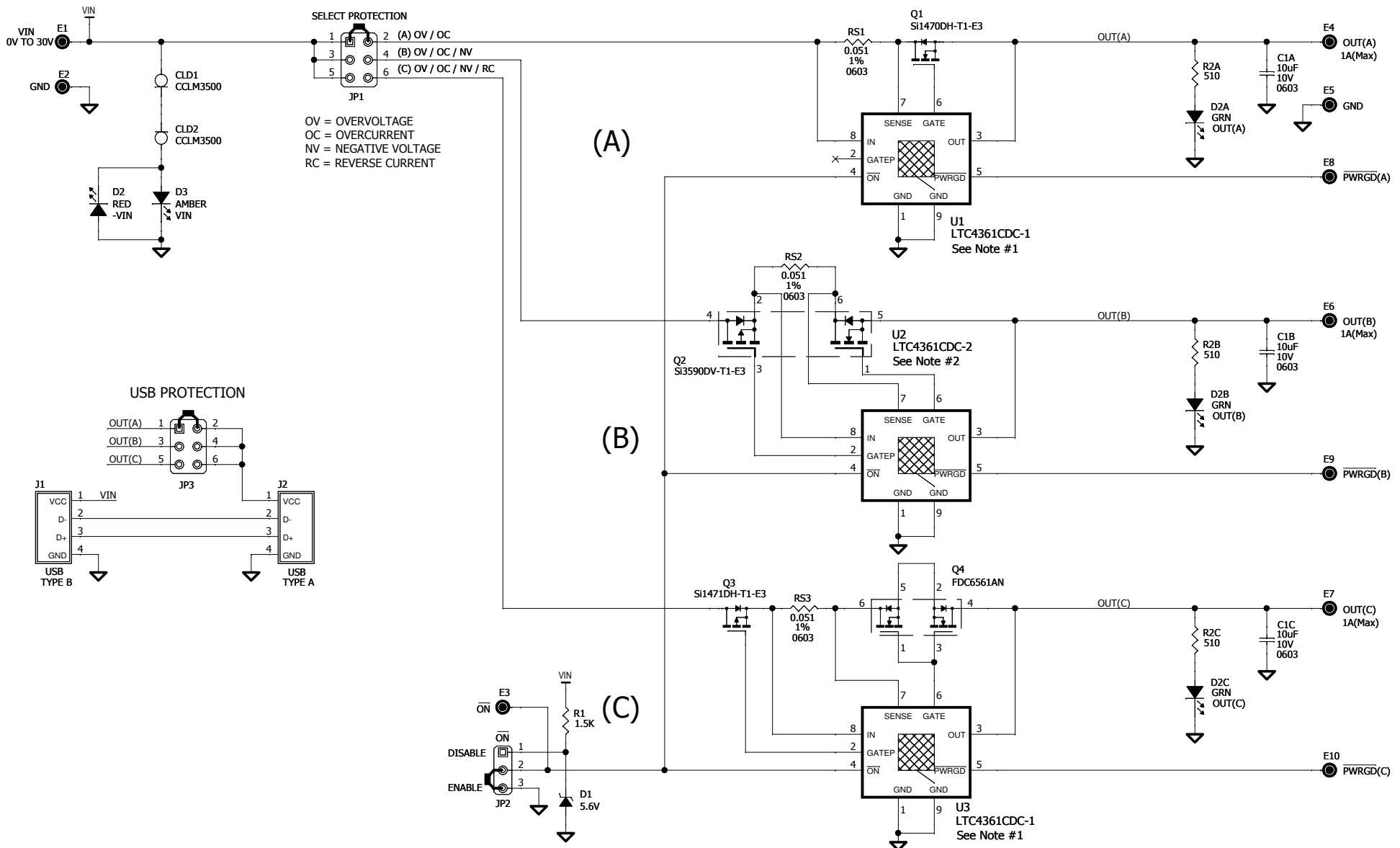


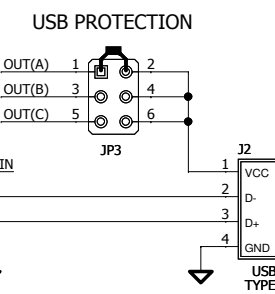
REVISION HISTORY				
ECO	REV	DESCRIPTION	APPROVED	DATE
-	2	PRODUCTION	Dilian R.	04/30/10



SELECT PROTECTION

1 2 (A) OV / OC  
 3 4 (B) OV / OC / NV  
 5 6 (C) OV / OC / NV / RC

OV = OVERVOLTAGE  
 OC = OVERCURRENT  
 NV = NEGATIVE VOLTAGE  
 RC = REVERSE CURRENT



NOTES: UNLESS OTHERWISE SPECIFIED

- LTC4361CDC-1 HAS LATCH - OFF AFTER OVERCURRENT.
- LTC4361CDC-2 HAS AUTORETRY AFTER OVERCURRENT.
- ALL RESISTORS ARE IN OHMS, 0603.  
ALL CAPACITORS ARE IN MICROFARADS, 0603.
- INSTALL SHUNTS AS SHOWN.

<p><b>CUSTOMER NOTICE</b></p> <p>LINEAR TECHNOLOGY HAS MADE A BEST EFFORT TO DESIGN A CIRCUIT THAT MEETS CUSTOMER-SUPPLIED SPECIFICATIONS; HOWEVER, IT REMAINS THE CUSTOMER'S RESPONSIBILITY TO VERIFY PROPER AND RELIABLE OPERATION IN THE ACTUAL APPLICATION. COMPONENT SUBSTITUTION AND PRINTED CIRCUIT BOARD LAYOUT MAY SIGNIFICANTLY AFFECT CIRCUIT PERFORMANCE OR RELIABILITY. CONTACT LINEAR TECHNOLOGY APPLICATIONS ENGINEERING FOR ASSISTANCE.</p> <p>C:\PADS PROJECTS\1506A\SCH\1506A_REV2.DSN</p> <p>THIS CIRCUIT IS PROPRIETARY TO LINEAR TECHNOLOGY AND SUPPLIED FOR USE WITH LINEAR TECHNOLOGY PARTS.</p>		<p>APPROVALS</p>		<p>1630 McCarthy Blvd.          Milpitas, CA 95035 www.linear.com          Phone: (408)432-1900          Fax: (408)434-0507          LTC CONFIDENTIAL - FOR CUSTOMER USE ONLY</p>
		<p>PCB DES. RJB</p> <p>APP ENG. Dilian R.</p>	<p>DATE: Monday, May 24, 2010</p>	
<p>SCALE = NONE</p>		<p>DATE: Monday, May 24, 2010</p>		<p>SHEET 1 OF 1</p>