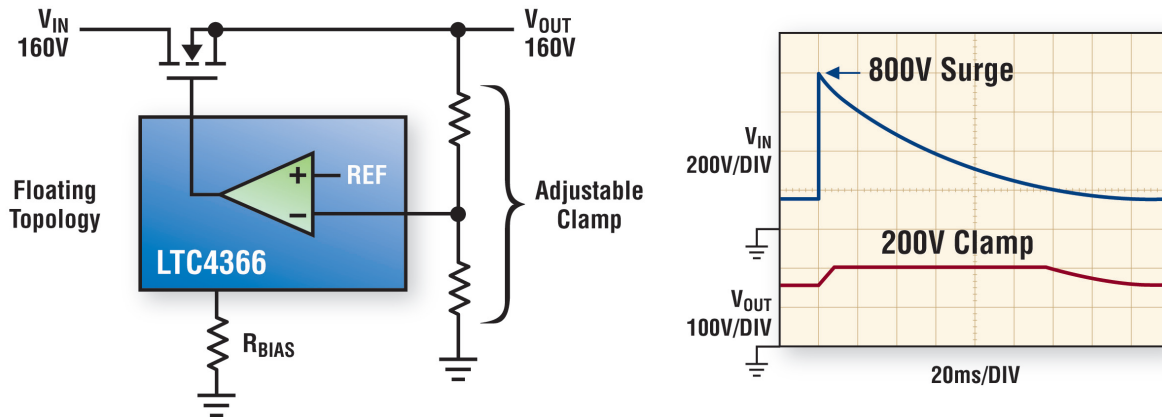




Surge Stopper



Unlimited Overvoltage Protection

In harsh industrial, automotive and military applications, systems must operate reliably through severe overvoltage events. The LTC[®]4366's adjustable floating topology is capable of extremely high voltages; the operational upper voltage is limited only by MOSFET ratings. During high voltage transient events, the LTC4366 clamps the output to a user-defined voltage, while the fault timer ensures safe shutdown of the MOSFET if the fault persists.

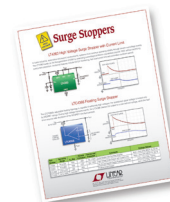
Overvoltage and Overcurrent Protection Family

Part Number	Operating Range	V _{IN} Max	Reverse Protection	Overcurrent Protection	Comments	Package Options
LT [®] 4356	4V to 80V	100V	-60V	Yes, <100V	Surge Stopper with Auxiliary Amplifier	4mm x 3mm DFN, MSOP-10, SO-16
LTC4360	2.5V to 5.5V	80V	Yes		Overvoltage Protection Controller	SC70-8
LTC4361	2.5V to 5.5V	80V	Yes	Yes	Overvoltage/Overcurrent Protection Controller	2mm x 2mm DFN, TSOT-8
LTC4362	2.5V to 5.5V	28V	Yes	1.5A	Overvoltage Protection Controller	2mm x 3mm DFN
LT4363	4V to 80V	100V	-60V	Yes, >100V	High Voltage Surge Stopper with Current Limit	4mm x 3mm DFN, MSOP-12, SO-16
LTC4365	2.5V to 34V	60V	-40V		UV, OV & Reverse Supply Protection Controller	3mm x 2mm DFN, TSOT-8
LTC4366	9V to >500V	Unlimited	Yes		Floating Surge Stopper	3mm x 2mm DFN, TSOT-8

Info & Free Samples

www.linear.com/product/LTC4366

1-800-4-LINEAR



www.linear.com/ad/4366

LT, LT, LTC, LTM, Linear Technology and the Linear logo are registered trademarks of Linear Technology Corporation. All other trademarks are the property of their respective owners.

