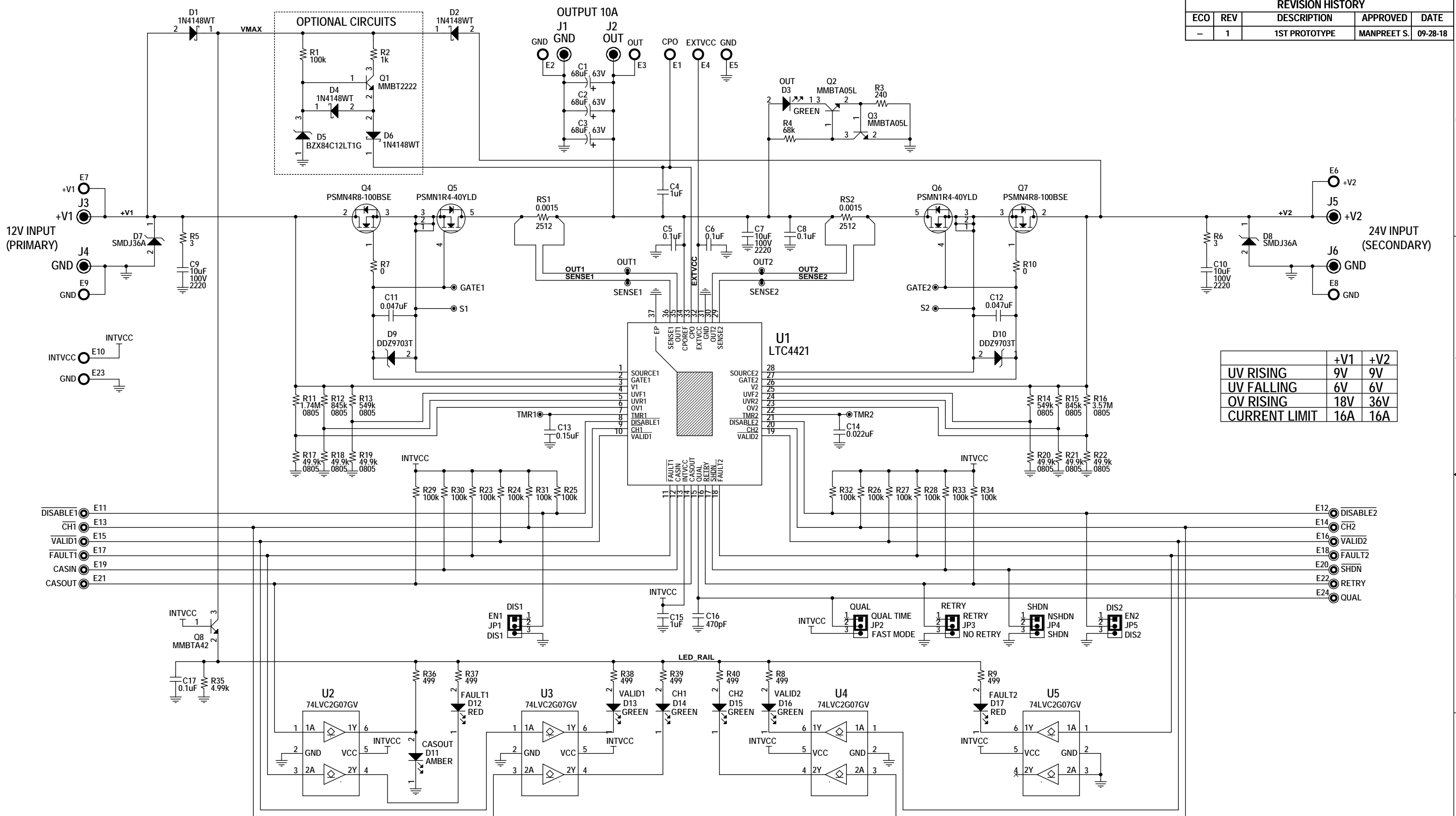


REVISION HISTORY				
ECO	REV	DESCRIPTION	APPROVED	DATE
-	1	1ST PROTOTYPE	MANPREET S.	09-28-18



	+V1	+V2
UV RISING	9V	9V
UV FALLING	6V	6V
OV RISING	18V	36V
CURRENT LIMIT	16A	16A

NOTE: UNLESS OTHERWISE SPECIFIED:

1. ALL RESISTORS AND CAPACITORS ARE 0603.
2. INSTALL SHUNTS AS SHOWN.

**CUSTOMER NOTICE**  
 ANALOG DEVICES HAS MADE A BEST EFFORT TO DESIGN A CIRCUIT THAT MEETS CUSTOMER - SUPPLIED SPECIFICATIONS; HOWEVER, IT REMAINS THE CUSTOMER'S RESPONSIBILITY TO VERIFY PROPER AND RELIABLE OPERATION IN THE ACTUAL APPLICATION. COMPONENT SUBSTITUTION AND PRINTED CIRCUIT BOARD LAYOUT MAY SIGNIFICANTLY AFFECT CIRCUIT PERFORMANCE OR RELIABILITY. CONTACT ANALOG DEVICES APPLICATIONS ENGINEERING FOR ASSISTANCE.

APPROVALS	
PCB DES.	KIM T.
APP ENG.	MANPREET S.

**ANALOG DEVICES**  
 AHEAD OF WHAT'S POSSIBLE™  
 1630 McCarthy Blvd.  
 Milpitas, CA 95035  
 Tel: (408) 432-1900  
 www.analog.com

ADI CONFIDENTIAL - FOR CUSTOMER USE ONLY  
 THIS CIRCUIT IS PROPRIETARY TO ANALOG DEVICES AND SUPPLIED FOR USE WITH ANALOG DEVICES PARTS.

SCALE = NONE
--------------

TITLE: SCHEMATIC	
DUAL CHANNEL PRIORITIZED POWERPATH CONTROLLER	
SIZE: N/A	IC NO: LTC4421IUHE
DEMO CIRCUIT 2866A	
DATE: Friday, September 28, 2018	REV. 1
SHEET 1 OF 1	