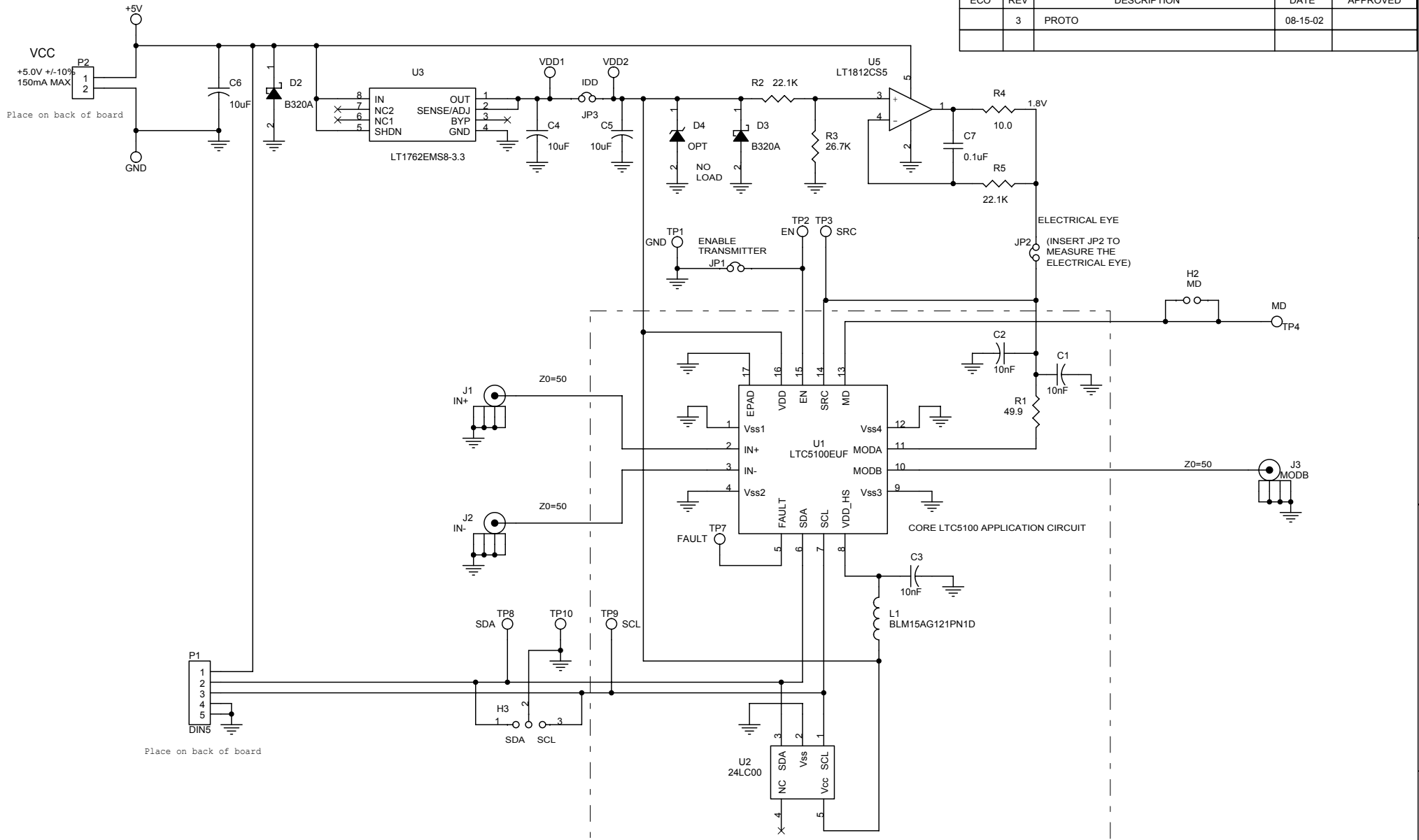


REVISION HISTORY				
ECO	REV	DESCRIPTION	DATE	APPROVED
	3	PROTO	08-15-02	



This circuit is proprietary to Linear Technology and supplied for use with Linear Technology parts.

Customer Notice: Linear Technology has made a best effort to design a circuit that meets customer-supplied specifications; however, it remains the customers responsibility to verify proper and reliable operation in the actual application. Component substitution and printed circuit board layout may significantly affect circuit performance or reliability. Contact Linear Applications Engineering for assistance.

UNLESS OTHERWISE SPECIFIED DIMENSIONS ARE IN INCHES TOLERANCE ON ANGLE --- 2 PLACES --- 3 PLACES --- INTERPRET DIM AND TOL PER ASME Y14.5M -1994	CONTRACT NO.		1630 McCarthy Blvd. Milpitas, CA 95035 Phone: (408)432-1900 Fax: (408)434-0507			
	APPROVALS	DATE				
	DRAWN	MEI	04/47/02	TITLE SCHEMATIC, LTC5100EUF LASER DRIVER		
	CHECKED	APPROVED				
ENGINEER	DESIGNER					
THIRD ANGLE PROJECTION			SIZE	CAGE CODE	DWG NO	REV
DO NOT SCALE DRAWING	Wednesday, October 29, 2003		SCALE NONE	FILENAME 499A-3.DSN	SHEET 1 OF 1	DC499A 3